

SEAL:

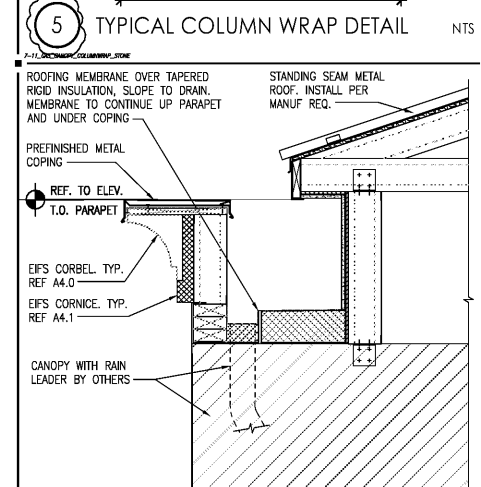
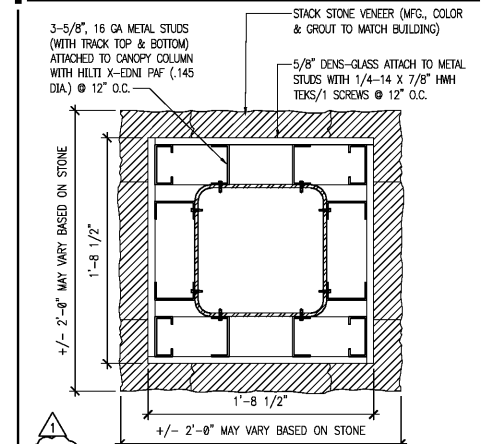
THIS DOCUMENT IS NOT
FOR REGULATORY
APPROVAL, PERMITTING,
OR CONSTRUCTION.

GENERAL NOTES

- A. COORDINATE EXTERIOR SIGNAGE WITH CONSTRUCTION PROJECT MANAGER.
- B. REFER TO MATERIAL SCHEDULE ON A3.0 FOR MORE INFORMATION.
- C. EXTERIOR AWNINGS UNDER SEPARATE PERMIT.

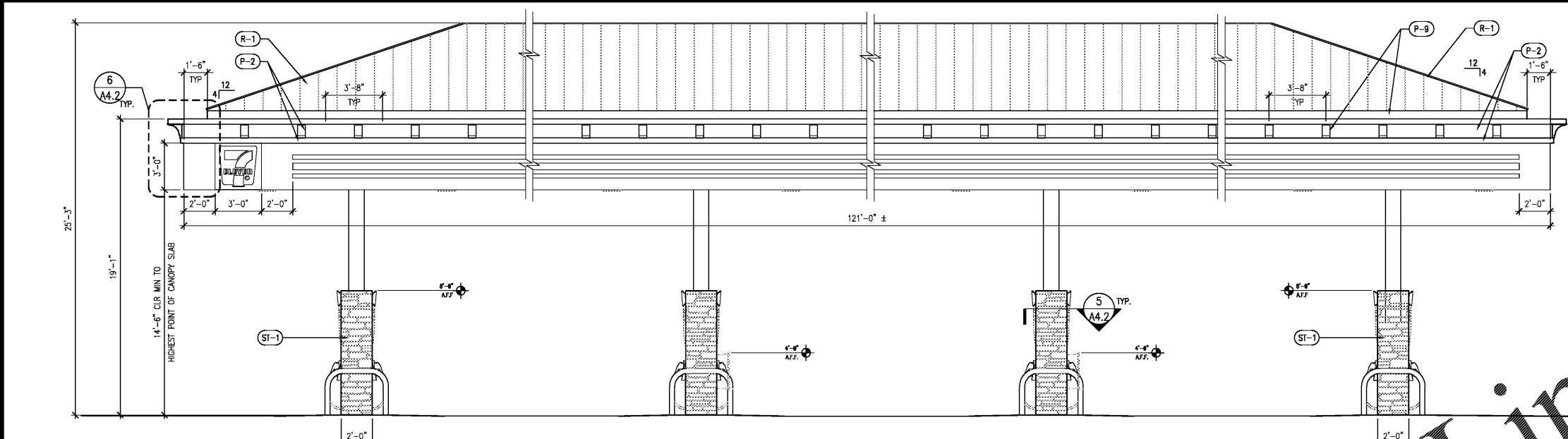
SIGNAGE AND GAS CANOPY IS UNDER SEPARATE PERMIT. VERIFY QUANTITY AND LOCATION OF SIGNAGE ALLOWED

EXTERIOR MATERIALS SCHEDULE		
(NO.)	MATERIAL	MANUF. - COLOR
MR-1	MEMBRANE ROOFING (ABOVE 3'-4")	DUROLAST - WHITE
P-1	ABOVE WATER TABLE (3'-4" AND BELOW)	SHERWIN WILLIAMS - AESTHETIC WHITE SW7035
P-2	TRIM, WATER TABLE (3'-4" AND BELOW)	SHERWIN WILLIAMS - BALANCED BEIGE SW7037
P-3	EXTERIOR HM DOORS, FRAMES, TRASH ENCLOSURE GATE, GRAVEL GAURDS, AND LIGHT POLES	SHERWIN WILLIAMS - SEAL SKIN SW7675
P-9	PIPING, ROOF CAPS AND CORNICE	SHERWIN WILLIAMS - SEAL SKIN SW7675
S-1	ALUMINUM STOREFRONT GLAZING	KAWNEER - 451 T VG DARK BRONZE
S-2	ALUMINUM STOREFRONT GLAZING	KAWNEER - 450 (2 1/4") FRAME - FLUSH GLAZED
C-1	PREFINISHED ALUMINUM CANOPY	MAPES LUMISHADE CANOPY - BRONZE BAKED ENAMEL W/ REAR GUTTER CONNECTIONS
ST-1	STACK STONE	BORAL - COUNTY LEDGE STONE - ASPEN
R-1	STANDING SEAM METAL ROOF	COLOR SIMILAR TO - BALANCED BEIGE SW7037

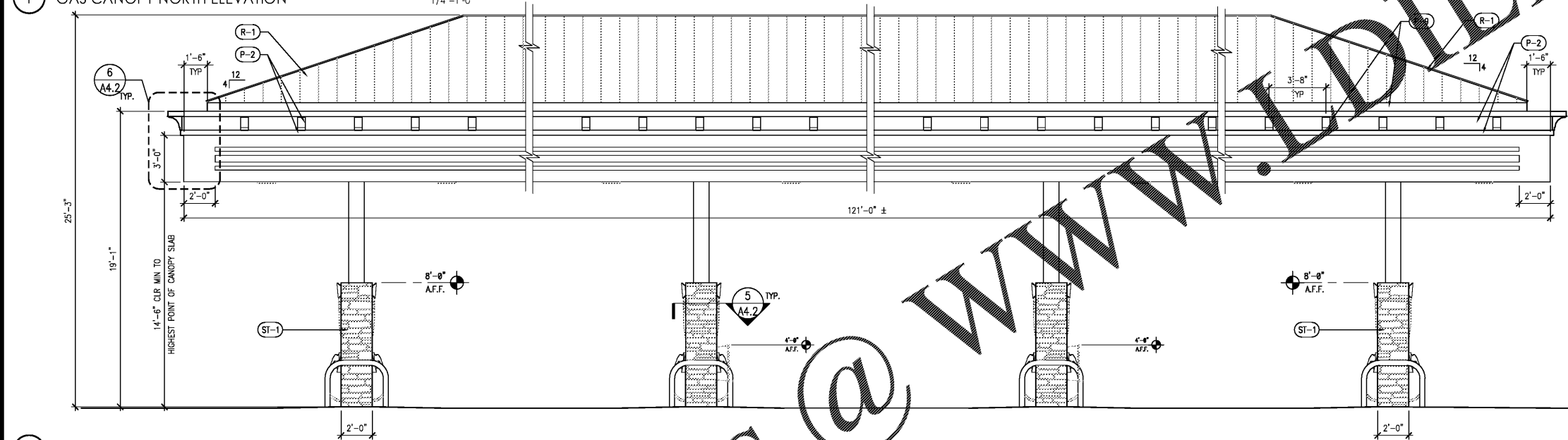


5 TYPICAL COLUMN WRAP DETAIL NTS

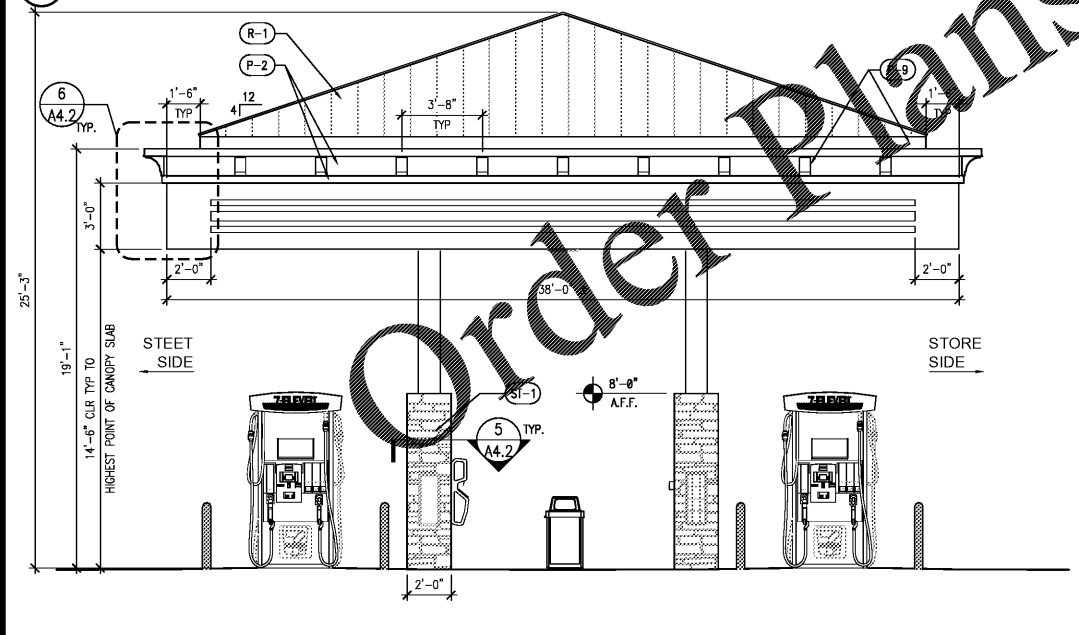
6 CANOPY GUTTER DETAIL 3/4" = 1'-0"



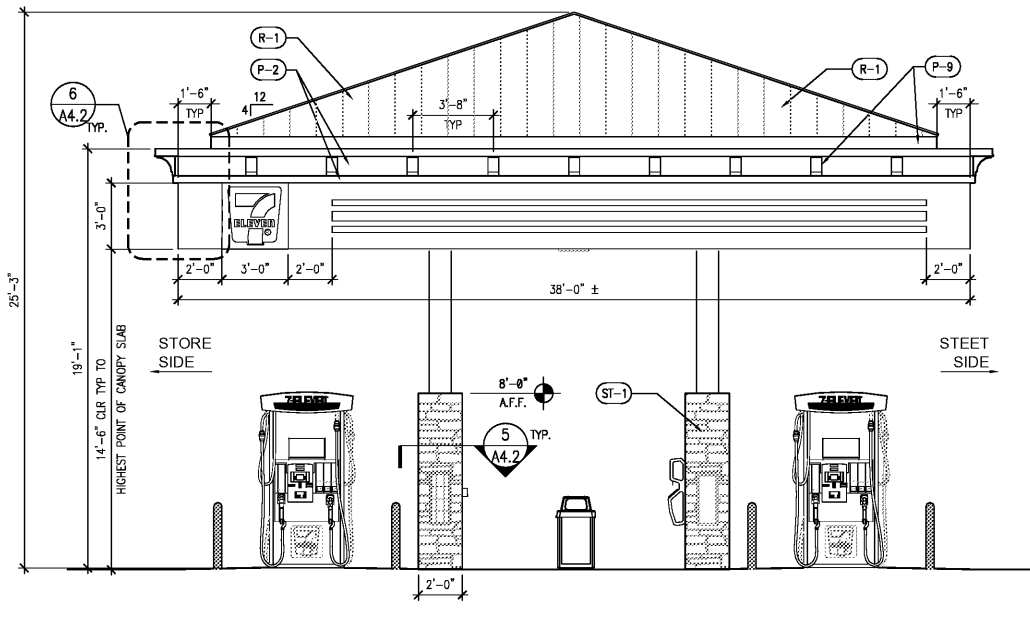
1 GAS CANOPY NORTH ELEVATION 1/4" = 1'-0"



2 GAS CANOPY SOUTH ELEVATION 1/4" = 1'-0"



3 GAS CANOPY WEST ELEVATION 1/4" = 1'-0"



4 GAS CANOPY EAST ELEVATION 1/4" = 1'-0"

Order Plans @

WWW.IDLine.com

FOR BIDDING ONLY 09/03/2020

1 04/27/20 PEER COMMENTS
NO. DATE REMARKS



7-ELEVEN
STORE #41559

1245 S. VOLUSIA AVENUE
Orange City, FL 32763

PROJECT NO: 2019.0743
DATE: APRIL 7, 2020

A4.2
GAS CANOPY ELEVATIONS

CHECKED: RW DRAWN: JM