

SEAL:

THIS DOCUMENT IS NOT
FOR REGULATORY
APPROVAL, PERMITTING,
OR CONSTRUCTION.

FOR BIDDING ONLY
09/03/2020

1 04/27/20 PEER COMMENTS
NO. DATE REMARKS

REVISIONS



7-ELEVEN
STORE #41559

1245 S. VOLUSIA AVENUE
Orlando City, FL 32763

PROJECT NO: 2019.0743
DATE: APRIL 7, 2020

A3.1
STOREFRONTS DOOR TYPES
AND SCHEDULES

CHECKED: RW DRAWN: JM

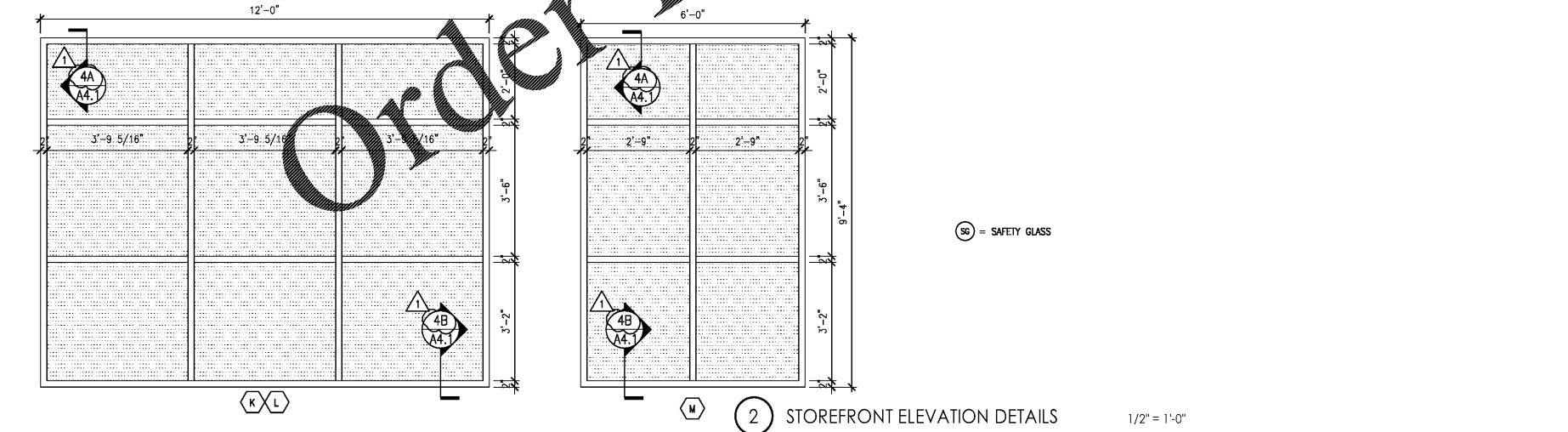
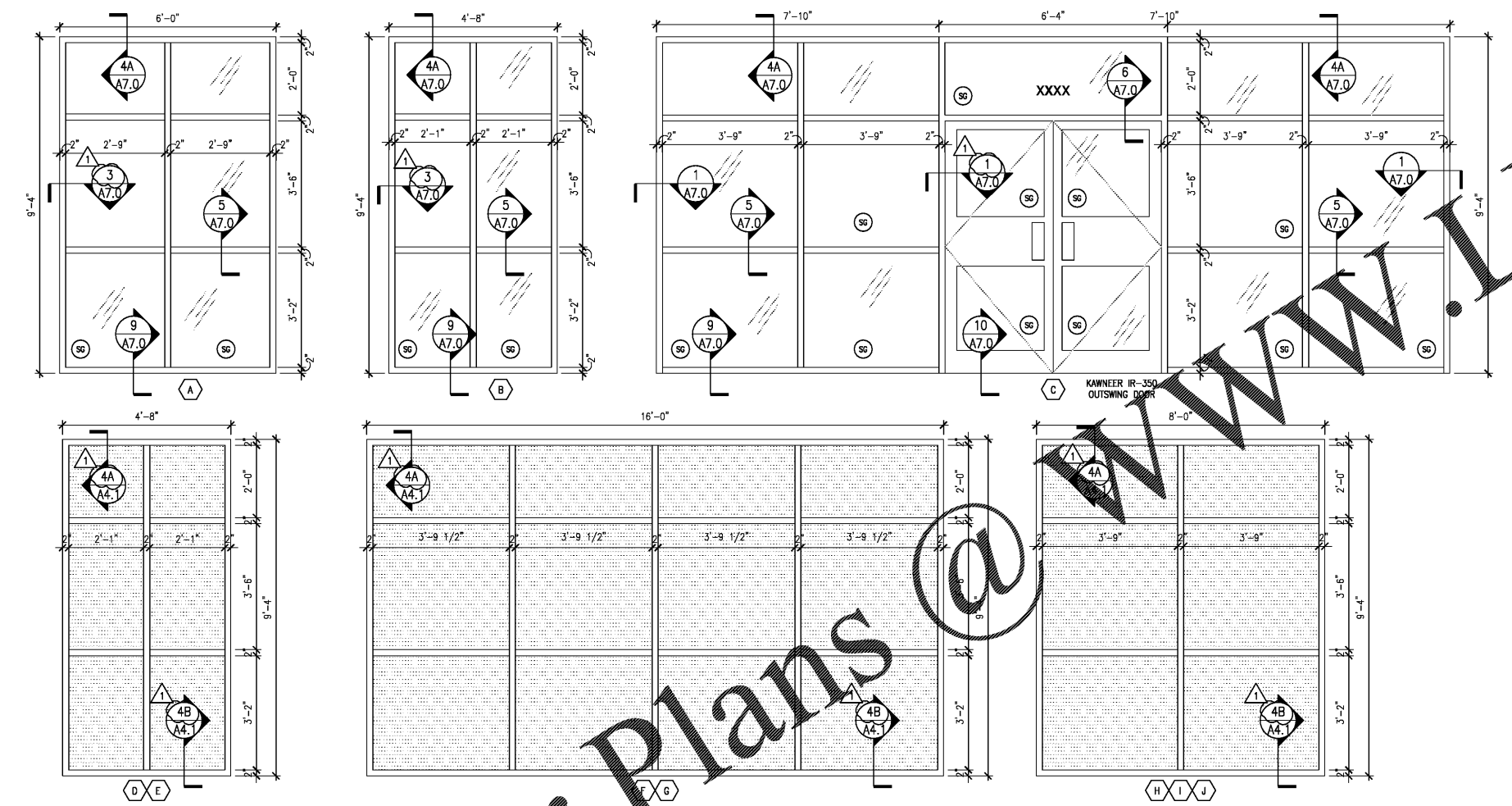
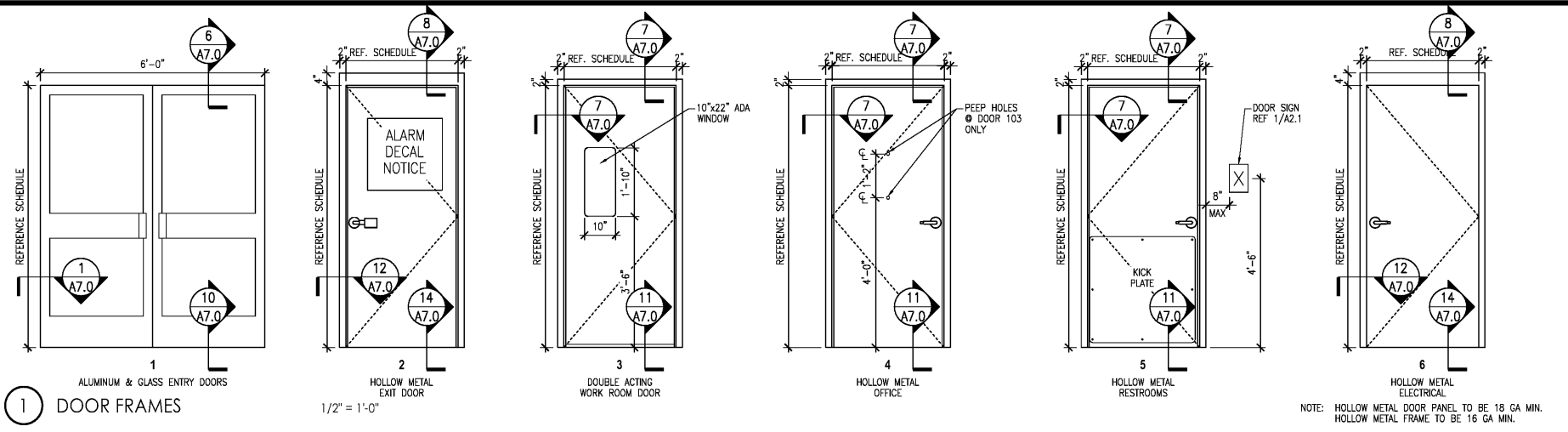
DOOR NUMBER	ROOM NAME	DOOR TYPE	HARDWARE SET	WIDTH	HEIGHT	DOOR THICKNESS				COMMENTS
						ALUMINUM & GLASS	HOLLOW METAL	ALUMINUM	METAL	
101A	MERCHANDISE	1	1	6'-0"	7'-0"	1 3/4"	X	X	X	TEMPERED GLASS LITES
101B	MERCHANDISE	2	2	3'-0"	7'-0"	1 3/4"	X	X	X	
103	OFFICE	4	4	3'-0"	7'-0"	1 3/4"	X	X	X	
104	WORK ROOM	3	3	3'-0"	7'-0"	1 3/4"	X	X	X	MULLER DOUBLE ACTING DOOR - ITEM #914 ON EF.1.0
105	WOMEN	5	5	3'-0"	7'-0"	1 3/4"	X	X	X	
106	MEN	5	5	3'-0"	7'-0"	1 3/4"	X	X	X	
107	ELECTRICAL	6	7	3'-0"	7'-0"	1 3/4"	X	X	X	

DOOR HARDWARE SCHEDULE - DOOR HARDWARE FURNISHED AND INSTALLED BY GC UNLESS NOTED OTHERWISE.

PAIR	3'-0" X 7'-0"	KAWNEER CUSTOM DOORS	HARDWARE SET NO. 1 (ENTRY DOOR)
HARDWARE LISTED BELOW IS INCLUDED WITH KAWNEER STOREFRONT AND DOORS ORDER. SEE CONTACT INFORMATION BELOW.			
1-1/2 PAIR KAWNEER STANDARD DOOR HINGES (3 PER PAIR)			
ADAMS-RITE MS 1850A DEADLOCK WITH (2) 2 1/2" X 2 1/2" X 1/2" (29.2) CYLINDERS. (ACTIVE LEAF)			
ADAMS-RITE #4085 THREE-POINT LOCK WITH (2) 2 1/2" X 2 1/2" X 1/2" (29.2) CYLINDERS. (ACTIVE LEAF)			
KAWNEER CO-9 / CP SINGLE ACTING W/ EXT. LOCK INDICATOR & SIGNAGE			
NORTON 1601 SPACE CLOSE, WITH BUSH CHECKER WITHOUT HOLD OPEN			
KAWNEER SPANDA 1/2" X 4" MILL FINISH ALUMINUM THRESHOLD			
HARDWARE SET KAWNEER CONTACT INFO.			
CONTACT: CHERYL WILKERSON CHERYL.WILKERSON@ARCOS.COM 317.711.9263 P			
STOREFRONT CONTRACTOR SHALL CONTACT CHERYL WILKERSON AND REQUEST 7-ELEVEN NATIONAL PRICING.			
HARDWARE SET NO. 2 (REAR EXIT)			
1-1/2	BUTTS	TA2714 4-1/2" X 4-1/2" NRP 26D	MCKINNEY
1 EA.	EXIT DEVICE	DETEX ALARM RECL-230D	W/ PANIC HARDWARE
1 EA.	CLOSER	4031 HEAVY DUTY AL	UNIVERSAL HARDWARE
1 SET	WEATHER STRIP	319CR	PEMKO
1 EA.	RAIN DRIP	346-C-36" ALUM	PEMKO
1 EA.	DOOR BOTTOM	216-AV-36"	PEMKO
1 EA.	THRESHOLD	170-A-36"	PEMKO
HARDWARE SET NO. 3 (WORK ROOM)			
ITEM #915 ON SHT EF.1.0			
HARDWARE SET NO. 3 (WORK ROOM AND PREP AREA)			
MUELLER DOOR CORPORATION - PROVIDED BY 7-ELEVEN AND INSTALLED BY G.C.			
HARDWARE SET NO. 4 (OFFICE)			
1-1/2	PAIR BUTTS	TA2714 4-1/2" X 4-1/2" NRP 26D	MCKINNEY
1 EA.	LOCK SET W/ DEAD BOLT & THUMB LATCH	4608L W/D212	YALE
1 EA.	STOP	FS13 W/ R14 RISER 26D	IVES
2 EA.	DOOR VIEWER	U-10348	DEFENDER SECURITY
1 EA.	CLOSER	4031 HEAVY DUTY AL	UNIVERSAL HARDWARE
2 EA.	COAT HOOK	8425	ASI
HARDWARE SET NO. 5 DOOR (RESTROOM)			
1-1/2	PAIR BUTTS	TA2714 4-1/2" X 4-1/2" NRP 26D	MCKINNEY
1 EA.	CLOSER	4031 HEAVY DUTY AL	UNIVERSAL HARDWARE
2 EA.	PUSH/PULL PLATE	107 X 70B.32D316	ROCKWOOD
HARDWARE SET NO. 7 (ELECTRICAL)			
3 PAIR	BUTTS	TA2714 4-1/2" X 4-1/2" NRP 26D	MCKINNEY
1 EA.	LOCK GUARD	LGI 32D	IVES
1 EA.	LOCK SET	8245 LNJ 26D	SARGENT
1 EA.	DRIP CAP	346-C-72" ALUM	PEMKO
1 EA.	JAMB & HEAD	319CR	PEMKO
1 EA.	WEATHER STRIP	319CR	PEMKO
2 EA.	DOOR BOTTOM	315CN	PEMKO
2 EA.	WEATHER STRIP	315CN	PEMKO
2 EA.	MEETING STILE	303AS	PEMKO
2 EA.	GASKETS		PEMKO
2 EA.	DOOR SHOE	222 AV	PEMKO
1 EA.	THRESHOLD	170-A-72"	PEMKO
1 EA.	CHAIN STOP	HD	HD
2 EA.	MANUAL FLUSH BOLT	#555 US26D	ROCKWOOD
1 EA.	DUST PROOF STRIKE	#570 US26D	ROCKWOOD

TYPE	INSULATING GLASS UNIT									FRAME	ORIENTATION	COMMENTS	KAWNEER MODEL			
	OUTDOOR LITE	INDOOR LITE	AIR SPACE	SHGC	U-FACTOR	VT	SURFACE 1 (EXTERIOR)	SURFACE 2	SURFACE 3					SURFACE 4 (INTERIOR)		
A	6MM	6MM	1/2"	.29	.50	.60	CLEAR	CLEAR	CLEAR	CLEAR 3M FILM	X	X	X	X	EAST	
B	6MM	6MM	1/2"	.29	.50	.60	CLEAR	CLEAR	CLEAR	CLEAR 3M FILM	X	X	X	X	EAST	
C	6MM	6MM	1/2"	.29	.50	.60	CLEAR	CLEAR	CLEAR	CLEAR 3M FILM	X	X	X	X	EAST	
D, E	6MM	6MM	1/2"	.29	.50	.60	CLEAR	CLEAR	CLEAR	CLEAR 3M FILM	X	X	X	X	EAST	USE 2 1/4" VENEER FRAMING - BLACK OUT WINDOW
F, G	6MM	6MM	1/2"	.29	.50	.60	CLEAR	CLEAR	CLEAR	CLEAR 3M FILM	X	X	X	X	NORTH	USE 2 1/4" VENEER FRAMING - BLACK OUT WINDOW
H, I, J	6MM	6MM	1/2"	.29	.50	.60	CLEAR	CLEAR	CLEAR	CLEAR 3M FILM	X	X	X	X	WEST	USE 2 1/4" VENEER FRAMING - BLACK OUT WINDOW
K, L	6MM	6MM	1/2"	.29	.50	.60	CLEAR	CLEAR	CLEAR	CLEAR 3M FILM	X	X	X	X	SOUTH	USE 2 1/4" VENEER FRAMING - BLACK OUT WINDOW
M	6MM	6MM	1/2"	.29	.50	.60	CLEAR	CLEAR	CLEAR	CLEAR 3M FILM	X	X	X	X	EAST	USE 2 1/4" VENEER FRAMING - BLACK OUT WINDOW

NOTE: REFERENCE MATERIAL SPECIFICATIONS FOR 3M FILM REQUIREMENTS.



SG = SAFETY GLASS

2 STOREFRONT ELEVATION DETAILS 1/2" = 1'-0"