

SEAL:

**THIS DOCUMENT IS NOT
FOR REGULATORY
APPROVAL, PERMITTING,
OR CONSTRUCTION.**

GENERAL NOTES

- A. ALL INTERIOR FINISHES TO BE CLASS 2 OR BETTER.
- B. CONTRACTOR TO FLOAT AND SCRAPE FLOOR TO BE LEVEL AND PREPARE FOR NEW SCHEDULED FINISH.
- C. CONTRACTOR TO RESERVE SPECIFIED FLOORING AND BASE UPON BEING AWARDED THE BID TO ENSURE AVAILABILITY AND TIMELY INSTALLATION. SUBSTITUTIONS ARE NOT PERMITTED.
- D. FLOORS IN WET AREAS TO SLOPE TO DRAINS 1/8" PER FOOT, TYP.
- E. PROVIDE A BEAD OF CAULK AT INTERIOR CONDITIONS PER OWNER DIRECTION AND PROJECT NEEDS. CAULK IS TO MATCH COLOR OF ADJACENT MATERIAL.
- F. REFERENCE INTERIOR ELEVATIONS FOR WALL FINISHES.
- G. REFERENCE SHEET A3.0 FOR BASE TYPES & SPECS.
- H. PROTECT SURROUNDING AREAS AND SURFACES FROM DUST, CONTACT WITH OVERSPRAY FROM DENSIFIER, PROTECTIVE SURFACE TREATMENT, & JOINT FILLER. CLEAN SURFACES FROM DUST, OIL, GREASE, CURING AGENTS, AND OTHERS THAT MAY ADVERSELY AFFECT INSTALLATION OF POLISHED CONCRETE.
- I. REFERENCE SPECIFICATION SECTION 033000 CAST-IN-PLACE CONCRETE AND 03536 POLISHED CONCRETE FLOOR FINISH DATED 02-26-2018, PROVIDED BY 7-ELEVEN, FOR ALL NEW INTERIOR CONCRETE FLOORS.

KEY NOTES

- 1. CONCRETE SLAB TO BE GROUND, SEALED, AND POLISHED WHERE INDICATED ON FINISH PLAN - REF: A3.0 FOR MATERIALS SCHEDULE. CONTROL JOINTS TO BE PROVIDED IN CONCRETE PER PLAN - REF: STRUCTURAL.
- 2. METAL THRESHOLD TO BE SET IN FULL BED OF MASTIC - SEE 14/A7.0
- 3. FLOOR SINK/DRAIN PER PLAN, REF. DETAILS ON THIS SHEET & PLUMBING DRAWINGS FOR LOCATION.
- 4. TEXTURED PORTION OF RAMP INDICATES DETECTABLE WARNING: ARMOR TILE TACTILE SURFACE, BRICK RED, SIZE AND PATTERN SUBJECT TO LOCAL AND STATE REQUIREMENTS; REF CIVIL SHEETS
- 5. REFER TO CIVIL DRAWINGS FOR EXACT REQUIREMENTS FOR RAMP, STRIPING AND TACTILE SURFACE LAYOUT.
- 6. IF SIDEWALK DEPTH IS BETWEEN 6'-0" AND 8'-0" IN FRONT OF EQUIPMENT, CURBSTOPS OR BOLLARDS MUST BE PROVIDED ON PARKING SPACE SIDE OF CURB. TYP.
- 7. CONTROL/CONSTRUCTION JOINTS - SEE STRUCTURAL DWGS.

FLOOR FINISH LEGEND

- SEALED CONCRETE (SC-), RE: A3.0 FOR FINISH SCHEDULE
- (SC-1) = GRIND, SEAL AND POLISH CONCRETE
- (SC-2) = ONLY GRIND AND SEAL CONCRETE
- (SC-3) = ONLY SEAL CONCRETE
- FLOOR SINK
- FLOOR DRAIN
- FLOOR CLEAN-OUT

FOR BIDDING ONLY
09/03/2020

NO.	DATE	REVISIONS
1	04/27/20	PEER COMMENTS



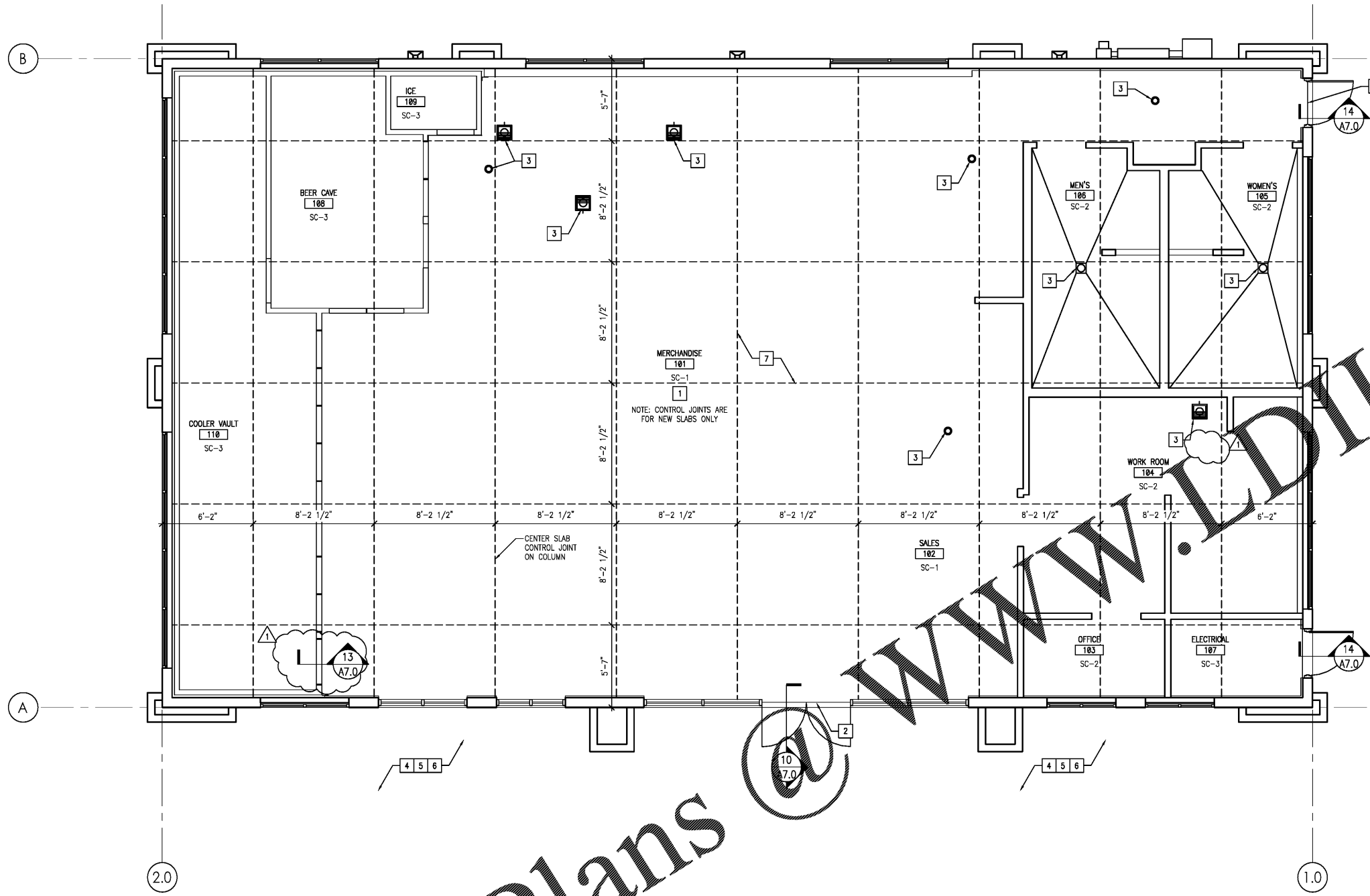
**7-ELEVEN
STORE #41559**

1245 S. VOLUSIA AVENUE
Orlando, FL 32763

PROJECT NO: 2019.0743
DATE: APRIL 7, 2020

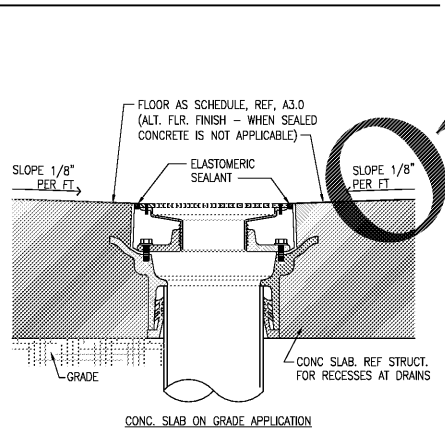
A2.4
FINISH FLOOR PLAN

CHECKED: RW DRAWN: JM

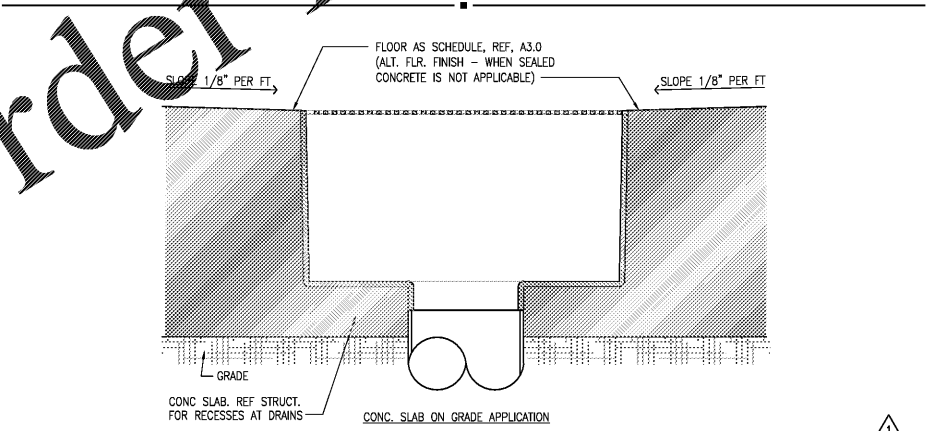


FINISH FLOOR PLAN

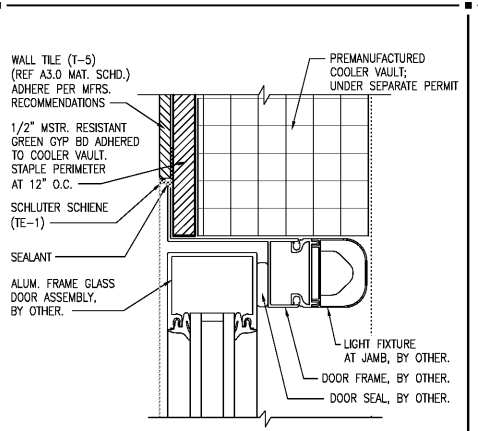
1/4" = 1'-0"



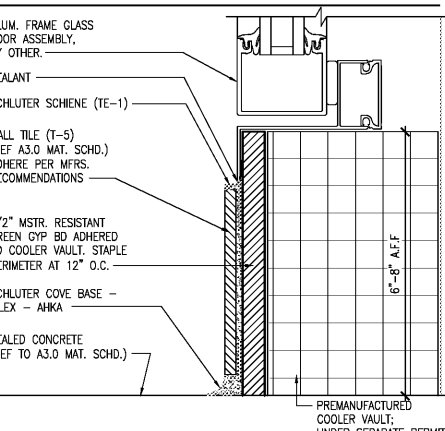
1 FLOOR DRAIN DETAIL 3" = 1'-0"



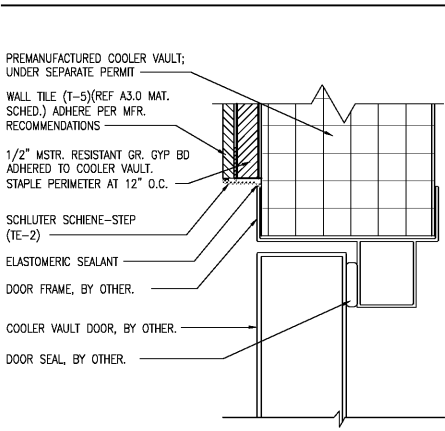
2 FLOOR SINK DETAIL (FLUSH) 3" = 1'-0"



3 TILE/COOLER MERCHANDISE DOOR TRANSITION HEAD/JAMB DTL. NTS



4 TILE/COOLER MERCHANDISE DOOR TRANSITION BASE DTL. NTS



5 TILE/COOLER MAN DOOR TRANSITION HEAD/JAMB DTL. NTS

Order Plans

WWW.DILine.com