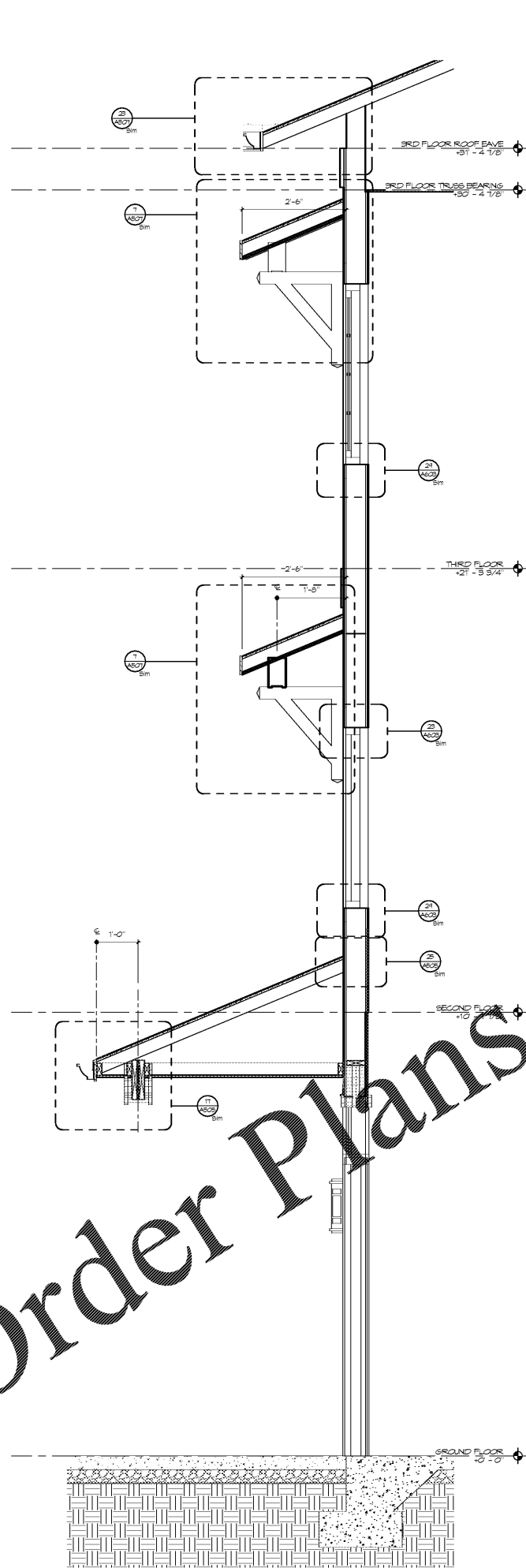
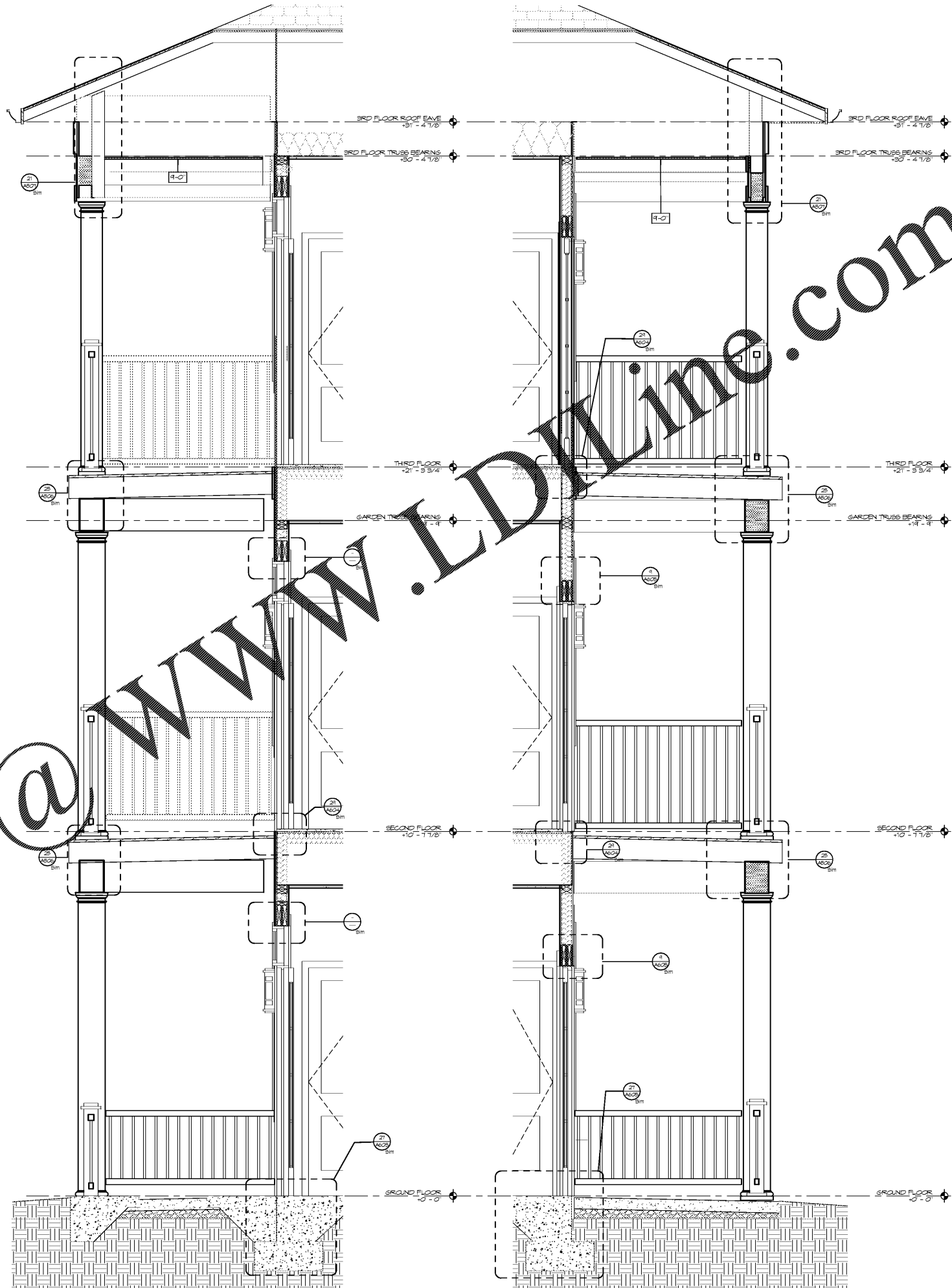


Order Plans



25 BREEZEWAY ENTRY SECTION  
SCALE 3/4" = 1'-0"



27 BUILDING MA - SECTION 4  
SCALE 3/4" = 1'-0"

29 BUILDING MA - SECTION 3  
SCALE 3/4" = 1'-0"



Architecture Planning Interiors Research  
50 South B.B. King Boulevard  
Memphis, Tennessee 38103  
Telephone 901 521 1440  
Fax 901 525 2760  
E-mail info@lrk.com

Client:  
**McCormack Baron Salazar**

720 Olive St Suite 2500  
St. Louis, MO 63101

Issues and Revisions

Date	Issued / Revised
3/16/2020	50% CONSTRUCTION DOCS
5/18/2020	80% CONSTRUCTION DOCS
7/13/2020	PERMIT SUBMISSION

BUILDING ADDRESSES

TYPE G-2	442, 444, 446, 448 RATLIFF LANE
TYPE G-2	324, 236, 238, 330 SHAWMEL PLACE
TYPE G-2	378, 448 VANCE AVE
TYPE G-2	316, 304 FOOT LANE
TYPE G-2	388 S DANNY THOMAS BLVD
TYPE G-2	368, 481 VANCE AVE
TYPE G-2	378 SHAWMEL PLACE
TYPE G-2	321 SHAWMEL PLACE
TYPE G-2	400, 380 FOOT LANE
TYPE G-2	345 S DANNY THOMAS BLVD
TYPE G-2	402, 406 FOOT LANE

©2020 LRK Inc.  
Drawings, written material, and design concepts shall not be used or reproduced in whole or part in any form or format without prior written consent of LRK Inc. Do not scale drawings. Use given dimensions only. If not shown, verify correct dimensions with the Architect. Contractor shall check and verify all dimensions and conditions of job site.

Seal



LRK Project Number: 01.15100.43

Project Name:  
**South City CNI Phase 4**  
Memphis TN

Drawing Name:  
**WALL SECTIONS**

Drawn By: ADB  
Checked By: HJU

MA-A301