

GENERAL NOTES:
A. ALL HORIZONTAL SANITARY CONNECTIONS SHALL BE MORE THAN 10 PIPE DIAMETERS FROM A VERTICAL WASTE STACK BASE.



Architecture Planning Interiors Research
50 South B.B. King Boulevard
Memphis, Tennessee 38103
Telephone 901 521 1440
Fax 901 525 2760
E-mail info@lrk.com

Client:
McCormack Baron Salazar

720 Olive St, Suite 2500
St. Louis, MO 63101

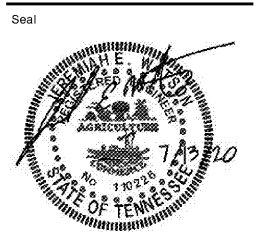
Issues and Revisions

Date	Issued / Revised
03/16/2020	50% CONSTRUCTION DOCUMENTS
05/18/2020	80% CONSTRUCTION DOCUMENTS
07/13/2020	PERMIT

BUILDING ADDRESSES

TYPE E.B.	442, 444, 446, 448 BATHURST LANE
TYPE H.A.	324, 236, 238, 330 ISHMAEL PLACE
TYPE L.A.	343, 440 VANCE AVE
TYPE L.C.	315, 364 FOOTE LANE
TYPE L.E.	363 S DANNY THOMAS BLVD
TYPE L.F.	365, 431 VANCE AVE
TYPE L.G.	313 ISHMAEL PLACE
TYPE L.H.	327 ISHMAEL PLACE
TYPE L.I.	420, 503 FOOTE LANE
TYPE L.J.	340 S DANNY THOMAS BLVD
TYPE L.K.	402, 428 FOOTE LANE

©2020 LRK Inc.
Drawings, written material, and design concepts shall not be used or reproduced in whole or part in any form or format without prior written consent of LRK Inc. Do not scale drawings. Use given dimensions only. If not shown, verify correct dimensions with the Architect. Contractor shall check and verify all dimensions and conditions at job



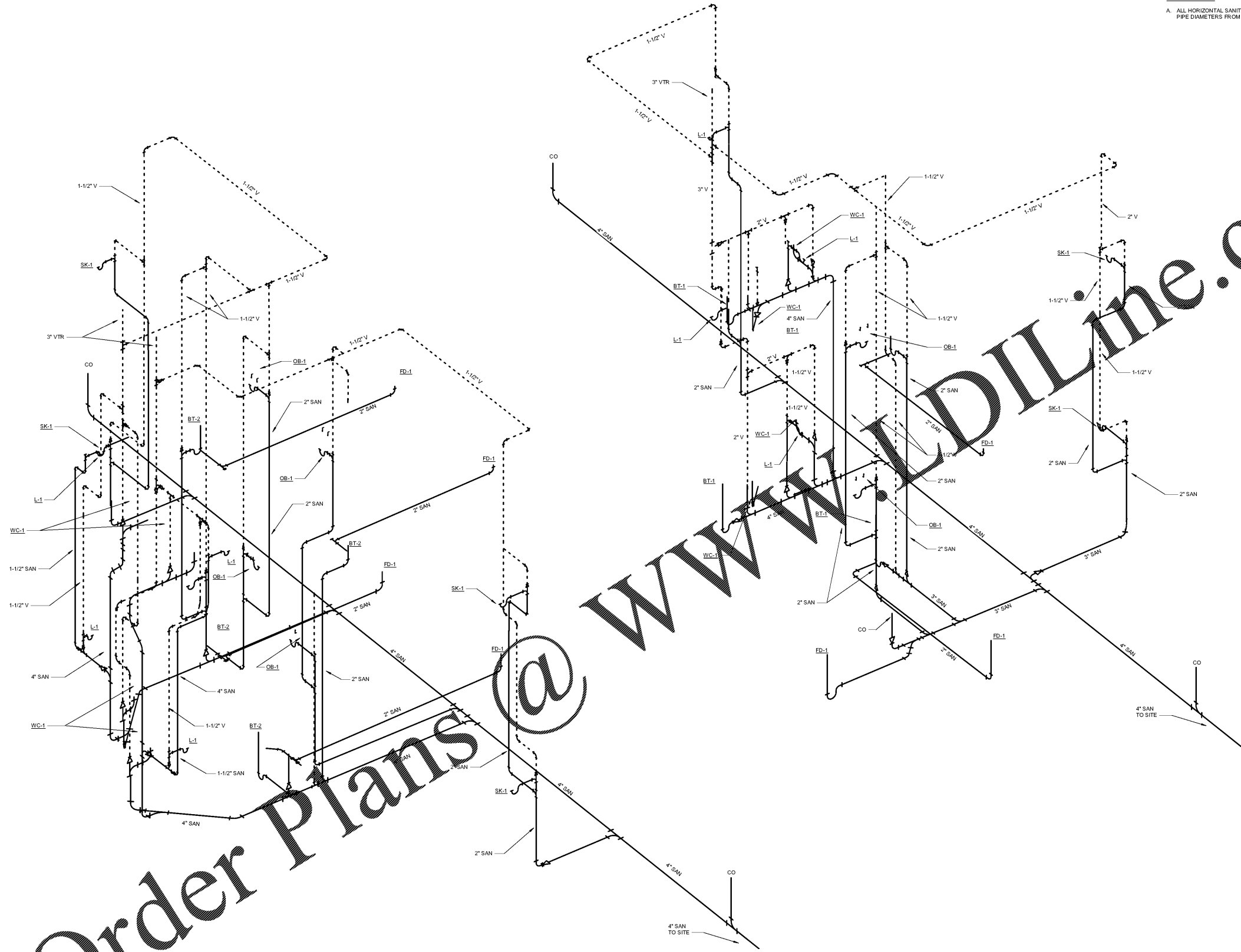
LRK Project Number: 01.15100.42

Project Name:
South City CNI Phase 4
Memphis TN

Drawing Name:
PLUMBING BUILDING I-C ISOMETRIC PLAN

Drawn By: EDM
Checked By: JEW

IC-P204



1 PLUMBING ISOMETRIC BUILDING I-C

Order Plans @

WWW.DIline.com