



Architecture Planning Interiors Research
50 South B.B. King Boulevard
Memphis, Tennessee 38103
Telephone 901 521 1440
Fax 901 525 2760
E-mail info@lrk.com

Client:
McCormack Baron Salazar

720 Olive St Suite 2500
St. Louis, MO 63101

Issues and Revisions

| Date | Issued / Revised |
|-----------|-----------------------|
| 3/16/2020 | 50% CONSTRUCTION DOCS |
| 5/18/2020 | 80% CONSTRUCTION DOCS |
| 7/13/2020 | PERMIT SUBMISSION |

BUILDING ADDRESSES

| | |
|----------|---------------------------------|
| TYPE G-2 | 442, 444, 446, 448 RATLIFF LANE |
| TYPE G-3 | 324, 236, 238, 330 SHAWEL PLACE |
| TYPE L-1 | 378, 448 VANCE AVE |
| TYPE L-2 | 316, 304 FOOT LANE |
| TYPE L-3 | 388, 481 VANCE AVE |
| TYPE L-4 | 378 SHAWEL PLACE |
| TYPE L-5 | 321 SHAWEL PLACE |
| TYPE L-6 | 450, 380 FOOT LANE |
| TYPE L-7 | 345 S DANNY THOMAS BLVD |
| TYPE L-8 | 402, 406 FOOT LANE |

©2020 LRK Inc.
Drawings, written material, and design concepts shall not be used or reproduced in whole or part in any form or format without prior written consent of LRK Inc. Do not scale drawings. Use given dimensions only. If not shown, verify correct dimensions with the Architect. Contractor shall check and verify all dimensions and conditions at job site.

Seal



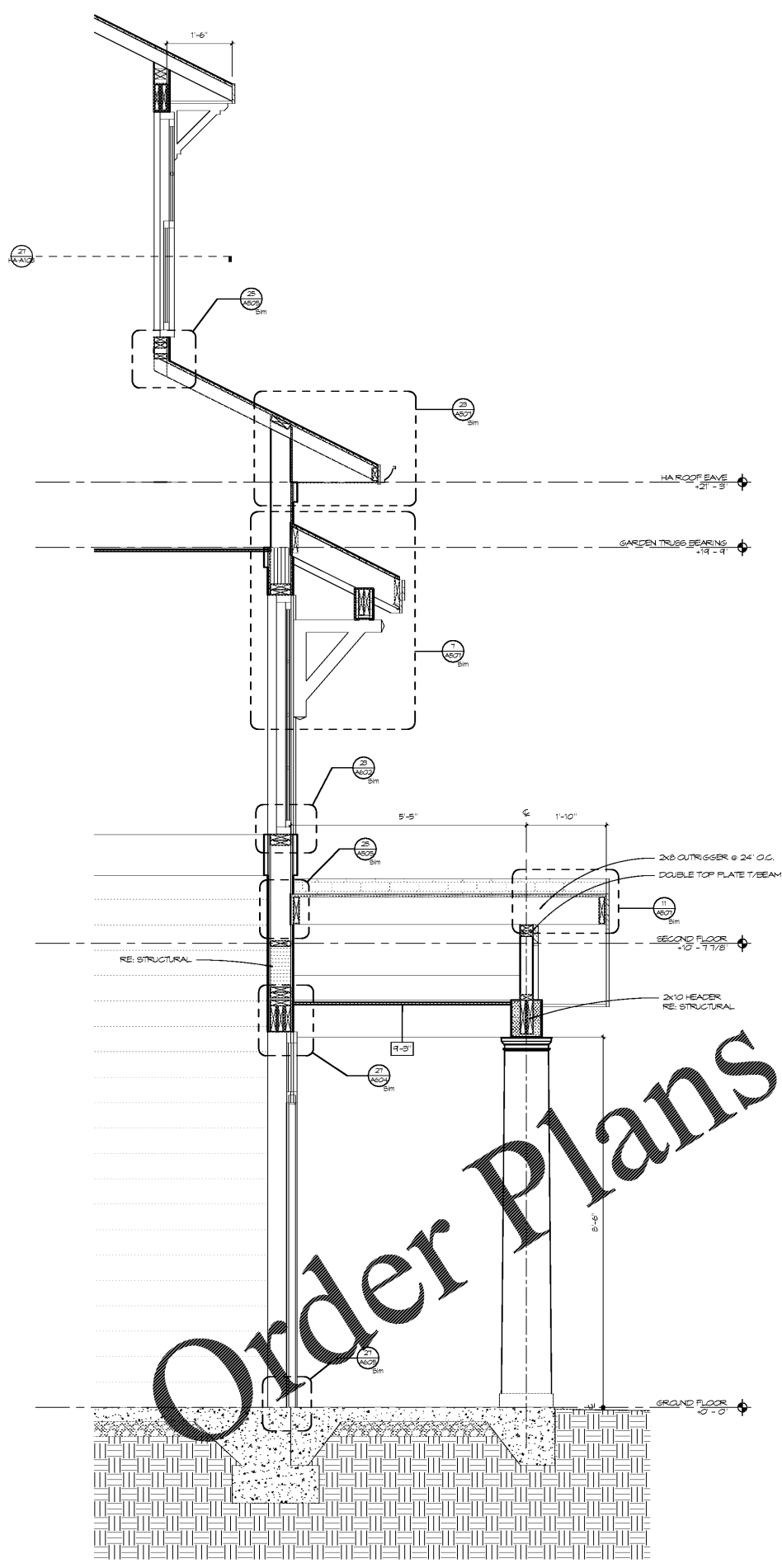
LRK Project Number: 01.15100.43

Project Name:
South City CNI Phase 4
Memphis TN

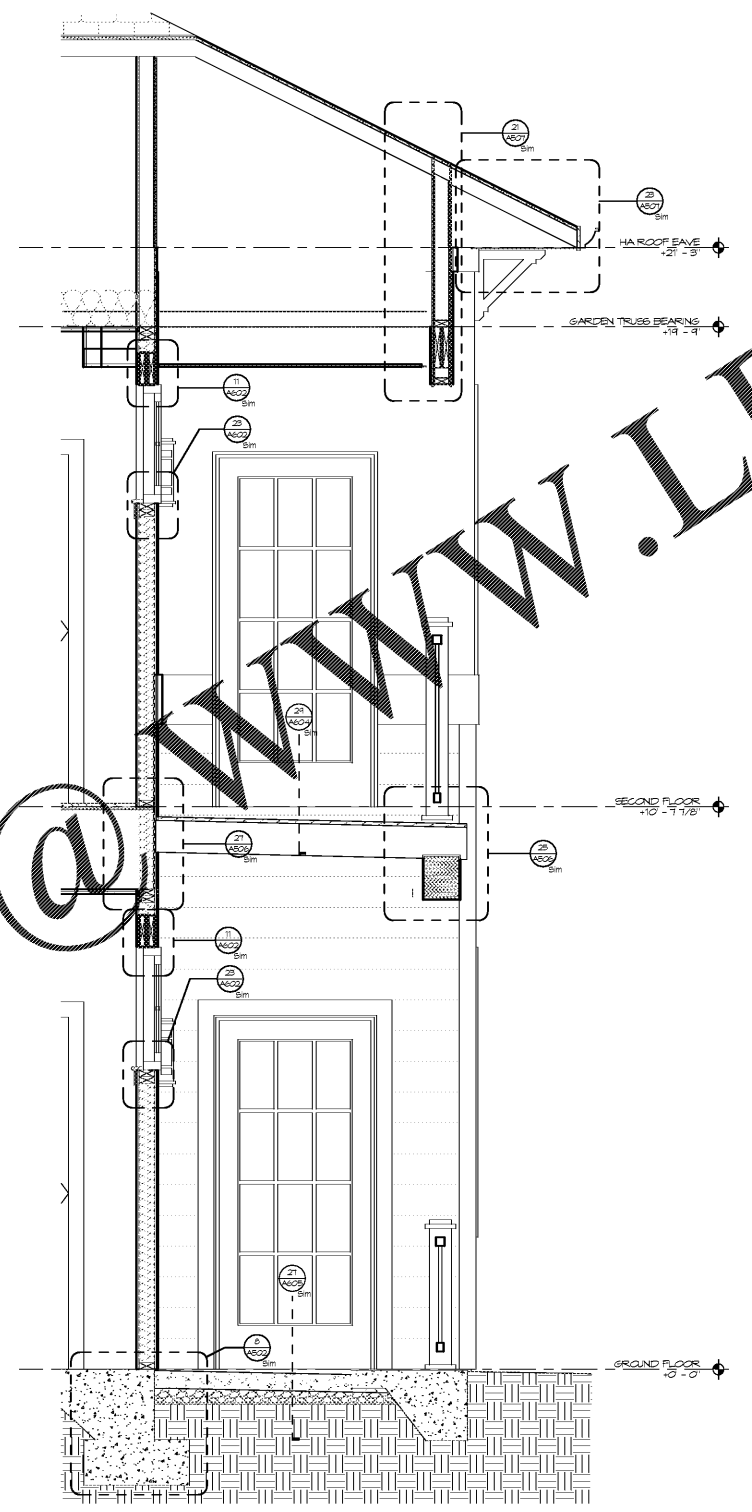
Drawing Name:
WALL SECTIONS

Drawn By: ADB
Checked By: HLU

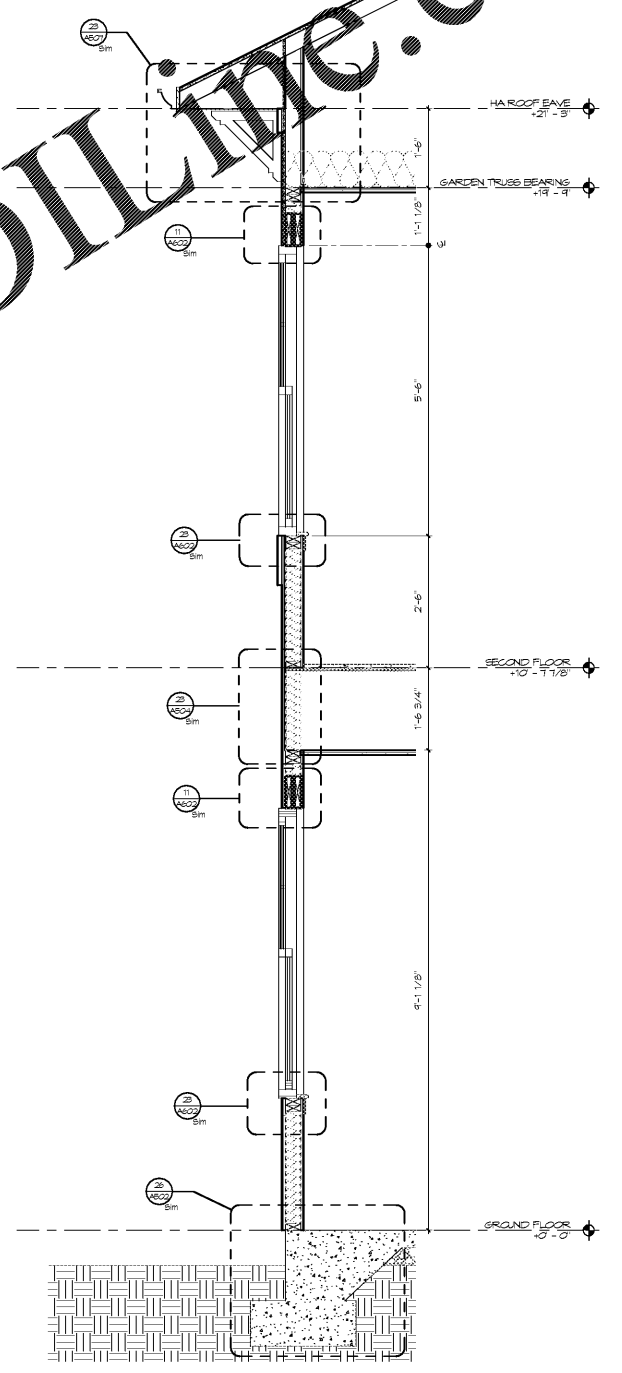
HA-A301



25 HA WALL SECTION 3
SCALE: 3/4" = 1'-0"



27 HA WALL SECTION 2
SCALE: 3/4" = 1'-0"



29 HA WALL SECTION 1
SCALE: 3/4" = 1'-0"

Order Plans

www.LDILLINE.com