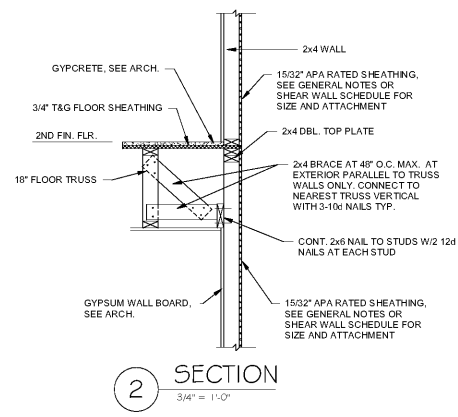
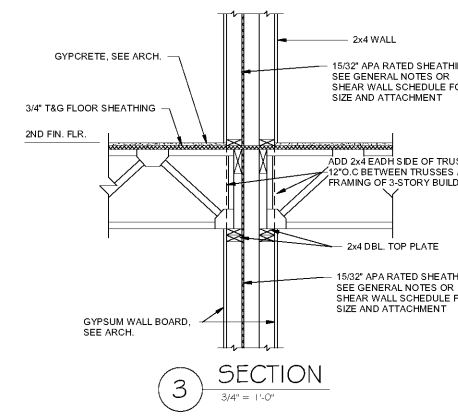


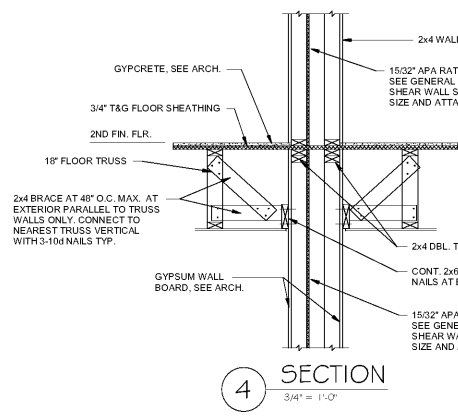
SECTION 1
3/4" = 1'-0"



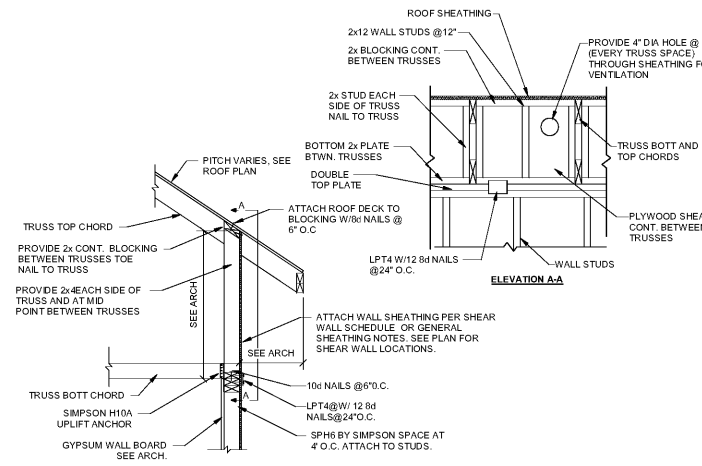
SECTION 2
3/4" = 1'-0"



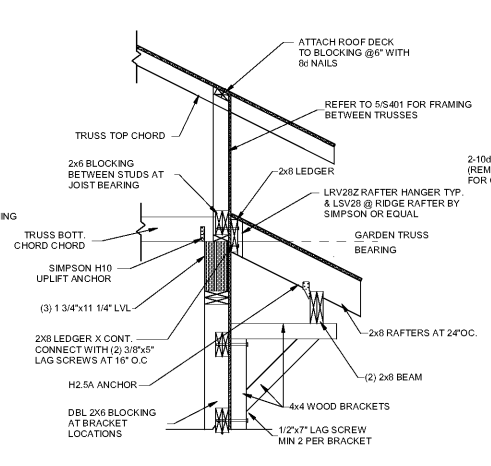
SECTION 3
3/4" = 1'-0"



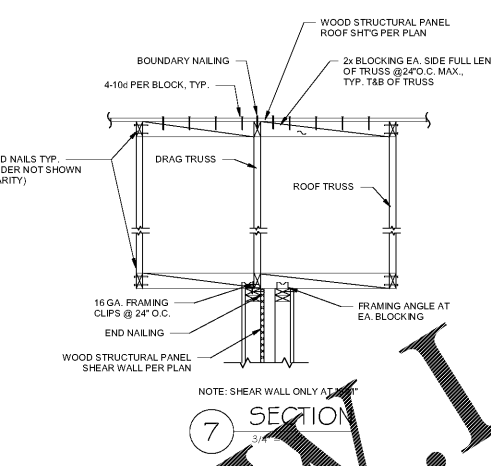
SECTION 4
3/4" = 1'-0"



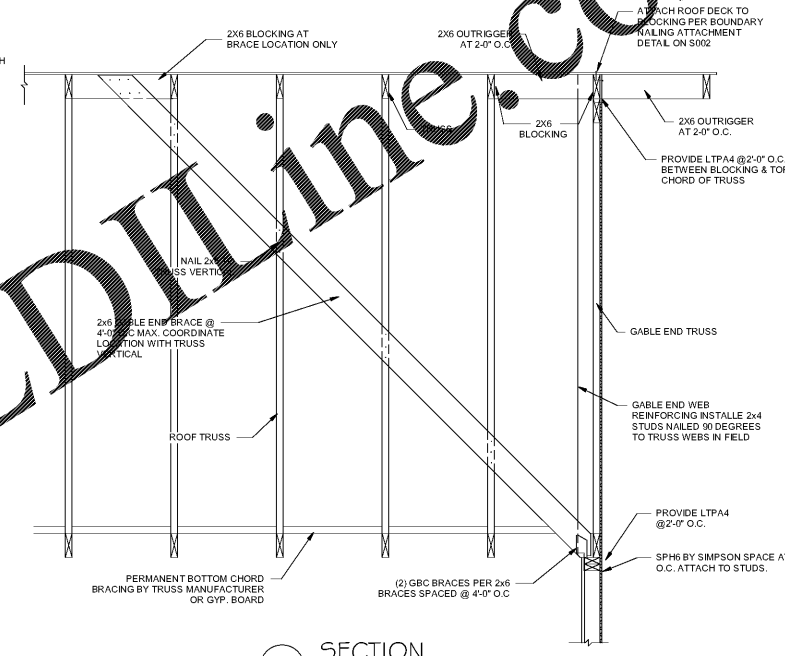
SECTION 5
3/4" = 1'-0"



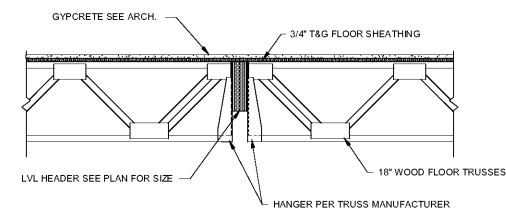
SECTION 6
3/4" = 1'-0"



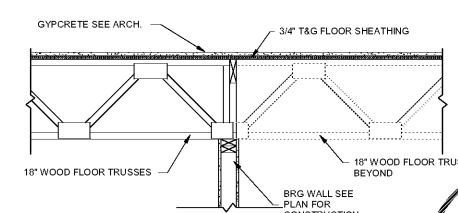
SECTION 7
3/4" = 1'-0"



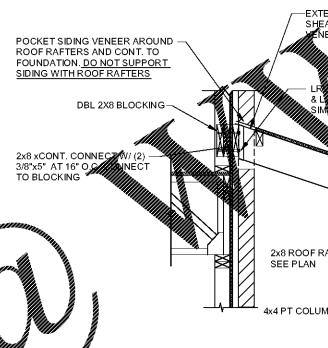
SECTION 8
3/4" = 1'-0"



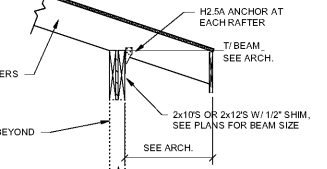
SECTION 9
3/4" = 1'-0"



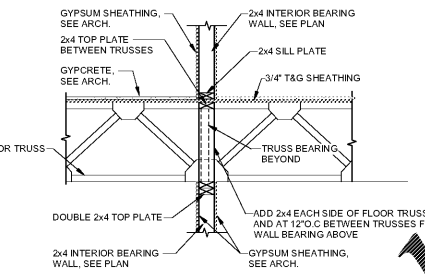
SECTION 10
3/4" = 1'-0"



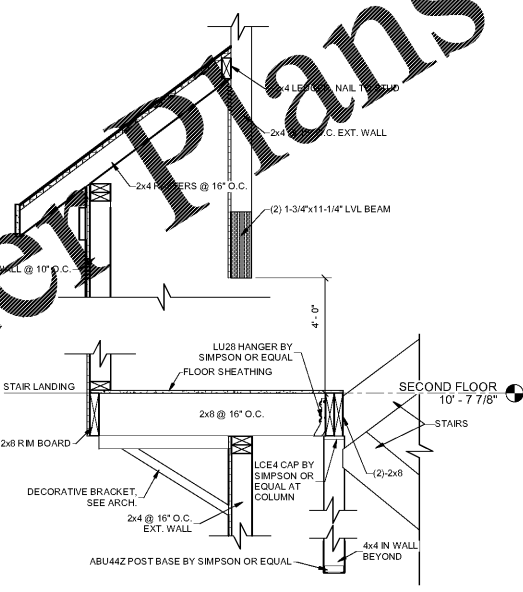
SECTION 11
3/4" = 1'-0"



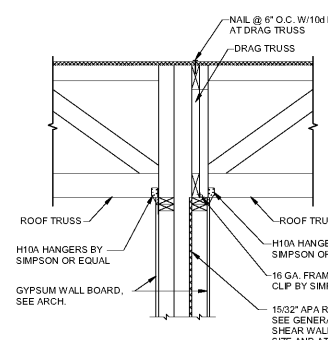
SECTION 12
3/4" = 1'-0"



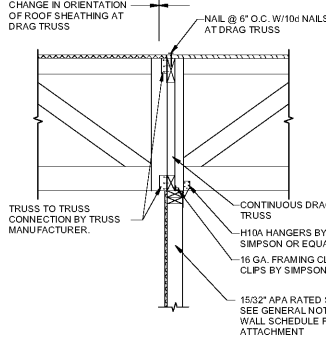
SECTION 13
3/4" = 1'-0"



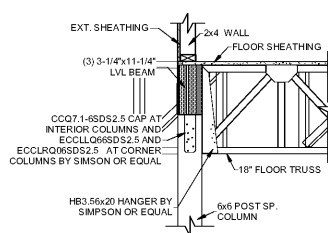
SECTION 14
1" = 1'-0"



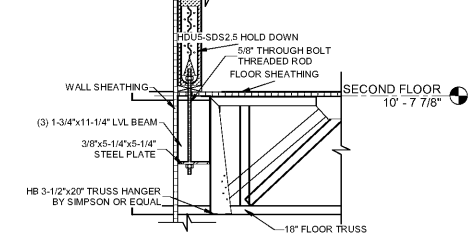
SECTION 15
3/4" = 1'-0"



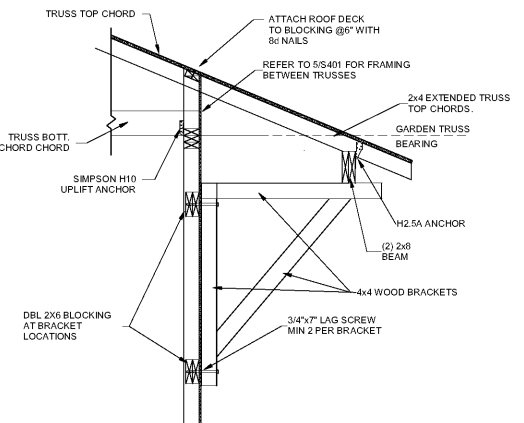
SECTION 17
3/4" = 1'-0"



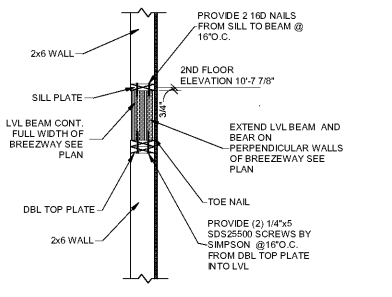
SECTION 16
3/4" = 1'-0"



SECTION 18
1" = 1'-0"



SECTION 19
3/4" = 1'-0"



SECTION 20
3/4" = 1'-0"



Architecture Planning Interiors Research
50 South B.B. King Boulevard
Memphis, Tennessee 38103
Telephone 901.521.1440
Fax 901.525.2760
E-mail info@lrk.com

Client:
McCormack Baron Salazar

720 Olive St Suite 2500
St. Louis, MO 63101

Issues and Revisions

Date	Issued / Revised
3/16/2020	50% C.D.
5/15/2020	80% C.D.
7/13/2020	Permit Submission

BUILDING ADDRESSES

TYPE	ADDRESS
TYPE 01	442, 444, 446, 448 RATLIFF LANE
TYPE 02	374, 236, 238, 330 SHAWNEE PLACE
TYPE 03	316, 354 FOOTE LANE
TYPE 04	353 S DANNY THOMAS BLVD
TYPE 05	365, 431 VANCE AVE
TYPE 06	313 SHAWNEE PLACE
TYPE 07	377 SHAWNEE PLACE
TYPE 08	420, 353 FOOTE LANE
TYPE 09	346 S DANNY THOMAS BLVD
TYPE 10	402, 428 FOOTE LANE

©2020 LRK Inc.
Drawings, written material, and design concepts shall not be used or reproduced in whole or part in any form or format without prior written consent of LRK Inc. Do not scale drawings. Use given dimensions only. If not shown, verify correct dimensions with the Architect. Contractor shall check and verify all dimensions and conditions at job site.



LRK Project Number: 01.15100.43

Project Name:
South City CNI Phase 4
Memphis, TN

Drawing Name:
SECTIONS AND DETAILS

Drawn By: MAC
Checked By: KEM

S401