



Architecture Planning Interiors Research  
50 South B.B. King Boulevard  
Memphis, Tennessee 38103  
Telephone 901 521 1440  
Fax 901 525 2760  
E-mail info@lrk.com

Client:  
**McCormack Baron Salazar**

720 Olive St Suite 2500  
St. Louis, MO 63101

Date	Issued / Revised
3/16/2020	50% C.D.
5/15/2020	80% C.D.
7/13/2020	Permit Submission

TYPE G.E.	ADDRESS
TYPE G.E.	442, 444, 446, 448 BATHURF LANE
TYPE H.A.	224, 226, 228, 230 SHWAEI PLACE
TYPE H.A.	373, 440 VANCE AVE
TYPE H.A.	315, 364 FOOTE LANE
TYPE H.A.	333 S DANNY THOMAS BLVD
TYPE L.C.	365, 431 VANCE AVE
TYPE L.C.	313 SHWAEI PLACE
TYPE L.A.	337 SHWAEI PLACE
TYPE L.A.	420, 525 FOOTE LANE
TYPE M.A.	340 S DANNY THOMAS BLVD
TYPE M.A.	402, 426 FOOTE LANE

©2020 LRK Inc.  
Drawings, written material, and design concepts shall not be used or reproduced in whole or part in any form or format without prior written consent of LRK Inc. Do not scale drawings. Use given dimensions only. If not shown, verify correct dimensions with the Architect. Contractor shall check and verify all dimensions and conditions at job site.

Seal



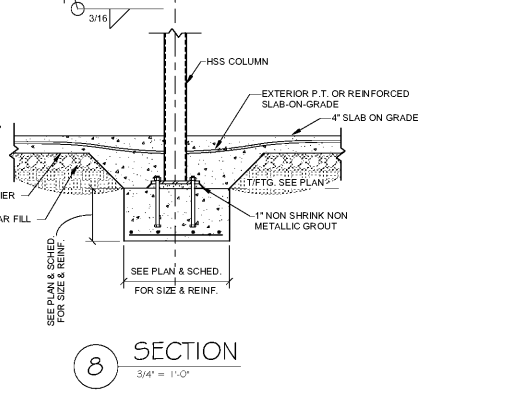
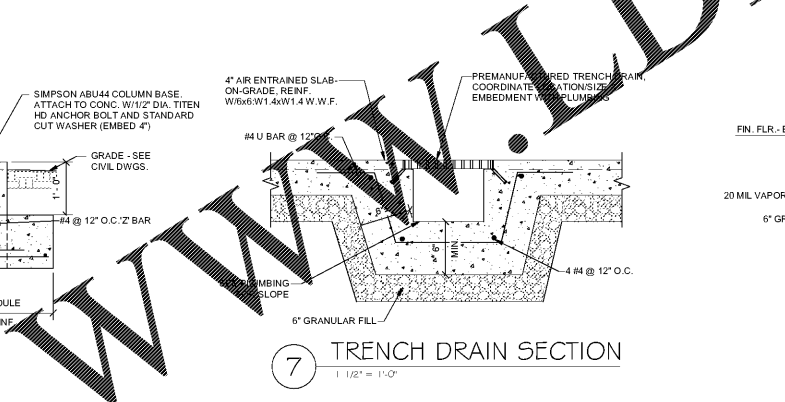
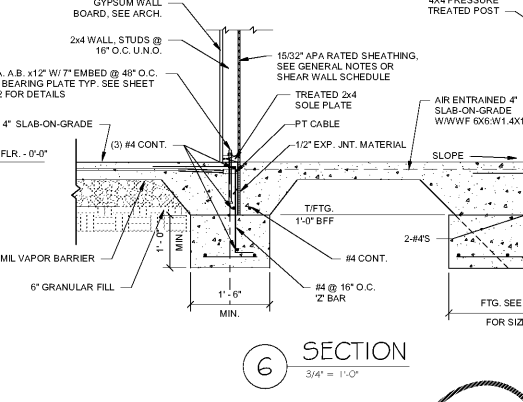
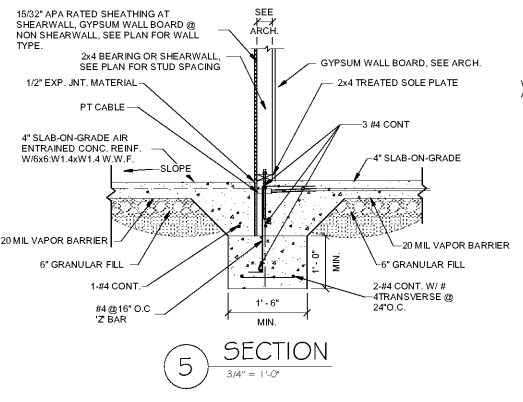
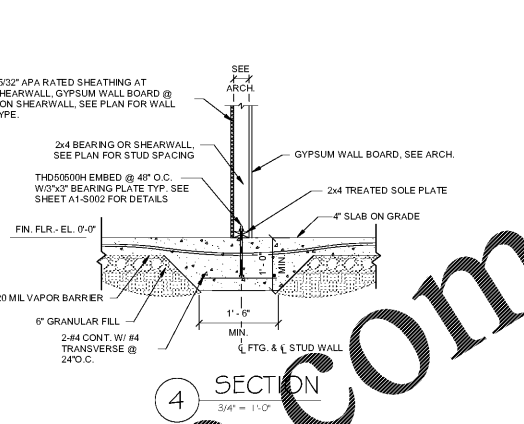
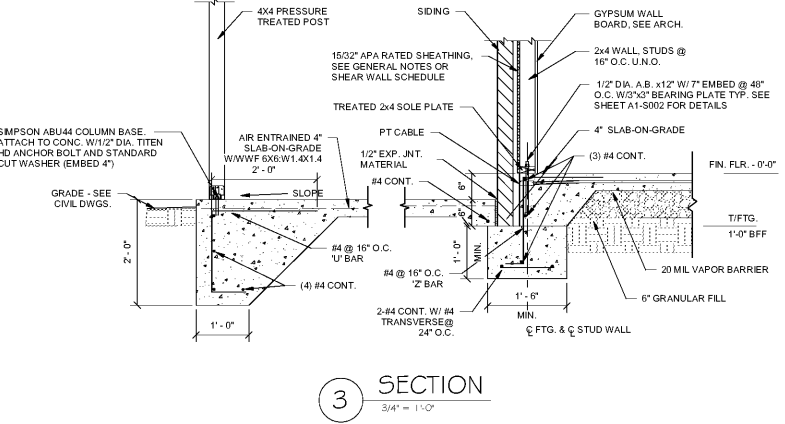
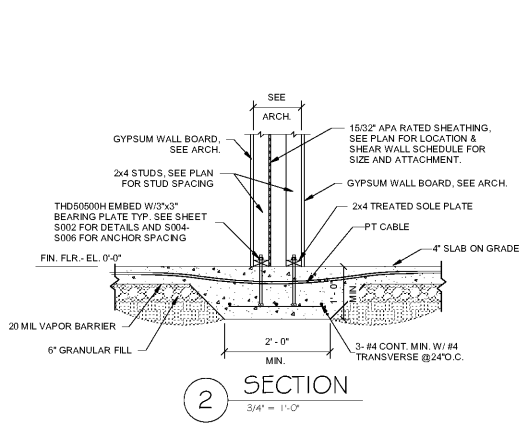
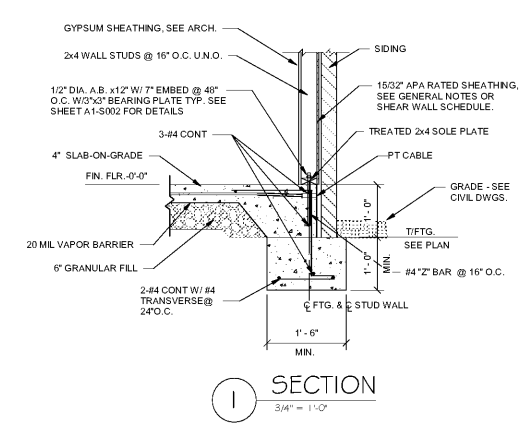
LRK Project Number: 01.15100.43

Project Name:  
**South City CNI Phase 4**  
Memphis, TN

Drawing Name:  
**SECTIONS AND DETAILS**

Drawn By: MAC  
Checked By: KEM

**S400**



Order Plans @

WWW.DIline.com