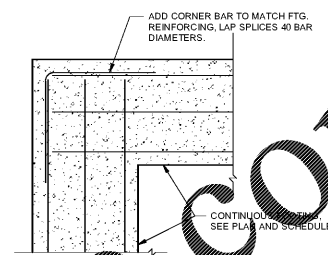
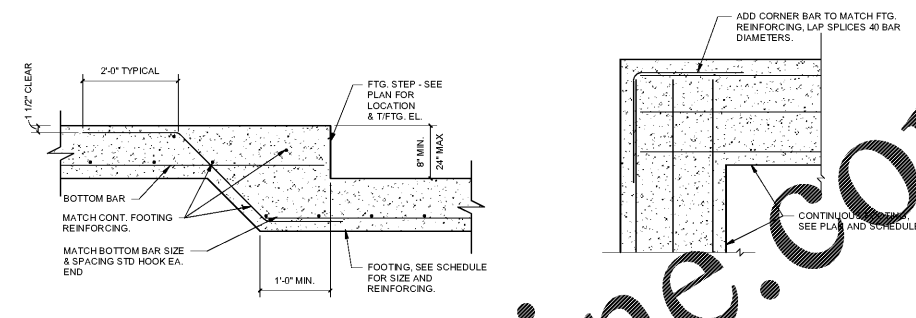
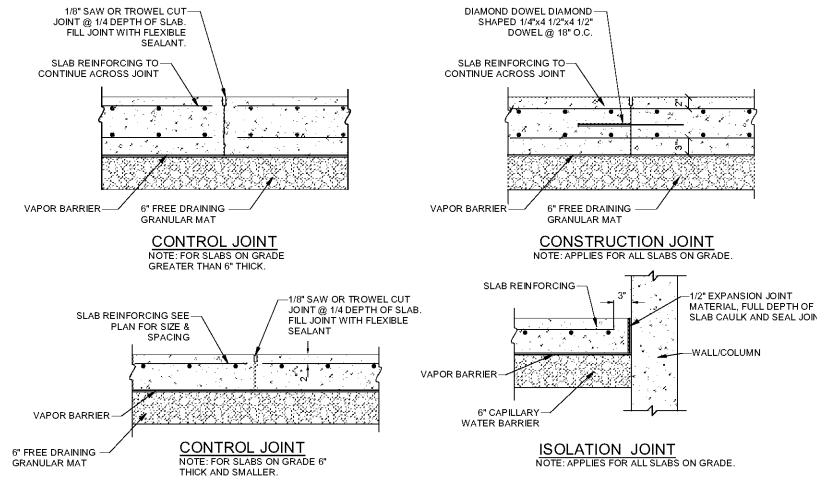


FOOTING SCHEDULE		
MARK	SIZE	REINFORCING
* W18	1'-6"x1'-0"xCONT.	2-#5 CONT. BOTT. W/#4x1'-0" @ 2'-0" TRANS.
W24	2'-0"x1'-0"xCONT.	3-#5 CONT. BOTT. W/#4x1'-0" @ 2'-0" TRANS.
W30	2'-6"x1'-0"xCONT.	3-#5 CONT. BOTT. W/#4x2'-0" @ 2'-0" TRANS.
W36	3'-0"x1'-0"xCONT.	3-#5 CONT. W/#4x2'-0" @ 12" TRANS., TOP & BOTT.
W48	4'-0"x1'-0"xCONT.	4-#5xCONT. W/#5x2'-0" TRANSVERSE @ 12" O.C., TOP & BOTT.
W60	5'-0"x1'-0"xCONT.	5-#5xCONT. W/#5x4'-0" TRANSVERSE @ 12" O.C., TOP & BOTT.
F24	2'-0"x2'-0"x1'-0"	3-#4 BOTTOM E.W.
F30	2'-6"x2'-0"x1'-0"	3-#5 BOTTOM E.W.
F36	3'-0"x3'-0"x1'-0"	4-#5 BOTTOM E.W.

* TERMINATE ALL BARS WITH STANDARD HOOKS

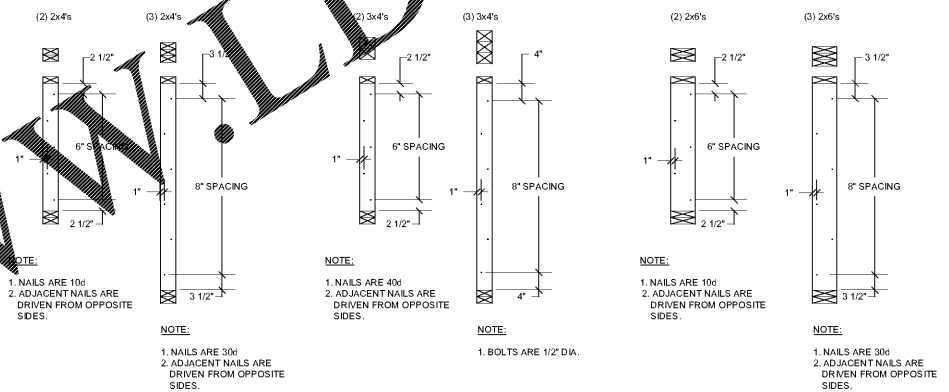
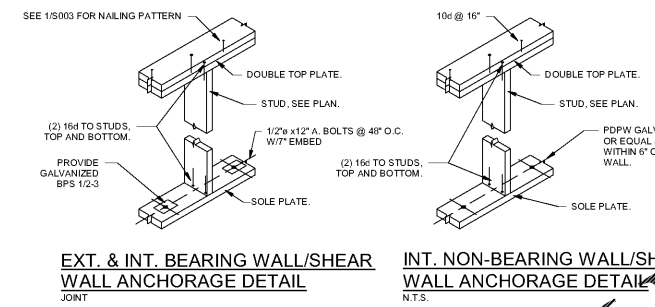
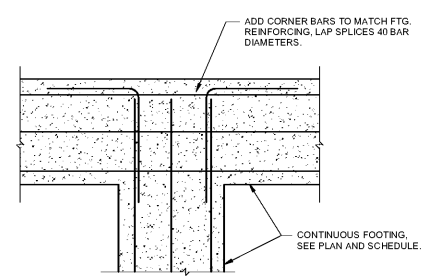


1 FOOTING SCHEDULE
NOT TO SCALE

2 TYPICAL SLAB-ON-GRADE JOINT DETAILS
1" = 1'-0"

3 TYPICAL FOOTING STEP
3/4" = 1'-0"

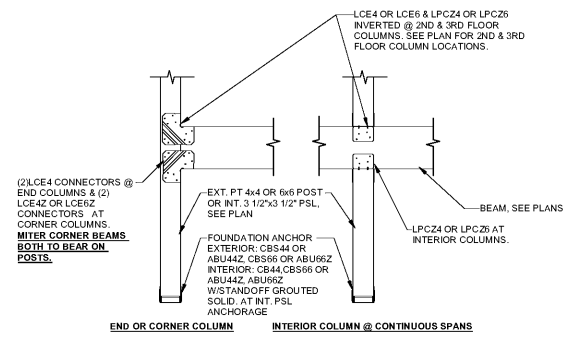
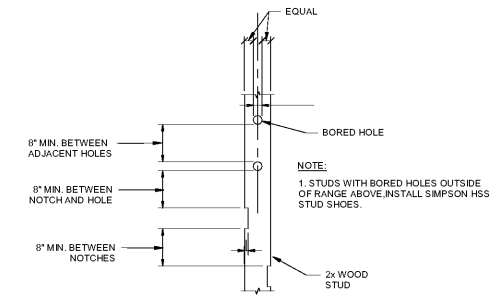
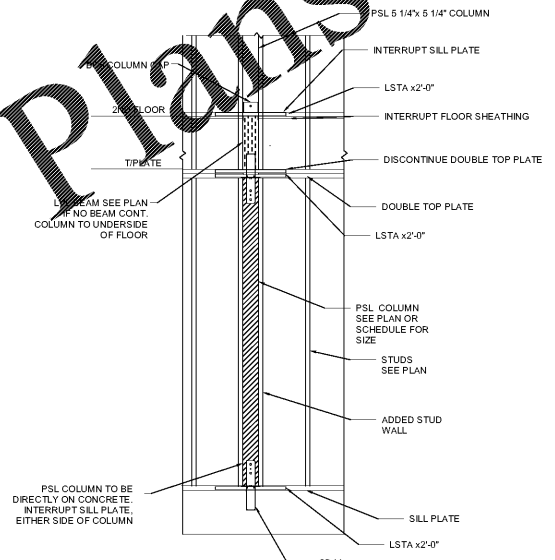
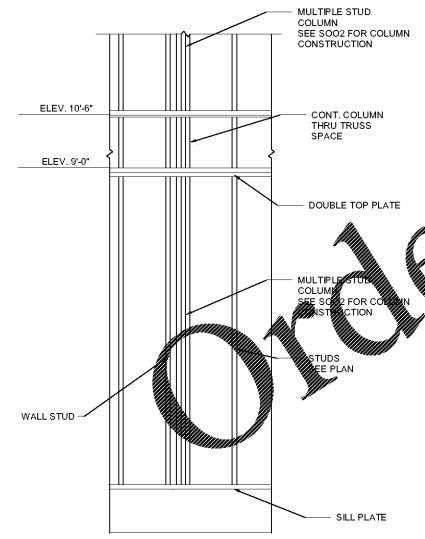
4A TYPICAL CORNER REINFORCING
1/4" = 1'-0"



4B TYPICAL INTERSECTION REINFORCING
3/4" = 1'-0"

5 WALL ANCHORAGE DETAIL
3/4" = 1'-0"

6 TYPICAL BUILT-UP COLUMN DETAILS
3/4" = 1'-0"



7 BUILT-UP MULTI-PLY WOOD COLUMN DETAIL
1/2" = 1'-0"

8 ENGINEERED WOOD COLUMN DETAIL
1/2" = 1'-0"

9 NOTCHING & HOLES ALLOWED IN 2X WOOD STUDS
NOT TO SCALE

10 COLUMN/BEAM ANCHORAGE DETAILS
1" = 1'-0"



Architecture Planning Interiors Research
50 South B.B. King Boulevard
Memphis, Tennessee 38103
Telephone 901 521 1440
Fax 901 525 2760
E-mail info@lrk.com

Client:
McCormack Baron Salazar

720 Olive St Suite 2500
St. Louis, MO 63101

Issues and Revisions		
Date	Issued / Revised	
3/16/2020	50% C.D.	
5/15/2020	80% C.D.	
7/13/2020	Permit Submission	

BUILDING ADDRESSES	
TYPE G.E.	442, 444, 446, 448 BATHURST LANE 234, 236, 238, 240 ISHAMEL PLACE
TYPE H.A.	373, 440 WANCE AVE 315, 364 FOOTE LANE 333 S DANNY THOMAS BLVD
TYPE L.C.	365, 431 WANCE AVE 315 ISHAMEL PLACE
TYPE L.A.	377 ISHAMEL PLACE 420, 525 FOOTE LANE 340 S DANNY THOMAS BLVD
TYPE M.A.	402, 426 FOOTE LANE

©2020 LRK Inc.
Drawings, written material, and design concepts shall not be used or reproduced in whole or part in any form or format without prior written consent of LRK Inc. Do not scale drawings. Use given dimensions only. If not shown, verify correct dimensions with the Architect. Contractor shall check and verify all dimensions and conditions at job site.



LRK Project Number: 01.15100.43

Project Name:
South City CNI Phase 4
Memphis, TN

Drawing Name:
SCHEDULES AND DETAILS

Drawn By: MAC
Checked By: KEM

S002

Order Plans @