

Phase 4 - 01.15100.43
South City CNI
7/1/2020 11:40:05 AM C:\Users\lreard\Documents\SEI_STRUC_SOUTH_CNI_4_R16_krnewad.mxd

DESIGN CRITERIA AND GENERAL NOTES

Table with 2 columns: DESIGN CRITERIA and values. Includes sections for DESIGN PER INTERNATIONAL BUILDING CODE, DEAD LOADS, LIVE LOADS, FLOORS, WIND LOADS (ASCE 7-16), MAIN WIND FORCE RESISTING SYSTEM, SNOW LOADS, SEISMIC, ANALYSIS PROCEDURE, MATERIAL STRENGTHS, FOUNDATIONS, SHALLOW FOUNDATIONS, FOOTINGS, SOIL BEARING, and SHEATHING.

Table with 2 columns: CONCRETE and values. Includes sections for REINFORCING BARS, LAP SPLICE SCHEDULE, NOTES, WELDED WIRE FABRIC, CONCRETE SLABS ON GRADE, WOOD FRAMING, FOUNDATIONS, and SHEATHING.

Table with 2 columns: POST TENSIONED FOUNDATIONS and values. Includes sections for FLOOR TRUSSES, TRUSS SUBMITTALS, TRUSS DESIGNER, SUPPLEMENTARY NOTES, and CONCRETE SLABS ON GRADE.

GROSS COMPONENT & CLADDING WIND PRESSURES (ASCE 7-10, LRFD)

Table with 4 columns: ZONE, EFFECTIVE AREA (sf), POSITIVE (psf), and NEGATIVE (psf). Includes zones 1 through 5 with corresponding area and pressure values.

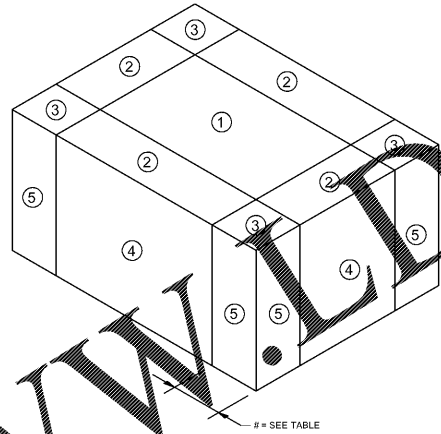


Table with 2 columns: STRUCTURE ID and # (ft). Lists building heights: BUILDING GB (3.2 ft), BUILDING HA (4.8 ft), BUILDING IC (4.8 ft), BUILDING LA (4.8 ft), and BUILDING MA (5.5 ft).

FIGURE 1 - BUILDING ISOMETRIC

Table with 3 columns: NUMBER, SHEET NAME, and Sheet Sorting. Lists sheets for GENERAL NOTES AND SPECIAL INSPECTIONS, SCHEDULES AND DETAILS, SECTIONS AND DETAILS, SHEARWALL SCHEDULE AND DETAILS, FRAMING CONNECTIONS, and FOUNDATION PLAN.

Table with 4 columns: VERIFICATION AND INSPECTION, CONTINUOUS, PERIODIC, REFERENCED STANDARD, and IBC REFERENCE. Contains detailed inspection requirements for structural steel, masonry, and concrete.



Looney Ricks Kiss
Architecture Planning Interiors Research
50 South B.B. King Boulevard
Memphis, Tennessee 38103
Telephone 901 521 1440
Fax 901 525 2760
E-mail info@lrk.com

Client:
McCormack Baron Salazar

720 Olive St Suite 2500
St. Louis, MO 63101

Table with 2 columns: Date and Issued / Revised. Shows revision dates and percentages.

Table with 2 columns: TYPE and ADDRESS. Lists various address types and their locations.

6/20/20 LRK Inc.
Drawings, written material, and design concepts shall not be used or reproduced in whole or part in any form or format without prior consent of LRK Inc. Do not scale drawings. Use given dimensions only. If not shown, verify correct dimensions with the Architect. Contractor shall check and verify all dimensions and conditions at job site.



LRK Project Number: 01.15100.43

Project Name:
South City CNI
Phase 4
Memphis, TN

Drawing Name:

GENERAL NOTES AND SPECIAL INSPECTIONS

Drawn By: MAC
Checked By: KEM

S001