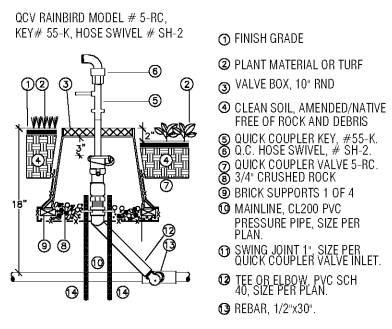
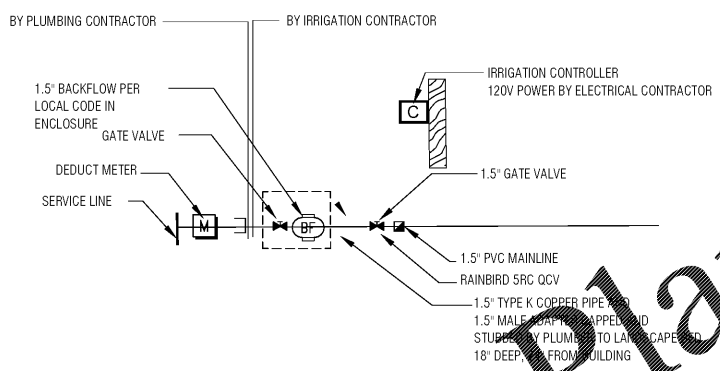


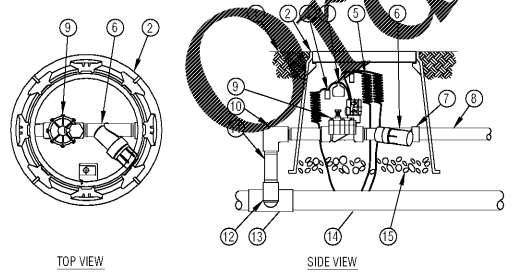
1 CONTROLLER INSTALLATION
Scale: NTS



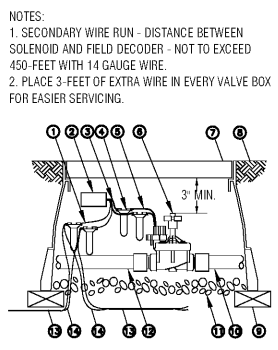
4 QUICK COUPLER VALVE
Scale: NTS



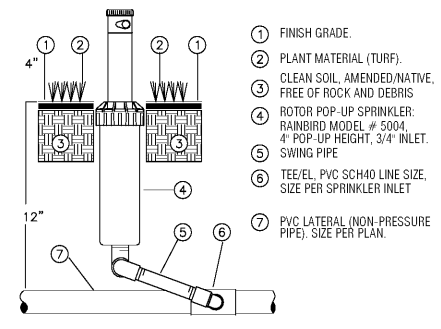
6 POINT OF CONNECTION
Scale: NTS



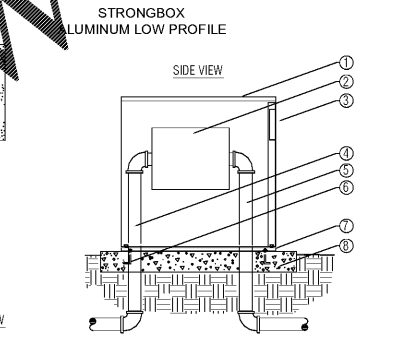
8 DRIP ZONE KIT
Scale: NTS



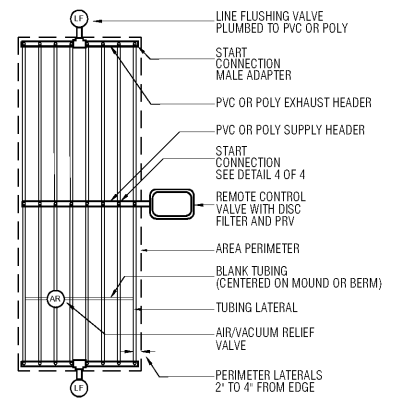
2 VALVE AND DECODER
Scale: NTS



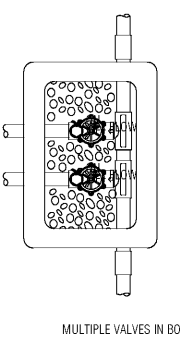
5 SPRINKLER INSTALLATION
Scale: NTS



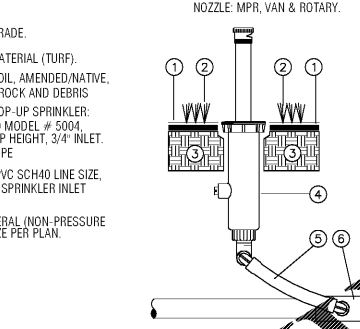
7 BACKFLOW ENCLOSURE
Scale: NTS



9 DRIFLINE INSTALLATION
Scale: NTS

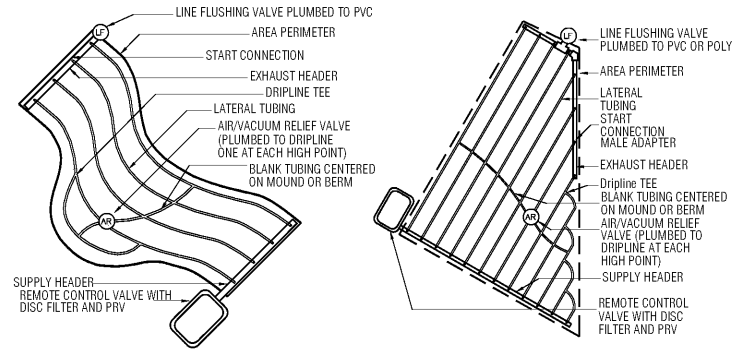


3 SURGE PROTECTION
Scale: NTS



5 SPRINKLER INSTALLATION
Scale: NTS

- BACKFLOW ANCHOR BASE.
- MOUNTING BASE SECURED IN CONCRETE WITH 3/8" J BOLTS (4 PLACES).
- EXISTING CONCRETE CORNERS WILL NEED TO 3/8"x 3" REDHEAD ANCHORS.
1. ALUMINUM BACKFLOW ENCLOSURE.
 2. BACKFLOW PREVENTER.
 3. HINGED DROP DOWN DOOR, PADLOCK AT TOP.
 4. WATER SERVICE INLET PIPING.
 5. WATER SERVICE OUTLET PIPING.
 6. 3/8" 'L' STYLE ANCHOR BOLTS.
 7. ANCHOR PLATE MOUNTING.
 8. POURED CONCRETE BASE - 6" MIN. THICKNESS - EXTEND 6" INTO EXISTING CONCRETE ENCLOSURE.



9 DRIFLINE INSTALLATION
Scale: NTS

GENERAL NOTES:

1. THE IRRIGATION SYSTEM IS DIAGRAMMATIC BASED UPON THE INFORMATION PROVIDED BY THE OWNER OR THE OWNERS REPRESENTATIVE. THE SUCCESSFUL CONTRACTOR IS RESPONSIBLE TO INSTALL A SYSTEM THAT WILL PROPERLY COVER ALL AREAS INDICATED ON THE DESIGN. ACTUAL LAYOUT OF PIPING, SPRINKLER HEADS, VALVES, CONTROLLERS AND OTHER RELATED EQUIPMENT SHALL BE DETERMINED ON SITE. FIELD CHANGES SHALL BE MADE AT NO ADDITIONAL COST TO THE OWNER. IRRIGATION CONTRACTOR MUST BE FULLY AWARE OF THE EXISTING CONDITIONS PRIOR TO BIDDING. SITE WILL BE MADE AVAILABLE FOR INSPECTION, COORDINATE WITH LA.

IT IS THE RESPONSIBILITY OF THE IRRIGATION CONTRACTOR TO BE FAMILIAR WITH ALL GRADE DIFFERENCES, LOCATIONS OF WALLS, STRUCTURES AND UTILITIES AND MAKE THE NECESSARY ADJUSTMENTS TO ACCOMMODATE THE IRRIGATION SYSTEM AS SHOWN ON THE DRAWINGS. THERE MAY BE TIMES WHEN IT IS OBVIOUS IN THE FIELD THAT UNKNOWN OBSTRUCTIONS, GRADE OR DIMENSIONS THAT EXIST MIGHT NOT HAVE BEEN COVERED IN THE ENGINEERING. SUCH OBSTRUCTIONS SHOULD BE BROUGHT TO THE ATTENTIONS OF THE OWNER'S AUTHORIZED REPRESENTATIVE. IN THE EVENT THAT THIS NOTIFICATION IS NOT PROVIDED, THE IRRIGATION CONTRACTOR SHALL ASSUME FULL RESPONSIBILITY FOR ANY REVISIONS AND COSTS THAT OCCUR.

2. THIS SYSTEM SHALL BE INSTALLED USING ACCEPTED AND QUALITY INSTALLATION STANDARDS AS USED IN THE INDUSTRY. MANUFACTURERS' INSTRUCTIONS WILL BE FOLLOWED.

LATERAL LINE BEING A MIN. OF 12" OF COVER AND MAINLINE SHALL BE A MIN. OF 16"-18" OF COVER. ALL BACKFILL SURROUNDING THE PIPE SHALL BE CLEANED OF MATERIALS LARGER THAN 1" IN SIZE.

4. THERE WILL BE NO SUBSTITUTIONS OR CHANGES TO THE IRRIGATION DESIGN ALLOWED WITHOUT DIRECT, WRITTEN APPROVAL FROM THE IRRIGATION CONSULTANT OR LANDSCAPE ARCHITECT.

5. SYSTEM DESIGN IS BASED ON PRESSURE AND FLOW INFORMATION PROVIDED BY OTHERS. STATIC PRESSURE WAS GIVEN AS 65-70 PSI AND THE SIZE OF THE P.O.C. IS AS INDICATED ON THE DRAWING. THE IRRIGATION CONTRACTOR SHALL VERIFY WATER PRESSURES PRIOR TO CONSTRUCTION. REPORT DIFFERENCES BETWEEN REQUIREMENTS AND THE ACTUAL READINGS TO THE OWNER'S REPRESENTATIVE.

6. PIPING SHOWN IN PAVED AREA WITHOUT SLEEVE IS DIAGRAMMATIC AND SHALL BE LOCATED INSIDE OF THE PLANTED AREA OR TURF AREA APPROXIMATELY 1' FROM ANY HARDSCAPE.

7. ALL VALVES SHALL BE PLACED IN THE APPROXIMATE AREA AS SHOWN ON THE PLANS. IRRIGATION CONTRACTOR IS TO COORDINATE THE POINT OF CONNECTION WITH PLUMBER AND LOCATE THE IRRIGATION VALVES IN A NEAT CLUSTER AS DIRECTED BY LA 18' FROM HARDSCAPE AREA.

8. IRRIGATION CONTRACTOR IS TO LOCATE ALL WATERLINES AND UTILITIES AS NEEDED FOR THE IRRIGATION. ALL INFORMATION IS TO BE VERIFIED PRIOR TO ANY INSTALLATION OF THE PROJECT.

9. THE IRRIGATION CONTRACTOR IS RESPONSIBLE FOR ALL CLEAN UP ASSOCIATED WITH HIS WORK.

10. IRRIGATION CONTRACTOR SHALL ALL PROVIDE THE FIRST WINTERIZATION, SPRING TURN ON, HEAD ADJUSTMENTS AND CONTROLLER MAINTENANCE IN BID.

Inlet Pressure psi	DRIFLINE MAX DISTANCES					
	12" Spacing		18" Spacing		24" Spacing	
	Nominal Flow (GPH)	Nominal Flow (GPH)	Nominal Flow (GPH)	Nominal Flow (GPH)	Nominal Flow (GPH)	Nominal Flow (GPH)
15	255	194	357	273	448	343
20	291	220	408	313	514	394
30	350	266	494	378	622	478
40	396	302	560	428	705	541
50	434	333	614	470	775	594

NOTES:

1. DISTANCE BETWEEN LATERAL ROWS AND EMITTER SPACING TO BE BASED ON SOIL TYPE, PLANT MATERIALS AND CHANGES IN ELEVATION. SEE INSTALLATION SPECIFICATIONS ON NETAFIMD.COM FOR SUGGESTED SPACING.
2. LENGTH OF LONGEST DRIFLINE LATERAL SHOULD NOT EXCEED THE MAXIMUM SPACING SHOWN IN THE ACCOMPANYING TABLE.



55 South Tenth Street
Pittsburgh, Pennsylvania 15203
tel 412.488.8822
fax 412.488.8825

Nature leads, art follows.

Client:

**McCormack
Baron
Salazar**

720 Olive St Suite 2500

St. Louis, MO 63101

Issues and Revisions

Date	Issued / Revised
1 3/16/2020	50% CONSTRUCTION DOCS
2 5/15/2020	80% CONSTRUCTION DOCS
3 7/13/2020	PERMIT SUBMISSION

©2020 LaQuatra Bonci Associates
Drawings, written material, and design concepts shall not be used or reproduced in whole or part in any form or format without prior written consent of LaQuatra Bonci Associates. Do not scale drawings. Use given dimensions only. If not shown, verify correct dimensions with the Architect. Contractor shall check and verify all dimensions and conditions at job site.

Scale

LRK Project Number: 01.15100.43

LBA Project Number: 20010

Project Name:

**South City CNI
Phase 4**

Memphis TN

Drawing Name:
Irrigation Details

Drawn By: JL, ML

Checked By: JH