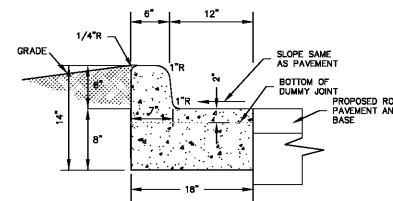
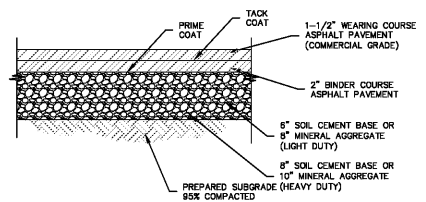


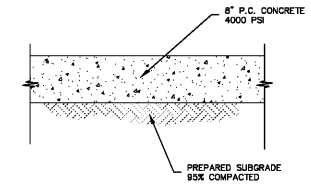
1 6-18 CURB & SPILL GUTTER
C6.0 SCALE: NTS



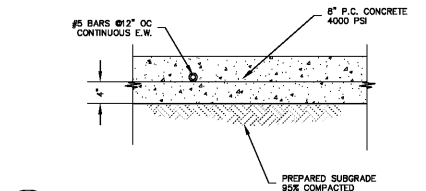
2 6-18 CURB & CATCH GUTTER
C6.0 SCALE: NTS



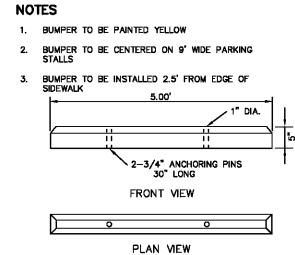
3 ASPHALT PAVEMENT DETAIL
C6.0 SCALE: NTS



4 HEAVY DUTY CONCRETE DETAIL
C6.0 SCALE: NTS

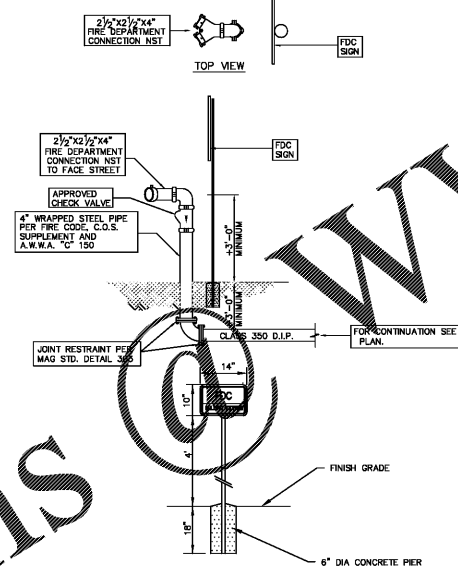


7 REINFORCED HEAVY DUTY CONCRETE
C6.0 SCALE: NTS

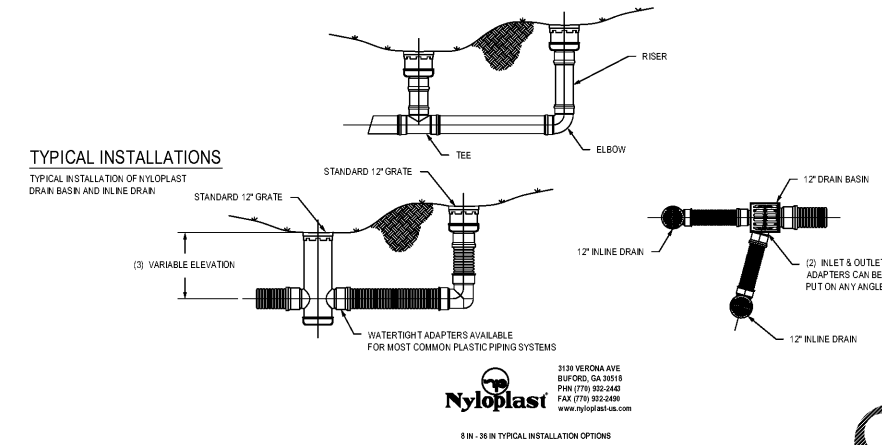


8 PARKING BUMPER DETAIL
C6.0 SCALE: NTS

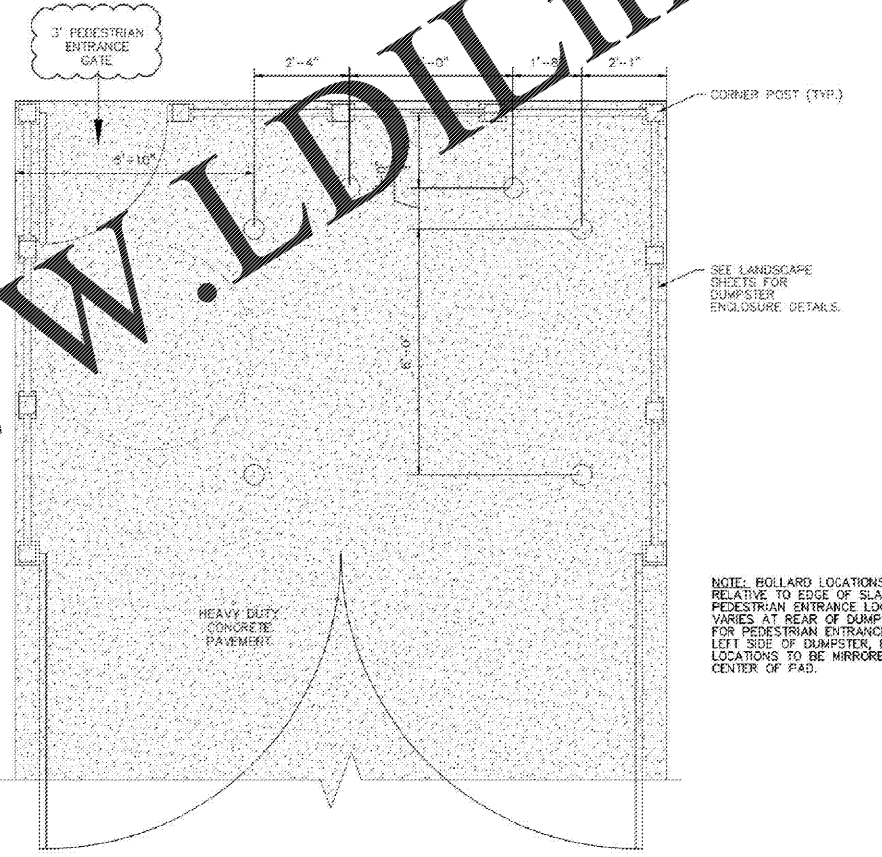
GENERAL NOTES
1. Provide Building I.D. On Remote Fire Dept. Connection.
2. No Trees, Bushes Or Walls Within 5' Radius Of Fire Dept. Connection.



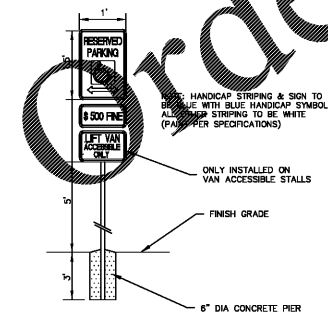
14 FDC SIGNAGE DETAIL
C6.0 SCALE: NTS



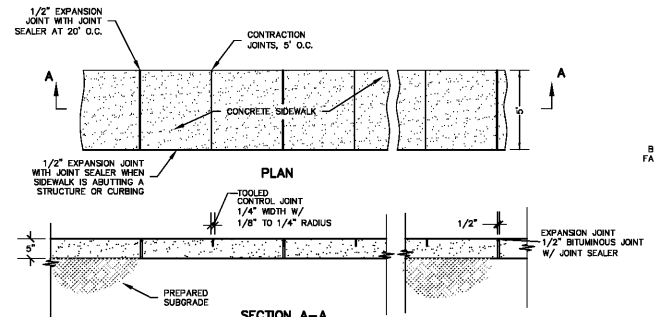
5 NYLOPAST DRAIN STRUCTURE
C6.0 SCALE: NTS



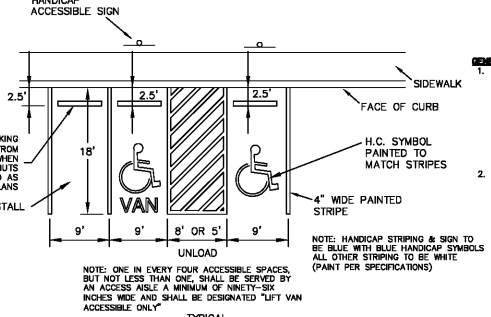
9 DUMPSTER BOLLARD DETAIL
C6.0 SCALE: NTS



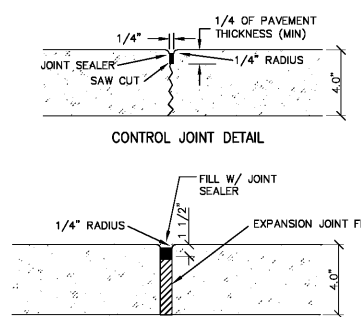
10 ADA SIGN DETAIL
C6.0 SCALE: NTS



11 CONCRETE SIDEWALK DETAIL
C6.0 SCALE: NTS



12 ADA PARKING DETAIL
C6.0 SCALE: NTS



13 CONCRETE JOINTS
C6.0 SCALE: NTS

Grimes Consulting, Inc.
12348 OLD TESSERA RD.
SUITE 1000
ST. LOUIS, MO 63128
TEL: (314) 849-6100
FAX: (314) 849-6018
www.grimesconsulting.com
PE COAR E-1510-D
PLS COAR LS-3-D-0

LRK
Looney Ricks Kiss

Architecture Planning Interiors Research
50 South B.B. King Boulevard
Memphis, Tennessee 38103
Telephone 901 521 1440
Fax 901 525 2760
E-mail info@lrk.com

Client:
**McCormack
Baron
Salazar**

720 Olive St Suite 2500
St. Louis, MO 63101

Issues and Revisions

Date	Issued / Revised
3/16/2020	50% CONSTRUCTION DOCS
5/15/2020	80% CONSTRUCTION DOCS
06/29/2020	REV. ADA UNIT LOCATIONS
07/13/2020	PERMIT SUBMISSION

BUILDING ADDRESSES
TYPE G-B
TYPE H-A
TYPE I-C
TYPE M-A
TYPE K-A

© 2020 LRK Inc.
Drawings, written material, and design concepts shall not be used or reproduced in whole or part in any form or format without the prior written consent of LRK Inc. Do not scale drawings. Use given dimensions only. If not shown, verify correct dimensions with the Architect. Contractor shall check and verify all dimensions and conditions at job site.

Seal

LRK Project Number: 01.15100.43

Grimes Consulting Project Number: 3210

Project Name:

**SOUTH CITY SUBDIVISION
PHASE 4**

Memphis TN

Drawing Name:

DETAILS

Drawn By: JRB

Checked By: JLV

C6.0

Order Plans

WWW.LRKLIVE.COM