

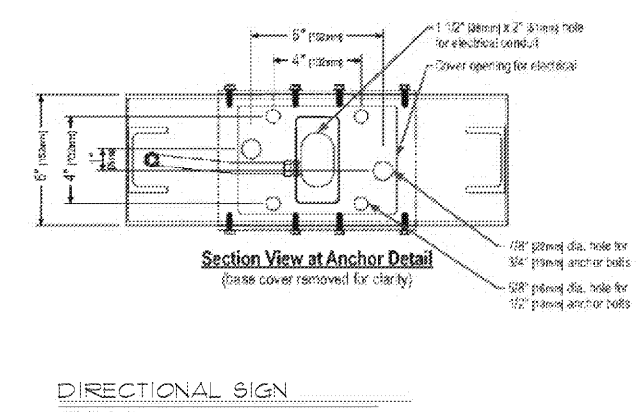
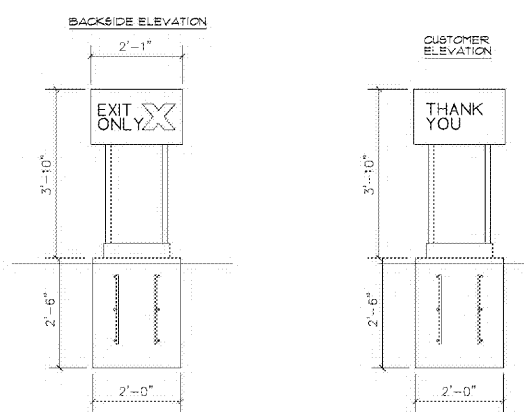
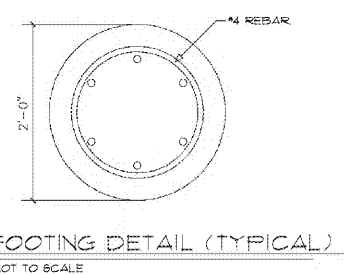
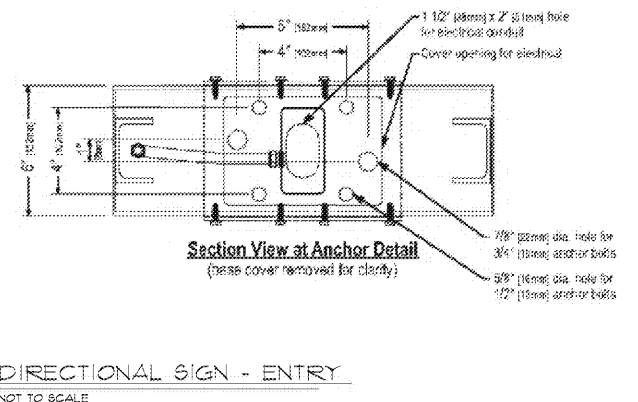
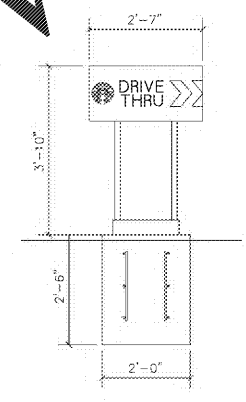
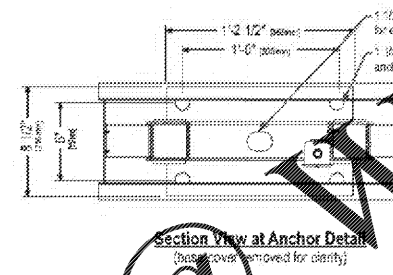
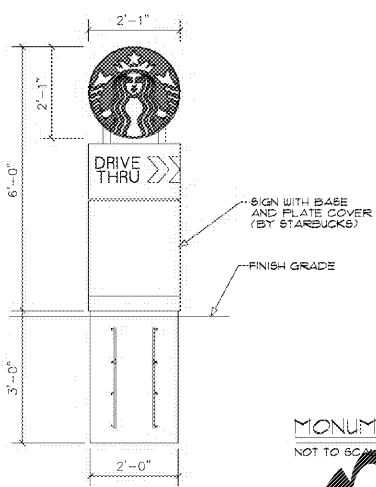
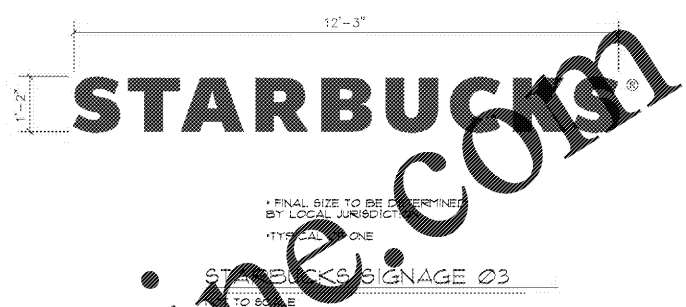
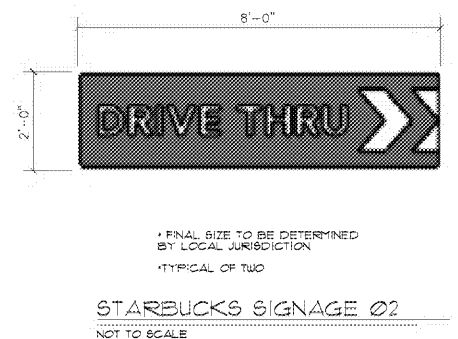
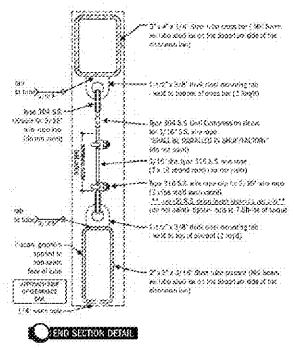
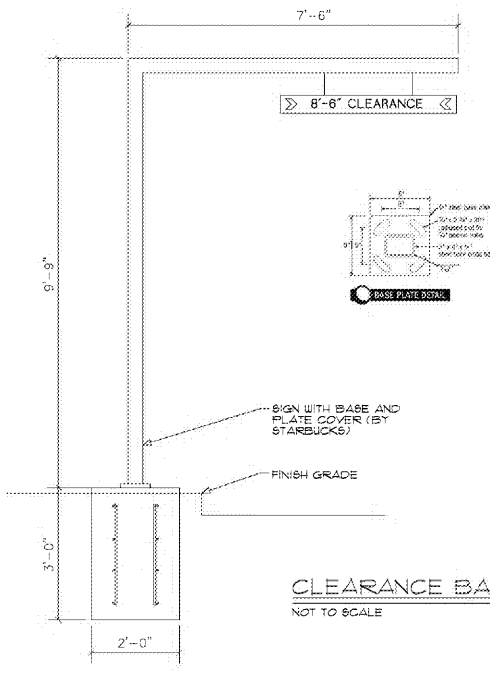
BELL & ASSOCIATES
ARCHITECTS
 ALAN BELL, DOUG ELKINS
 MARK SMITH & TROY BELL
 alanbellarchitect.com
 120 LOVORN ROAD
 CARY, NC 27513
 PHONE (770) 350-8808 FAX (770) 350-8956

REVISIONS	BY

NEW RESTAURANT FOR:
STARBUCKS
 WILSON, NORTH CAROLINA

CONTRACTOR SHALL VERIFY ALL CONDITIONS AND DIMENSIONS BEFORE EXECUTING ANY WORK. THIS DOCUMENT IS THE SOLE PROPERTY OF ALAN BELL ARCHITECT AND SHALL NOT BE COPIED IN WHOLE OR IN PART WITHOUT EXPRESSED WRITTEN CONSENT FROM ALAN BELL ARCHITECT.

DATE : 8/19/2010
 SCALE : AS NOTED
 JOB NO. : xxxxxx
 SHEET
A-6
 OF 7 SHEETS



Order Plans @ www.LDILine.com