

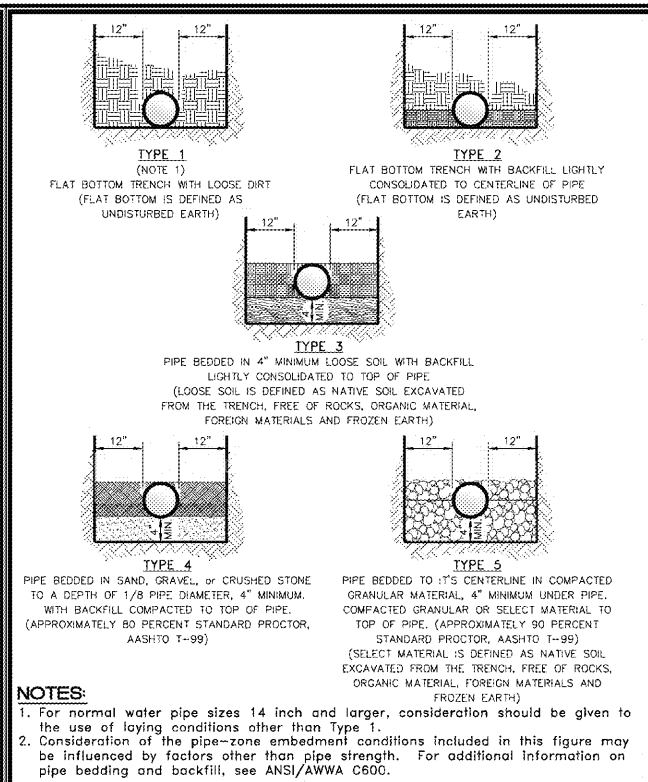
NOTES:

- See specifications Section 02275, Part 2 - PRODUCTS for composition of Select Earth Backfill and Common Trench Backfill.
- See detail C01.03 for pipe laid within an existing paved street.

CITY of WILSON, N.C.
Public Services Department
1800 Herring Avenue, / P.O. Box 10
Wilson, North Carolina 27894
Voice (252) 399-2485
Fax (252) 399-2483
www.wilsonnc.org

SCALE: Not To Scale
DETAIL #: 511.01
REVISION DATE: June, 2010
SHEET #: 1 of 1

FORCE MAIN & WATER MAIN PIPE LAYING CONDITIONS



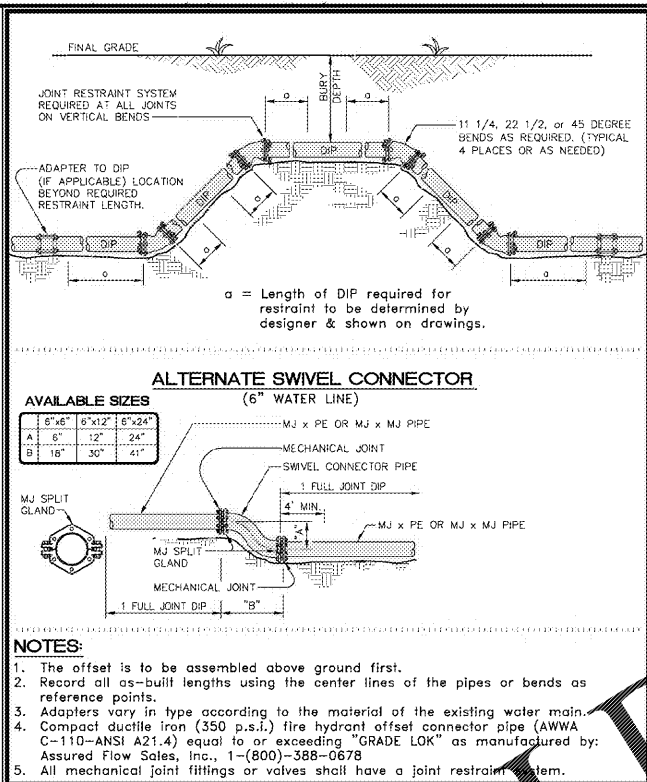
NOTES:

- For normal water pipe sizes 14 inch and larger, consideration should be given to the use of laying conditions other than Type 1.
- Consideration of the pipe-zone embedment conditions included in this figure may be influenced by factors other than pipe strength. For additional information on pipe bedding and backfill, see ANSI/AWWA C600.

CITY of WILSON, N.C.
Public Services Department
1800 Herring Avenue, / P.O. Box 10
Wilson, North Carolina 27894
Voice (252) 399-2485
Fax (252) 399-2483
www.wilsonnc.org

SCALE: Not To Scale
DETAIL #: 511.02
REVISION DATE: June, 2010
SHEET #: 1 of 3

WATER & SANITARY SEWER PIPE EMBEDMENT DETAILS



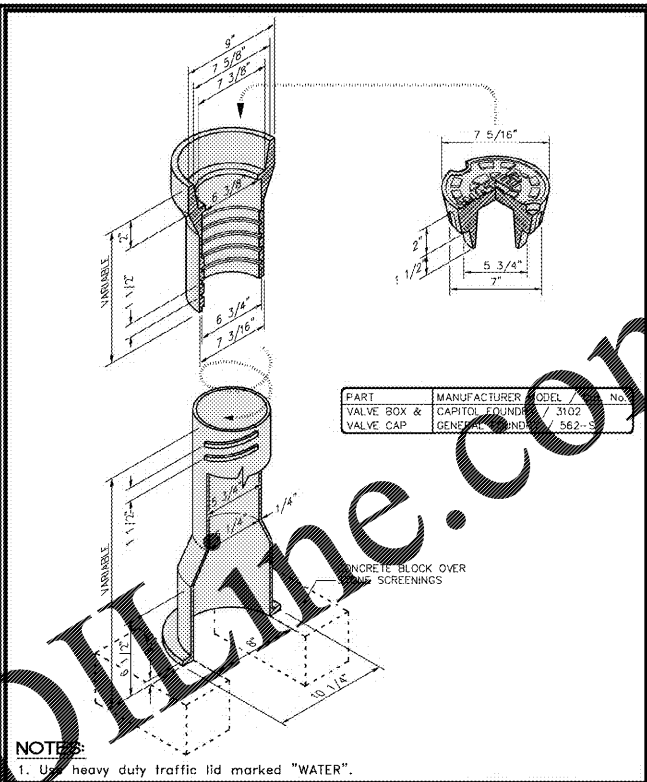
NOTES:

- The offset is to be assembled above ground first.
- Record all as-built lengths using the center lines of the pipes or bends as reference points.
- Adapters vary in type according to the material of the existing water main.
- Compact ductile iron (350 p.s.i.) fire hydrant offset connector pipe (AWWA C-110-ANSI A21.4) equal to or exceeding "GRADE LOK" as manufactured by Assured Flow Sales, Inc., 1-(800)-388-0678
- All mechanical joint fittings or valves shall have a joint restraint system.

CITY of WILSON, N.C.
Public Services Department
1800 Herring Avenue, / P.O. Box 10
Wilson, North Carolina 27894
Voice (252) 399-2485
Fax (252) 399-2483
www.wilsonnc.org

SCALE: Not To Scale
DETAIL #: 511.07
REVISION DATE: June, 2010
SHEET #: 1 of 1

VERTICAL OFFSET DETAIL



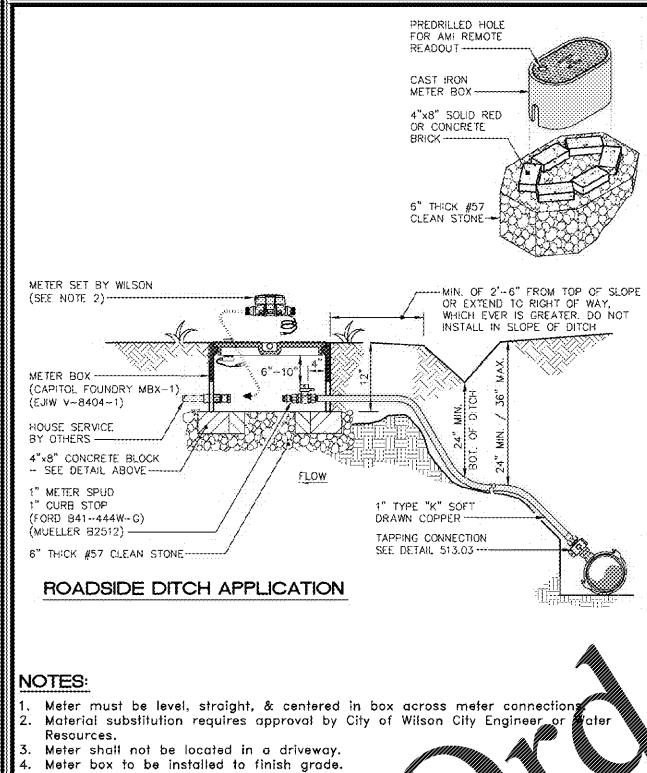
NOTES:

- Use heavy duty traffic lid marked "WATER".

CITY of WILSON, N.C.
Public Services Department
1800 Herring Avenue, / P.O. Box 10
Wilson, North Carolina 27894
Voice (252) 399-2485
Fax (252) 399-2483
www.wilsonnc.org

SCALE: Not To Scale
DETAIL #: 513.01
REVISION DATE: June, 2010
SHEET #: 1 of 1

STANDARD SCREW VALVE BOX DETAIL



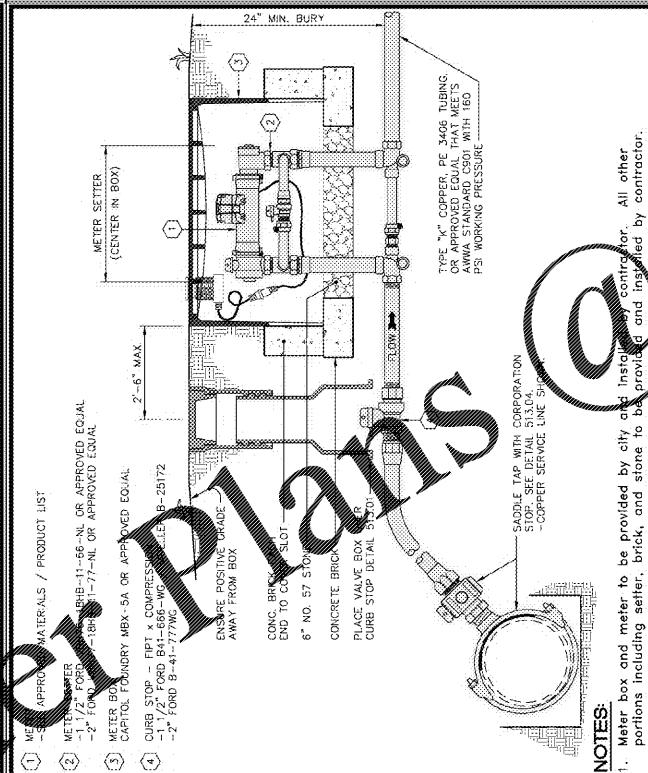
NOTES:

- Meter must be level, straight, & centered in box across meter connection.
- Material substitution requires approval by City of Wilson City Engineer or Meter Resources.
- Meter shall not be located in a driveway.
- Meter box to be installed to finish grade.

CITY of WILSON, N.C.
Public Services Department
1800 Herring Avenue, / P.O. Box 10
Wilson, North Carolina 27894
Voice (252) 399-2485
Fax (252) 399-2483
www.wilsonnc.org

SCALE: Not To Scale
DETAIL #: 513.01
REVISION DATE: March, 2016
SHEET #: 2 of 2

STANDARD 1" DOMESTIC WATER METER INSTALLATION



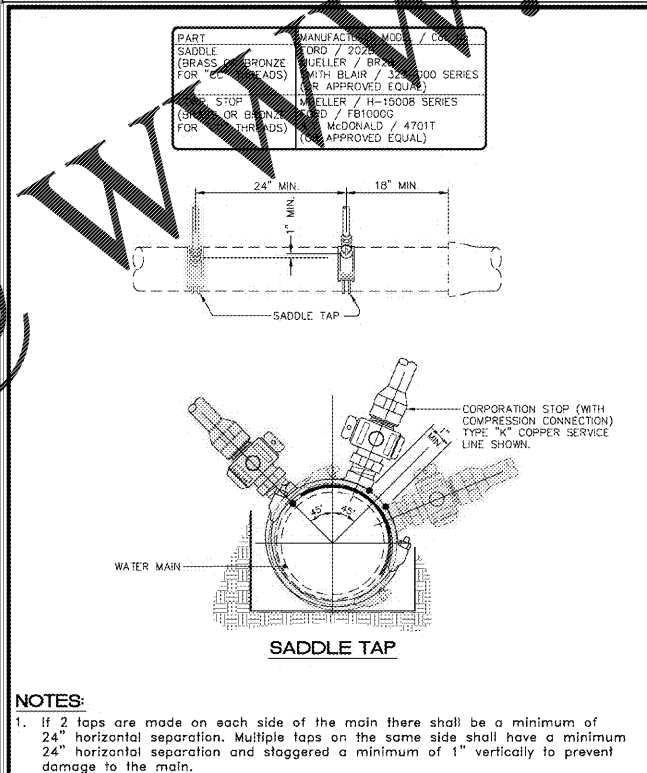
NOTES:

- Meter box and meter to be provided by city and installed by contractor. All other portions including setter, brick, and stone to be provided and installed by contractor.

CITY of WILSON, N.C.
Public Services Department
1800 Herring Avenue, / P.O. Box 10
Wilson, North Carolina 27894
Voice (252) 399-2485
Fax (252) 399-2483
www.wilsonnc.org

SCALE: Not To Scale
DETAIL #: 513.03
REVISION DATE: March, 2016
SHEET #: 1 of 1

STANDARD 1 1/2" & 2" METER ASSEMBLY



NOTES:

- If 2 taps are made on each side of the main there shall be a minimum of 24" horizontal separation. Multiple taps on the same side shall have a minimum 24" horizontal separation and staggered a minimum of 1" vertically to prevent damage to the main.

CITY of WILSON, N.C.
Public Services Department
1800 Herring Avenue, / P.O. Box 10
Wilson, North Carolina 27894
Voice (252) 399-2485
Fax (252) 399-2483
www.wilsonnc.org

SCALE: Not To Scale
DETAIL #: 513.04
REVISION DATE: June, 2010
SHEET #: 1 of 1

STANDARD WATER TAP DETAIL (1", 1 1/2", & 2" TAPS)

19045-C5.7-DETAIL.S.dwg

06/04/2020

TRC STAMP

CITY COUNCIL STAMP

TARR PROJECT # 19045

STARBUCKS - RALEIGH ROAD
REAL ZEAL PROPERTY GROUP
5019 RALEIGH ROAD PKWY W & 4921 HAYES PLACE W
WILSON, NORTH CAROLINA

FINAL DRAWING - FOR REVIEW PURPOSES ONLY

N.C. FIRM # P-1919

TARR

8650 E. STATE ROAD 32
ZIONSVILLE, IN 48077
PHONE: 843-633-3579
EMAIL: KEVIN@TARR-GROUP.COM

ORIGINAL ISSUE DATE: 06/04/2020

REVISIONS:

CIVIL DETAILS

C5.7