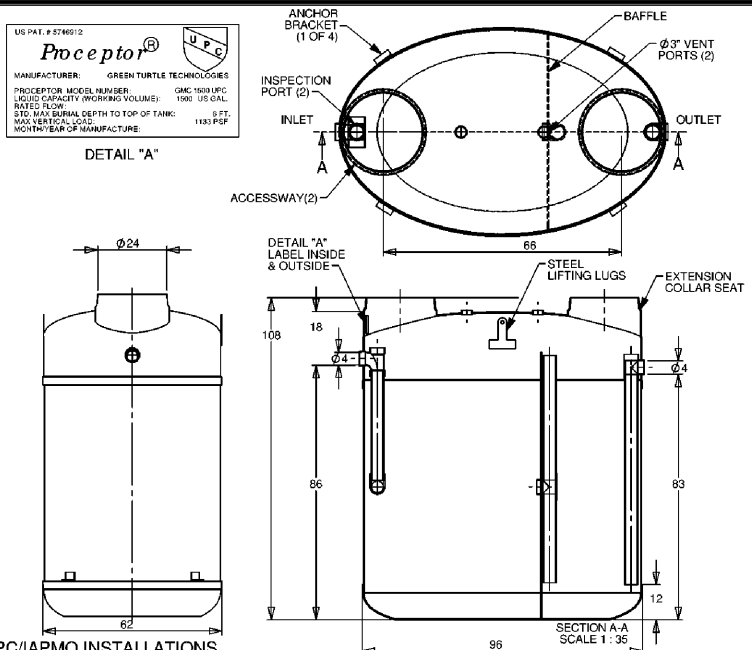


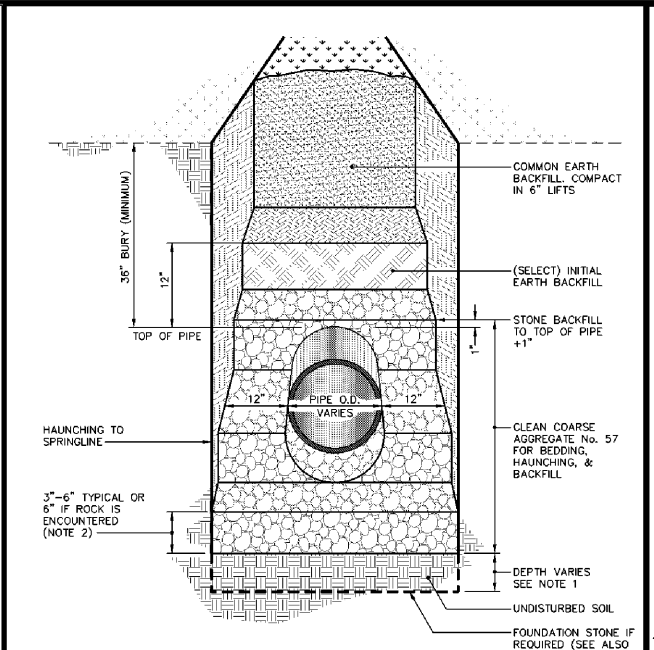
**NOTES:**  
 1. FOR GRAVITY APPLICATIONS ONLY.  
 2. ALL PROCEPTOR UNITS ARE MANUFACTURED WITH FIBERGLASS REINFORCED PLASTICS. PHYSICAL CHARACTERISTICS AND THICKNESS:  
 3. ALL PROCEPTOR UNITS ARE TO BE INSTALLED IN ACCORDANCE WITH THE MANUFACTURER'S INSTALLATION INSTRUCTIONS.  
 4. STANDARD PIPING IS SCH. 40 PVC.  
 5. DIMENSIONS (SD) - 300 UNITS LONG. STANDARD WITH 1" INLET AND OUTLET OTHER PIPE SIZE OPTIONS AVAILABLE ON REQUEST.  
 6. EXTENSION COLLAR TO BE ORDERED TO FIT FINISHED GRADE. CUT ON SITE FOR FINAL ADJUSTMENT AND CALIBERED WITH BRASS FILE FOR CONFORMANCE WITH WATER TIGHT SEAL.  
 7. COVERS AVAILABLE FOR 1200 TRAFFIC LOADINGS.  
 8. POLYURETHANE COATING ON PIPING FOR PROTECTIVE PROTECTION.  
 9. CONSULT GREEN TURTLE FOR OTHER SIZES.  
 10. 30 YEAR WARRANTY AGAINST LEAKS AND STRUCTURAL FAILURE.  
 11. U.S. PATENT # 5,746,612; CAN. PATENT # 2,156,522



DATE	DESCRIPTION	BY	CHECKED
10/20/2018	ISSUE FOR PERMITS	J. LEMMONS	J. LEMMONS
10/20/2018	REVISED FOR PERMITS	J. LEMMONS	J. LEMMONS
10/20/2018	REVISED FOR PERMITS	J. LEMMONS	J. LEMMONS
10/20/2018	REVISED FOR PERMITS	J. LEMMONS	J. LEMMONS
10/20/2018	REVISED FOR PERMITS	J. LEMMONS	J. LEMMONS
10/20/2018	REVISED FOR PERMITS	J. LEMMONS	J. LEMMONS
10/20/2018	REVISED FOR PERMITS	J. LEMMONS	J. LEMMONS
10/20/2018	REVISED FOR PERMITS	J. LEMMONS	J. LEMMONS
10/20/2018	REVISED FOR PERMITS	J. LEMMONS	J. LEMMONS

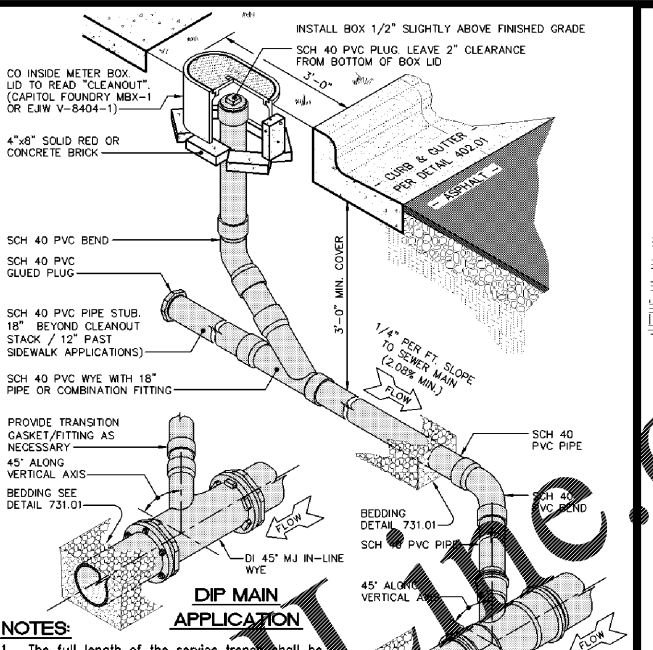
**Proceptor**  
 by greenturtle  
 US 877 428 6187 CAN 877 986 9444  
 www.greenturtletech.com

**GREASE INTERCEPTOR**  
 N.T.S.



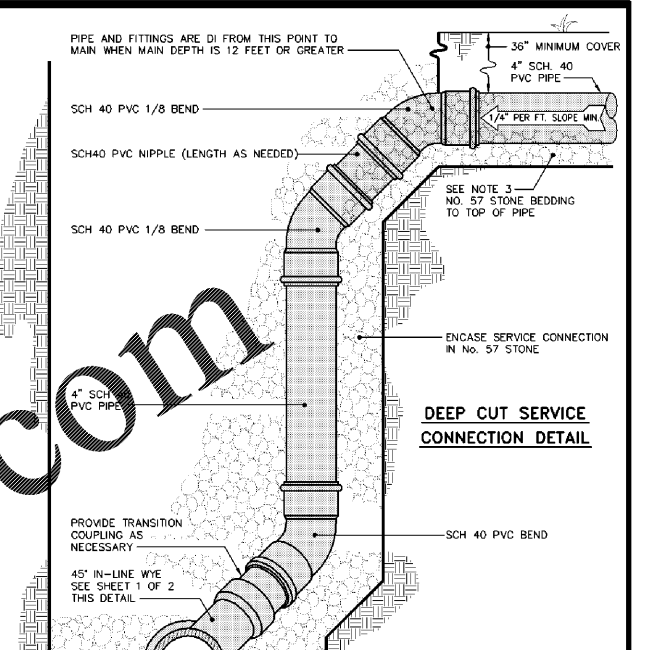
**NOTES:**  
 1. Foundation stone shall be required when soil conditions are unsuitable.  
 2. An additional 1 inch depth of bedding material will be required for each additional 2 feet of trench depth in excess of 16 feet up to a maximum of 12 inches.

**SANITARY SEWER LINE TRENCH (NON-TRAFFIC AREAS)**



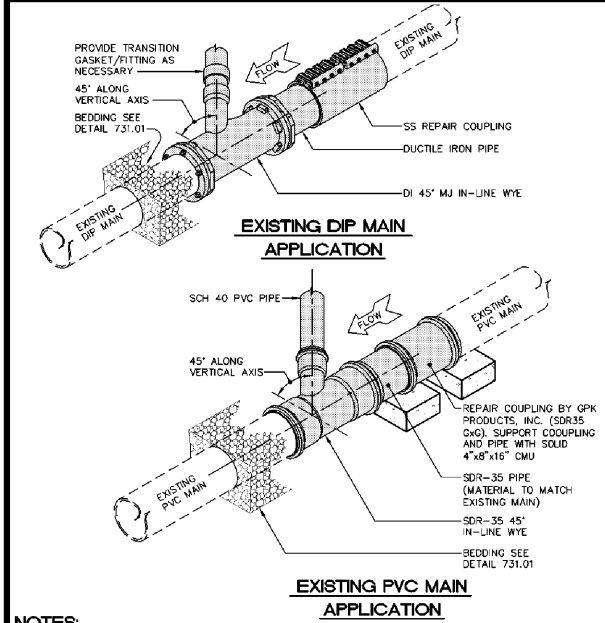
**NOTES:**  
 1. The full length of the service trench shall be compacted in 6" layers with mechanical tamp.  
 2. Solvent cement for pipe and fittings to be ASTM D-2554.  
 3. PVC wye, bend, teel, and cleanout assembly must be bedded in #57 stone. Bedding and handling of service pipe must comply with Class B bedding (See bedding detail for gravity mains).  
 4. 4" x 8" in-line wye is permitted for force mains only.

**TYPICAL PVC SEWER LATERAL, CLEANOUT, AND TAP**

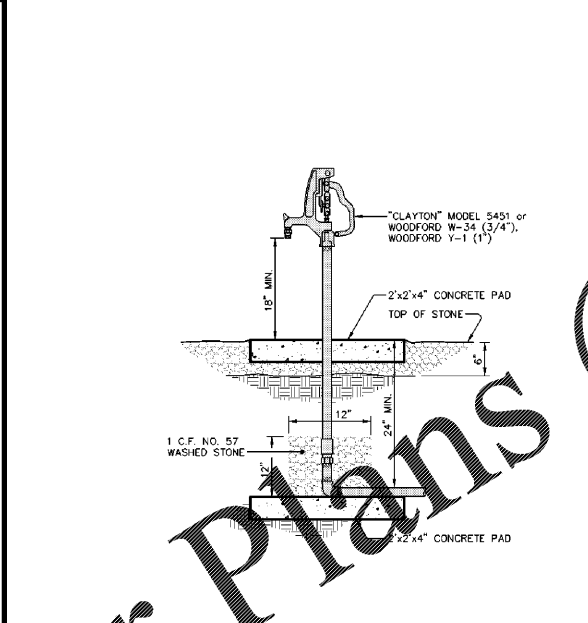


**DEEP CUT SERVICE CONNECTION DETAIL**

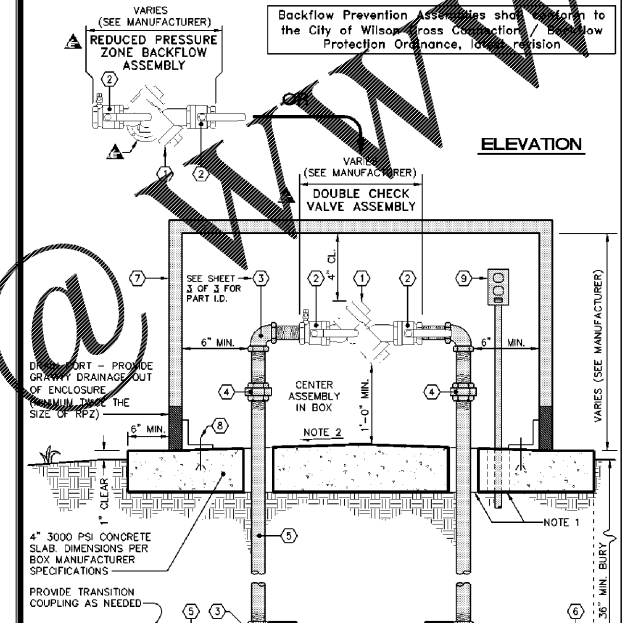
**TYPICAL PVC SEWER LATERAL, CLEANOUT, AND TAP**



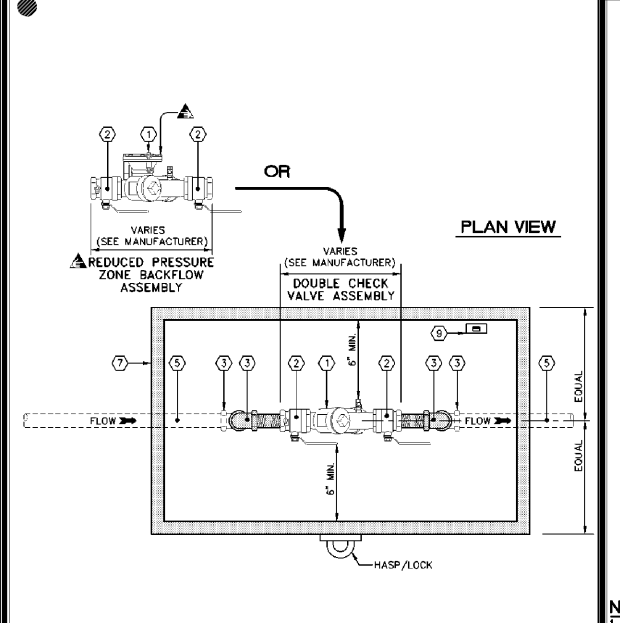
**NOTES:**  
 1. Existing mains only. - New construction must use In-Line Wye, Detail 733.01.  
 2. See detail 733.01 for typical pvc sewer lateral, cleanout, and tap.  
 3. The full length of the trench shall be compacted in 6" layers with mechanical tamp.  
 4. Solvent cement for pvc pipe and fittings to be ASTM D-2554.  
 5. Wye & coupling must be bedded in #57 stone. Bedding and handling of service pipe must comply with Class B bedding (See bedding detail for gravity mains).



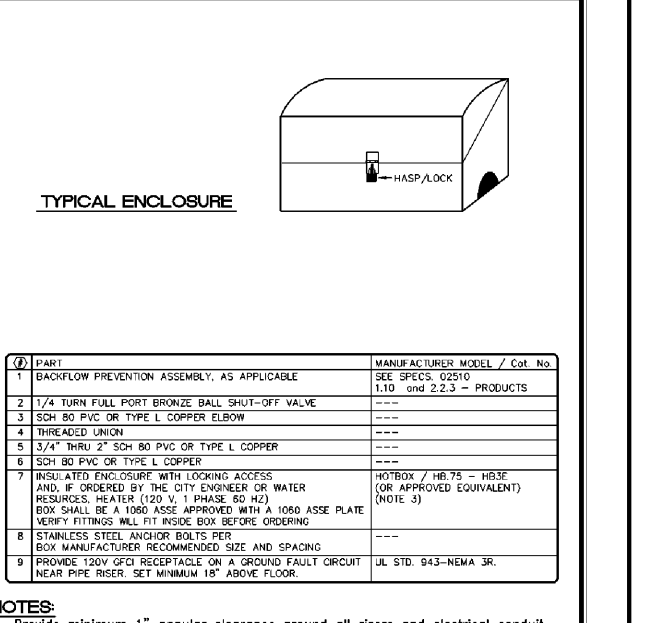
**YARD HYDRANT (NON-FREEZE)**



**3/4" to 2" DCV, RPZ ASSEMBLY (ABOVE GROUND)**



**3/4" to 2" DCV, RPZ ASSEMBLY (ABOVE GROUND)**



**3/4" to 2" DCV, RPZ ASSEMBLY (ABOVE GROUND)**

**CITY OF WILSON, N.C.**  
 TYPICAL IN-LINE WYE (FOR EXISTING MAINS)  
 SCALE: Not To Scale  
 DETAIL # 733.02  
 SHEET # 1 of 1  
 REVISION DATE: June, 2010

**CITY OF WILSON, N.C.**  
 YARD HYDRANT (NON-FREEZE)  
 SCALE: Not To Scale  
 DETAIL # 739.01  
 SHEET # 1 of 1  
 REVISION DATE: June, 2010

**CITY OF WILSON, N.C.**  
 3/4" to 2" DCV, RPZ ASSEMBLY (ABOVE GROUND)  
 SCALE: Not To Scale  
 DETAIL # 519.02  
 SHEET # 1 of 3  
 REVISION DATE: June, 2010

**CITY OF WILSON, N.C.**  
 3/4" to 2" DCV, RPZ ASSEMBLY (ABOVE GROUND)  
 SCALE: Not To Scale  
 DETAIL # 519.02  
 SHEET # 2 of 3  
 REVISION DATE: June, 2010

**CITY OF WILSON, N.C.**  
 3/4" to 2" DCV, RPZ ASSEMBLY (ABOVE GROUND)  
 SCALE: Not To Scale  
 DETAIL # 519.02  
 SHEET # 3 of 3  
 REVISION DATE: June, 2010



**STARBUCKS - RALEIGH ROAD REAL ZEAL PROPERTY GROUP**  
 5019 RALEIGH ROAD PKWY W & 4921 HAYES PLACE W  
 WILSON, NORTH CAROLINA



**CIVIL DETAILS**  
**C5.6**