

CITY of WILSON, N.C.
 Public Services Department
 1800 Herring Avenue / P.O. Box 10
 Wilson, North Carolina 27894
 Voice (252) 399-2465
 FAX (252) 399-2453
 www.wilsonnc.org

FORCE MAIN & WATER MAIN PIPE LAYING CONDITIONS
 SCALE: Not To Scale
 DETAIL # 511.01
 SHEET # 1 of 1
 REVISION DATE: June, 2010

CITY of WILSON, N.C.
 Public Services Department
 1800 Herring Avenue / P.O. Box 10
 Wilson, North Carolina 27894
 Voice (252) 399-2465
 FAX (252) 399-2453
 www.wilsonnc.org

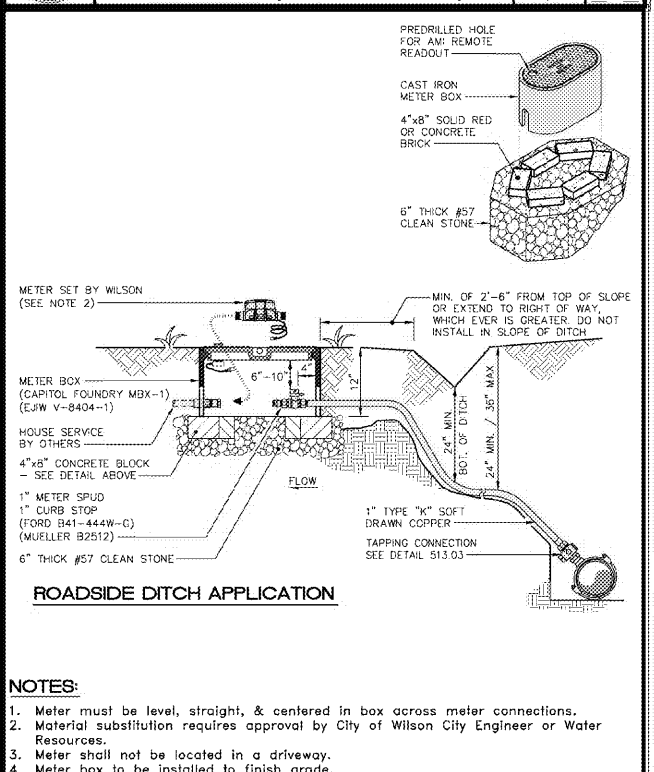
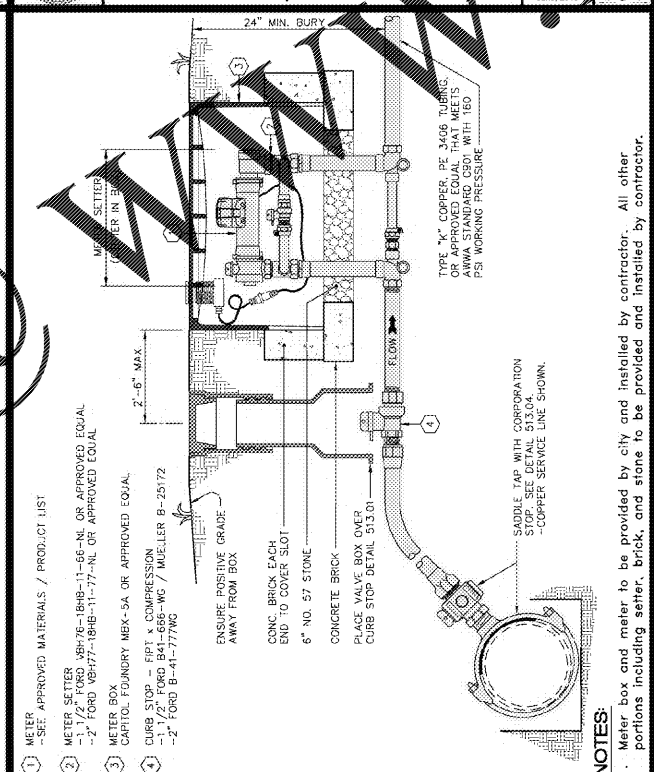
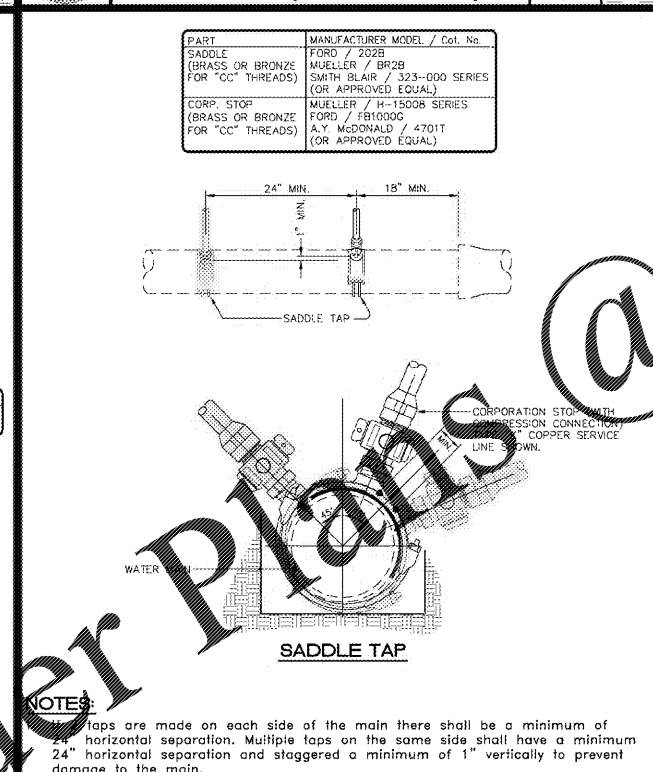
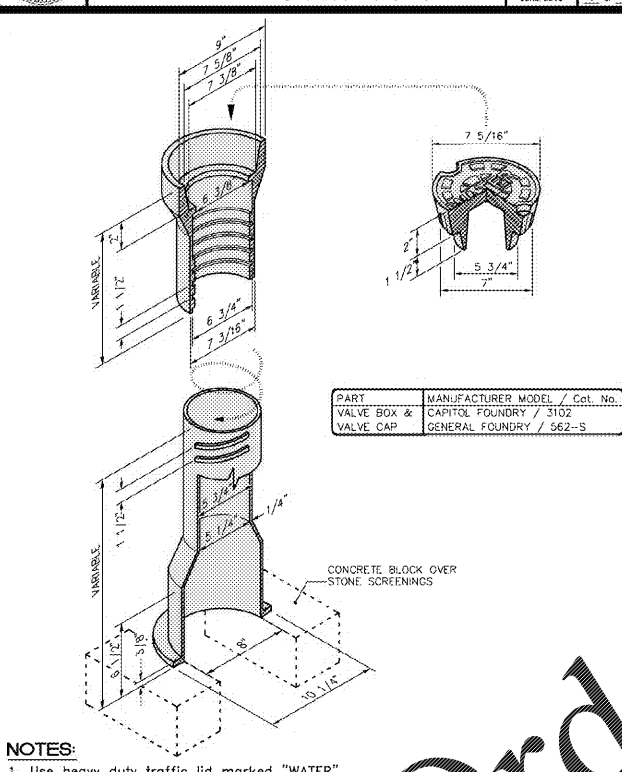
3/4" to 2" DCV, RPZ ASSEMBLY (ABOVE GROUND)
 SCALE: Not To Scale
 DETAIL # 519.02
 SHEET # 1 of 3
 REVISION DATE: June, 2010

CITY of WILSON, N.C.
 Public Services Department
 1800 Herring Avenue / P.O. Box 10
 Wilson, North Carolina 27894
 Voice (252) 399-2465
 FAX (252) 399-2453
 www.wilsonnc.org

3/4" to 2" DCV, RPZ ASSEMBLY (ABOVE GROUND)
 SCALE: Not To Scale
 DETAIL # 519.02
 SHEET # 2 of 3
 REVISION DATE: June, 2010

CITY of WILSON, N.C.
 Public Services Department
 1800 Herring Avenue / P.O. Box 10
 Wilson, North Carolina 27894
 Voice (252) 399-2465
 FAX (252) 399-2453
 www.wilsonnc.org

3/4" to 2" DCV, RPZ ASSEMBLY (ABOVE GROUND)
 SCALE: Not To Scale
 DETAIL # 519.02
 SHEET # 3 of 3
 REVISION DATE: June, 2010



CITY of WILSON, N.C.
 Public Services Department
 1800 Herring Avenue / P.O. Box 10
 Wilson, North Carolina 27894
 Voice (252) 399-2465
 FAX (252) 399-2453
 www.wilsonnc.org

STANDARD SCREW VALVE BOX DETAIL
 SCALE: Not To Scale
 DETAIL # 511.01
 SHEET # 1 of 1
 REVISION DATE: June, 2010

CITY of WILSON, N.C.
 Public Services Department
 1800 Herring Avenue / P.O. Box 10
 Wilson, North Carolina 27894
 Voice (252) 399-2465
 FAX (252) 399-2453
 www.wilsonnc.org

STANDARD WATER TAP DETAIL (1", 1 1/2", & 2" TAPS)
 SCALE: Not To Scale
 DETAIL # 513.04
 SHEET # 1 of 1
 REVISION DATE: June, 2010

CITY of WILSON, N.C.
 Public Services Department
 1800 Herring Avenue / P.O. Box 10
 Wilson, North Carolina 27894
 Voice (252) 399-2465
 FAX (252) 399-2453
 www.wilsonnc.org

STANDARD 1 1/2" & 2" METER ASSEMBLY
 SCALE: Not To Scale
 DETAIL # 515.03
 SHEET # 1 of 1
 REVISION DATE: March, 2016

CITY of WILSON, N.C.
 Public Services Department
 1800 Herring Avenue / P.O. Box 10
 Wilson, North Carolina 27894
 Voice (252) 399-2465
 FAX (252) 399-2453
 www.wilsonnc.org

STANDARD 1" DOMESTIC WATER METER INSTALLATION
 SCALE: Not To Scale
 DETAIL # 515.01
 SHEET # 2 of 2
 REVISION DATE: March, 2016

06/04/2020 TRC STAMP CITY COUNCIL STAMP TARR GROUP PROJECT #: 19045

STARBUCKS - RALEIGH ROAD REAL ZEAL PROPERTY GROUP
 5019 RALEIGH ROAD PKWY W & 4921 HAYES PLACE W
 WILSON, NORTH CAROLINA

TARR
 8650 E. STATE ROAD 32
 ZIONSVILLE, IN 48077
 PHONE: 843-633-3579
 EMAIL: KEVIN@TARR-GROUP.COM

FINAL DRAWING - FOR REVIEW PURPOSES ONLY N.C. FIRM # P-1919

ORIGINAL ISSUE DATE: 06/04/2020
 REVISIONS:

CIVIL DETAILS
C5.4

19045-C5.4-DETAILS.dwg

