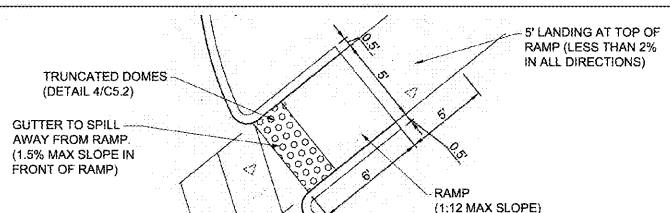
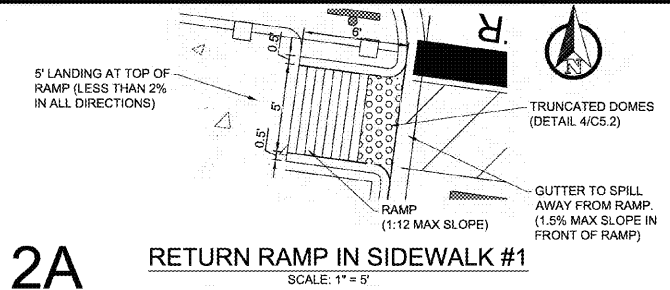


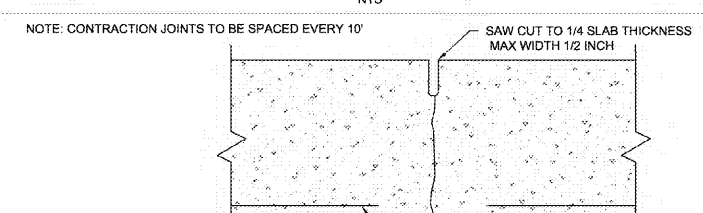
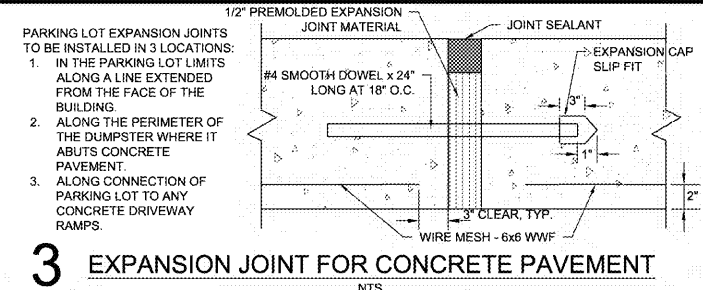
- LIGHT DUTY**
- (A) 2" SURFACE COURSE (TYPE NCDOT S9.5B ASPHALTIC CONCRETE)
 - (B) 6" CRUSHED AGGREGATE BASE (NCDOT ABC)
 - (C) STABILIZED SUBGRADE PER GEOTECHNICAL RECOMMENDATIONS
- MEDIUM DUTY**
- (A) 3" SURFACE COURSE (TYPE NCDOT S9.5B ASPHALTIC CONCRETE)
 - (B) 6" CRUSHED AGGREGATE BASE (NCDOT ABC)
 - (C) STABILIZED SUBGRADE PER GEOTECHNICAL RECOMMENDATIONS

1 PAVEMENT SECTIONS
NTS



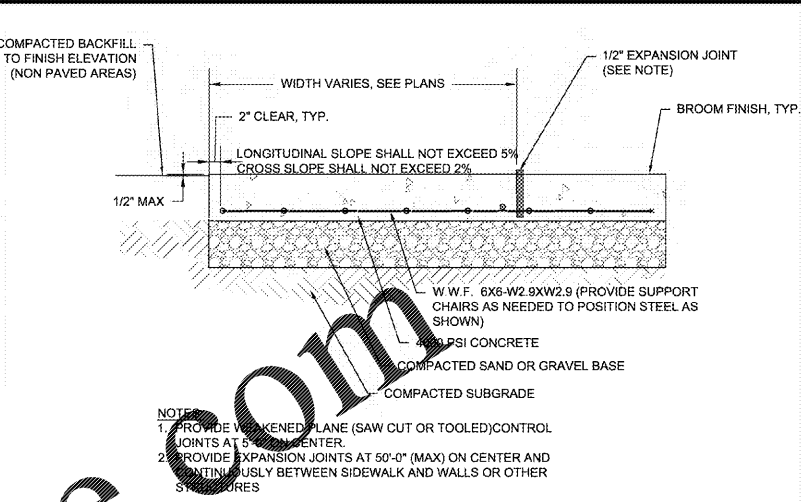
2A RETURN RAMP IN SIDEWALK #1
SCALE: 1" = 5'

2B RETURN RAMP IN SIDEWALK #2
SCALE: 1" = 5'

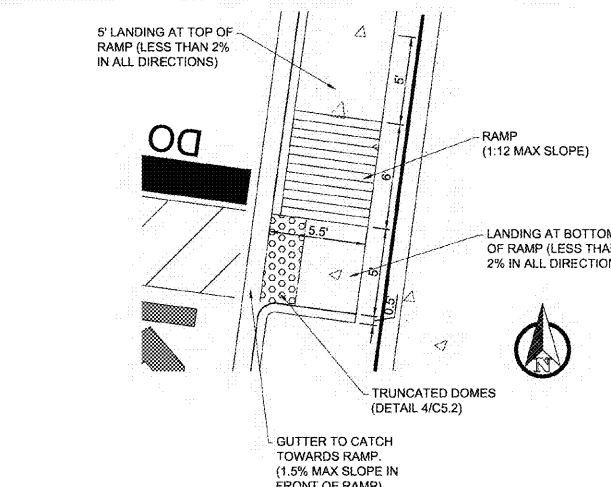


3 EXPANSION JOINT FOR CONCRETE PAVEMENT
NTS

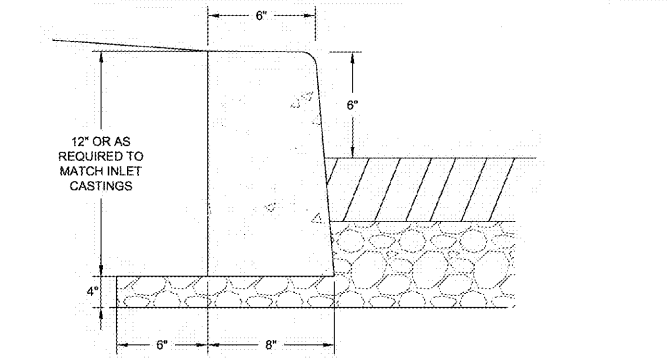
4 CONTRACTION JOINTS IN CONCRETE
NTS



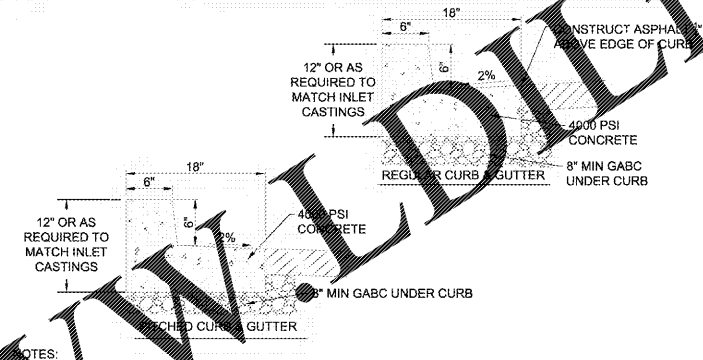
CONCRETE SIDEWALK SECTION
NTS



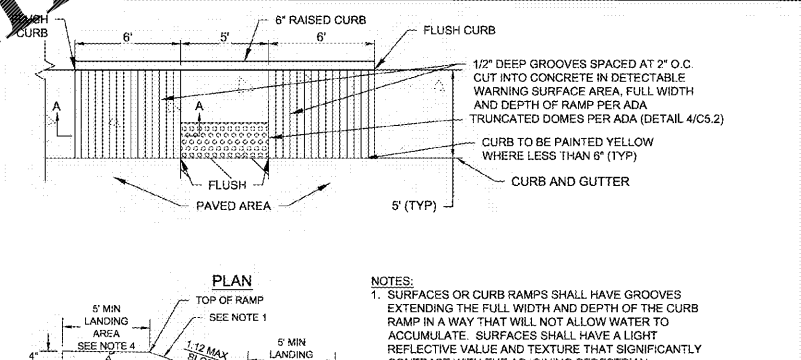
6 FLUSH RAMP IN SIDEWALK
SCALE: 1" = 5'



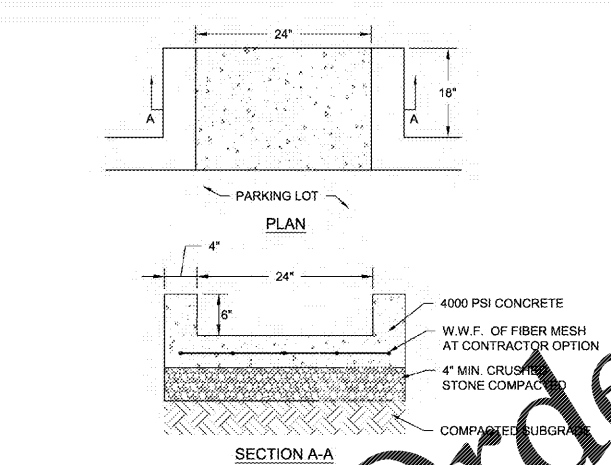
7 CONCRETE POST CURB
NTS



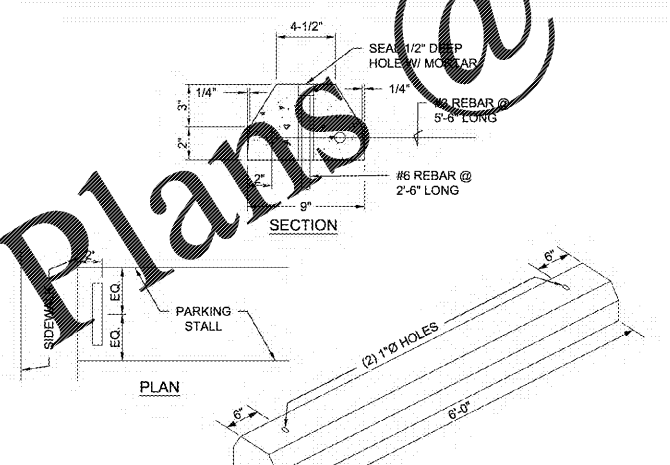
8 CONCRETE CURB AND GUTTER
NTS



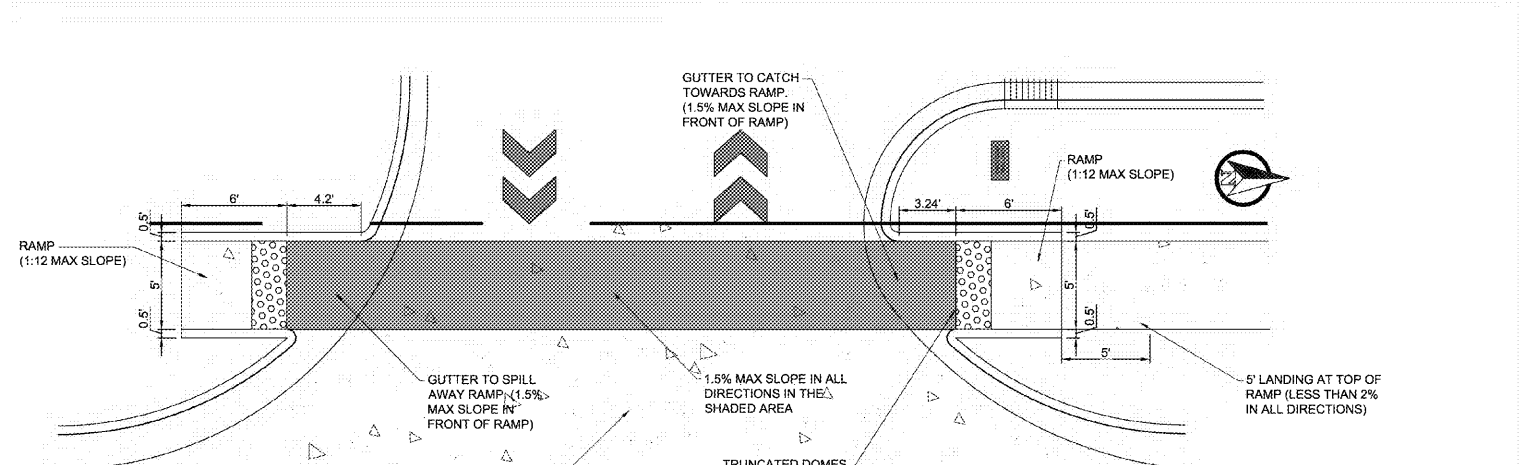
9 PARALLEL RAMP IN SIDEWALK
NTS



10 CONCRETE FUME
NTS



11 PRECAST CONCRETE WHEEL STOP
NTS



12 DRIVEWAY RAMP
1" = 5'

19045-C5.1-DETAILS.dwg

08/31/2020

TRC STAMP

CITY COUNCIL STAMP

STARBUCKS - RALEIGH ROAD
REAL ZEAL PROPERTY GROUP
5019 RALEIGH ROAD PKWY W (LOT 6A) & 5025 RALEIGH ROAD PKWY W (LOT 3A)
WILSON, NORTH CAROLINA

TARR GROUP PROJECT #: 19045

FINAL DRAWING - FOR REVIEW PURPOSES ONLY

N.C. FIRM #: P-1919

8650 E. STATE ROAD 32
ZIONSVILLE, IN 48077
PHONE: 843-633-3579
EMAIL: KEVIN@TARR-GROUP.COM

ORIGINAL ISSUE DATE: 08/04/2020

REVISIONS:	DATE
PER STARBUCKS COMMENTS	08/19/2020
PER CITY OF WILSON COMMENTS	08/31/2020

CIVIL DETAILS

C5.1