



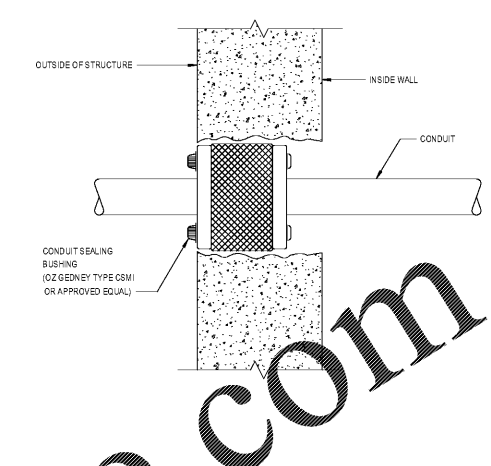
SHEET NO.	DATE	DESCRIPTION	BY
1	08/22/20	ISSUE FOR 80-PERMIT	RMF

PRINCIPAL IN CHARGE: ALM CDC
PROJECT ENGINEER: TMM
DRAWN BY:

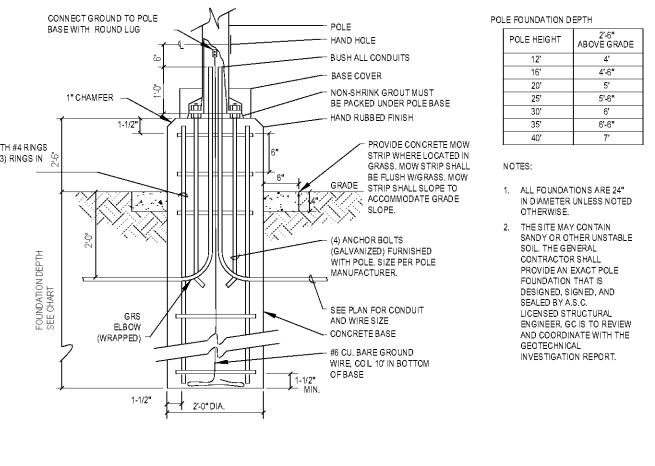
SHEET TITLE:
ELECTRICAL DETAILS

SHEET NO. PROJ. NO.
1 019216.00

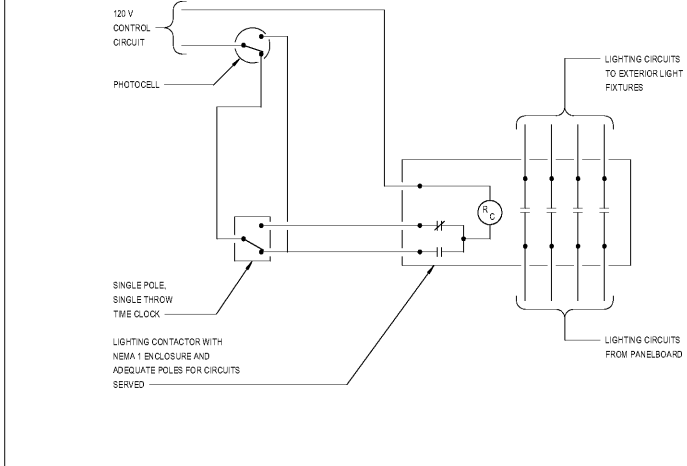
E-404



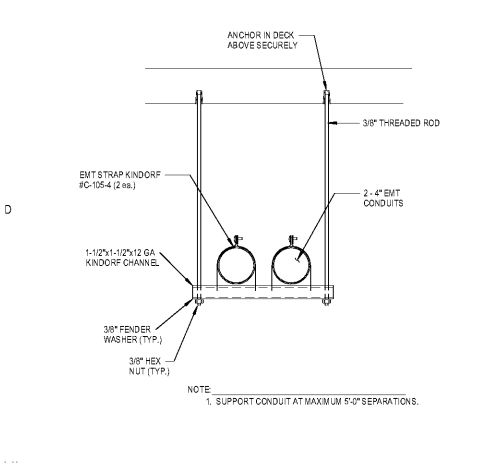
DETAIL - OUTSIDE WALL PENETRATION SCALE: NONE 4



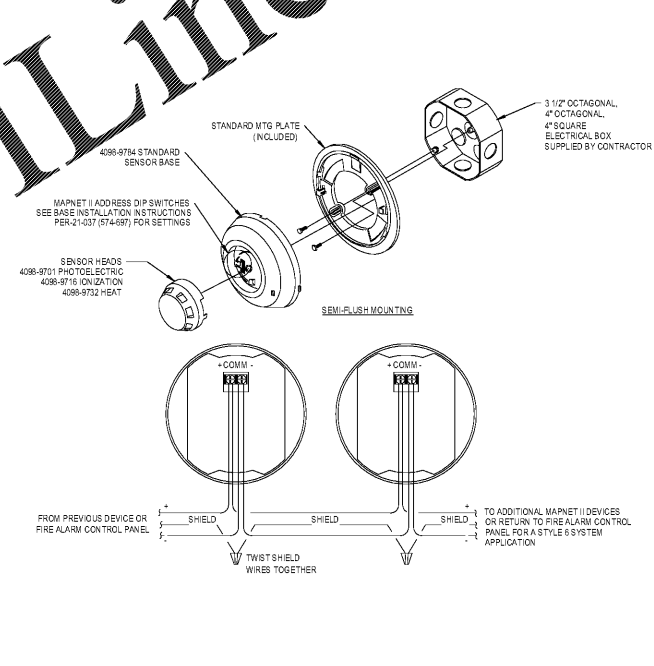
DETAIL - LIGHTING POLE BASE SCALE: NONE 3



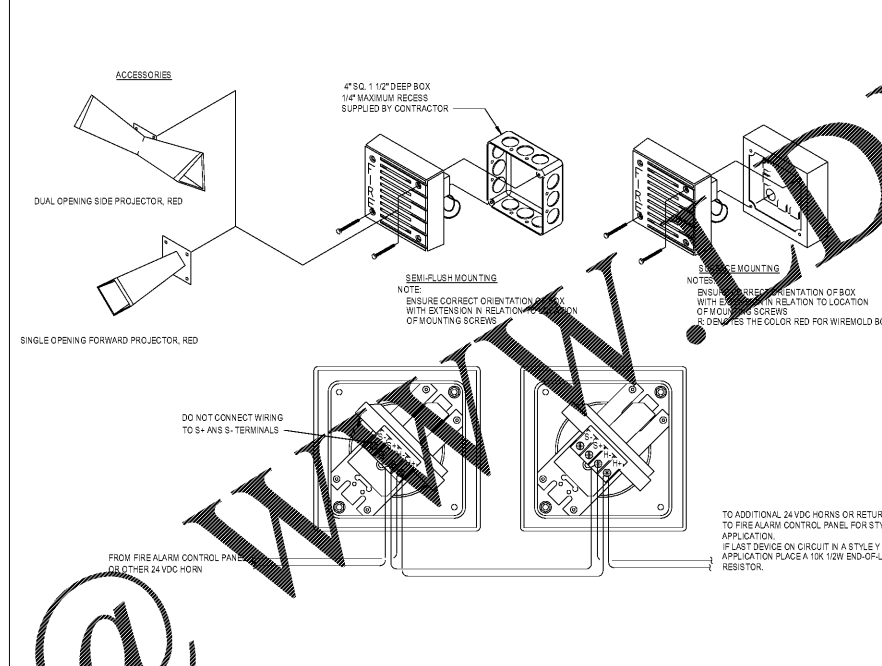
DETAIL - LIGHTING WIRING SCALE: NONE 2



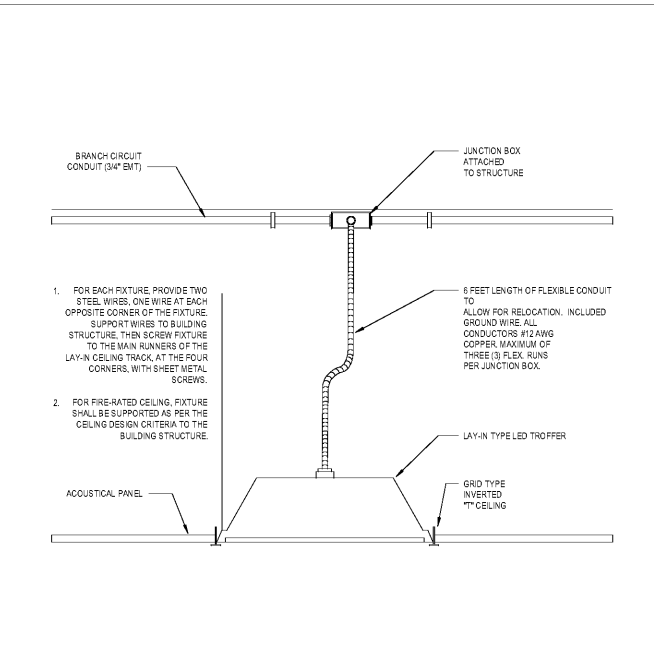
DETAIL - CONDUIT SUPPORT SCALE: NONE 1



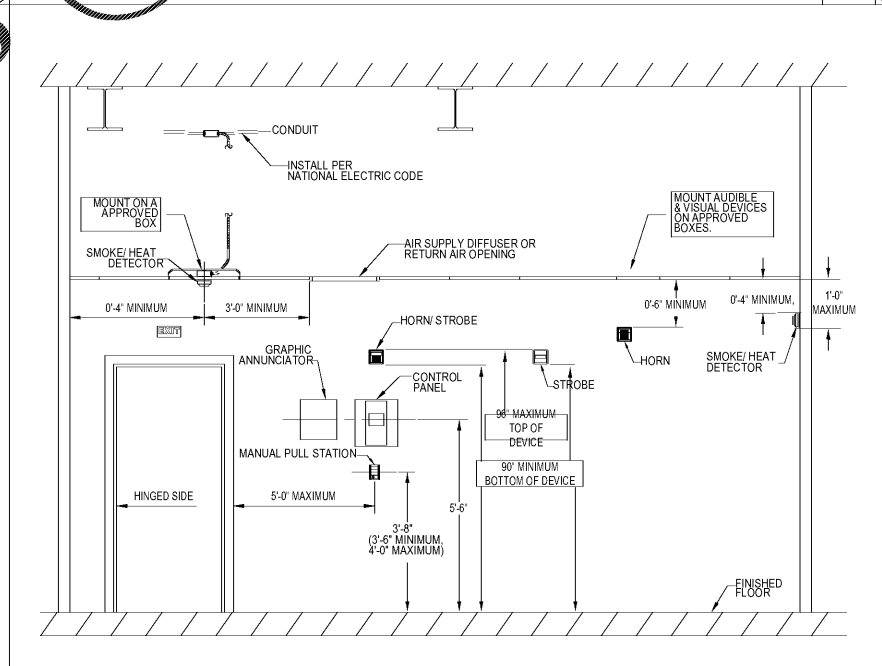
DETAIL - AUDIBLE APPLIANCE MOUNTING SCALE: NONE 6



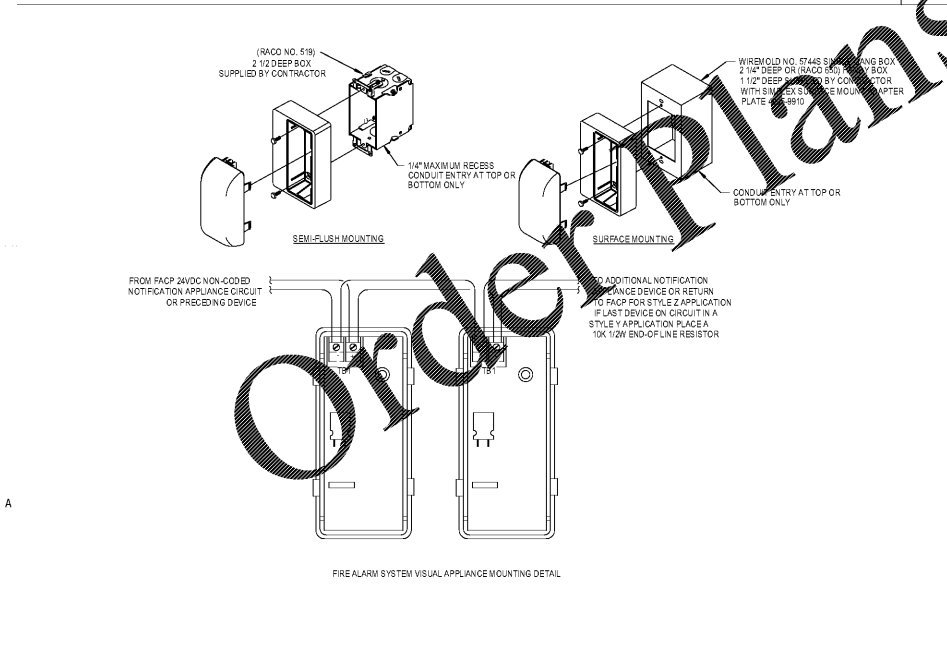
DETAIL - MANUAL INITIATING DEVICE MOUNTING SCALE: NONE 5



DETAIL - LIGHTING FIXTURE MOUNTING SCALE: NONE 9



DETAIL - TYPICAL FIRE ALARM DEVICE MOUNTING SCALE: NONE 8



DETAIL - VISUAL APPLIANCE MOUNTING SCALE: NONE 7

ALL RIGHTS RESERVED. THE INFORMATION CONTAINED HEREIN IS THE PROPERTY OF RMF ENGINEERING, INC. AND IS TO BE USED ONLY FOR THE PROJECT AND SITE SPECIFICALLY IDENTIFIED HEREIN. ANY REUSE OR REPRODUCTION OF THIS INFORMATION WITHOUT THE WRITTEN PERMISSION OF RMF ENGINEERING, INC. IS STRICTLY PROHIBITED.