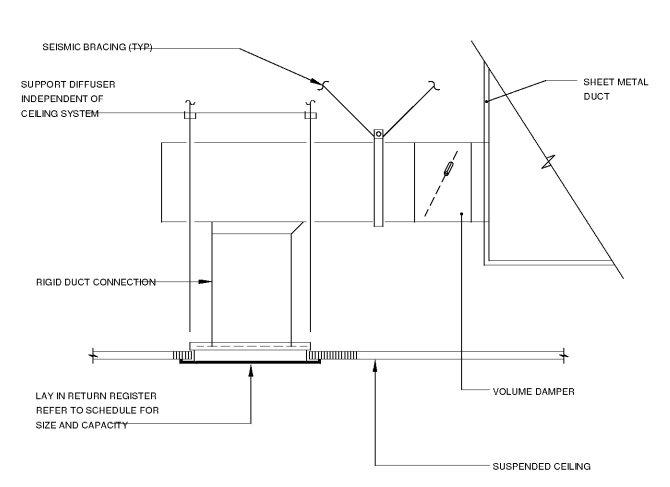


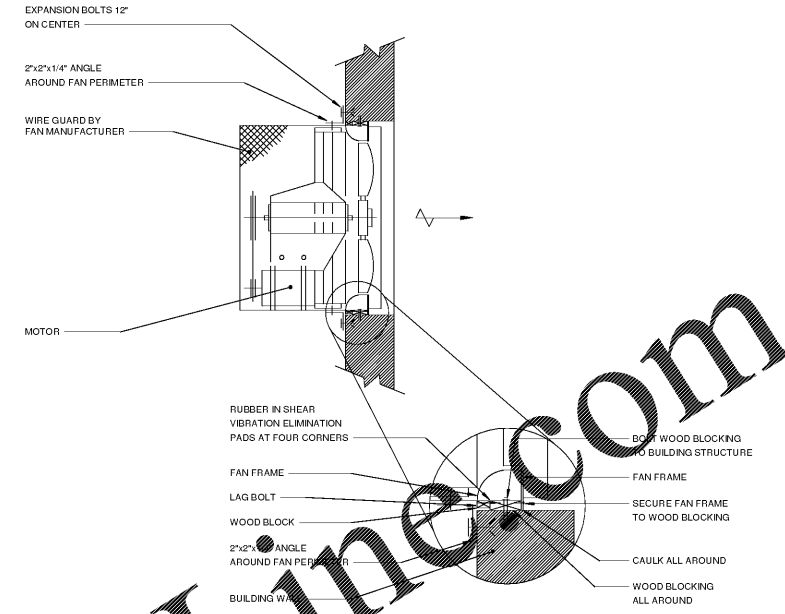
- NOTES:
1. DUCT INSULATION SHALL BE PROVIDED AS SPECIFIED.
 2. PROVIDE ADDITIONAL ROUND, RIGID SHEET METAL DUCTWORK AS REQUIRED TO LIMIT FLEXIBLE DUCT LENGTH TO 6'-0" MAXIMUM.
 3. MAXIMUM SAG 1/2" PER FOOT.
 4. PROVIDE SEISMIC SWAY BRACING FOR ALL DUCTWORK AND HANGERS PER THE INTERNATIONAL BUILDING CODE AND 2018 NORTH CAROLINA MECHANICAL CODE.
 5. CONTRACTOR SHALL VERIFY MAXIMUM LOADING ON DUCTWORK SUPPORT ASSEMBLIES.

DETAIL - CEILING DIFFUSER BRANCH DUCT SCALE: NONE 3

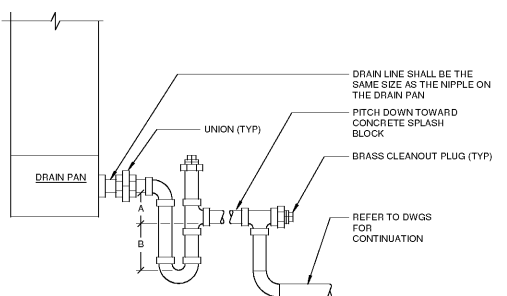


- NOTES:
1. DUCT INSULATION SHALL BE PROVIDED AS SPECIFIED.
 2. PROVIDE SEISMIC SWAY BRACING FOR ALL DUCTWORK AND HANGERS PER THE INTERNATIONAL BUILDING CODE AND 2018 NORTH CAROLINA MECHANICAL CODE.
 3. CONTRACTOR SHALL VERIFY MAXIMUM LOADING ON DUCTWORK SUPPORT ASSEMBLIES.

DETAIL - RETURN AIR REGISTER BRANCH DUCT SCALE: NONE 2

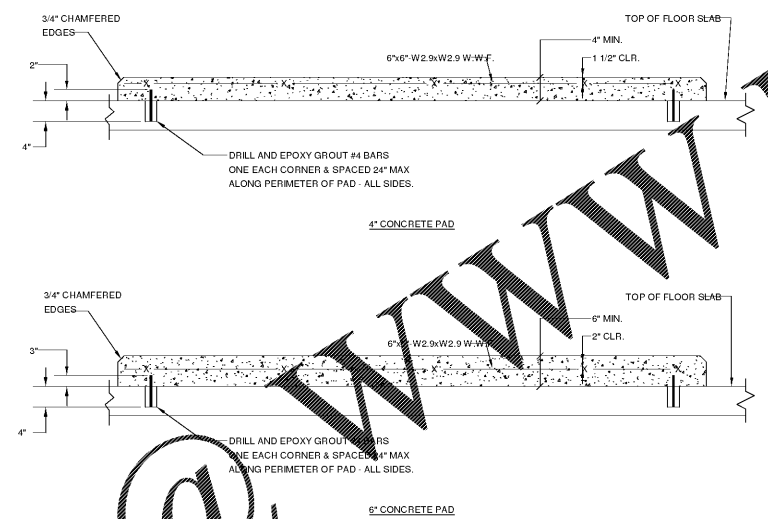


DETAIL - WALL MOUNTED PROP FAN SCALE: NONE 1



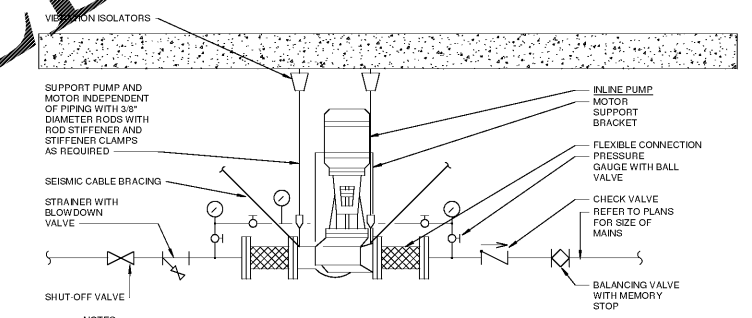
- NOTE:
FOR THE DRAW THRU FAN COIL UNIT:
A - THE FCU SUPPLY FAN TOTAL STATIC PRESSURE (INCHES) PLUS TWO (2) INCHES.
B - THE FCU SUPPLY FAN TOTAL STATIC PRESSURE (INCHES)

DETAIL - COIL CONDENSATE DEEP SEAL TRAP (ABOVE CEILING) SCALE: NONE 6



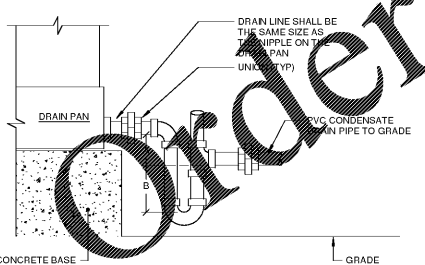
- NOTE:
1. SET PAD 6\"/>

DETAIL - CONCRETE PAD SCALE: NONE 5



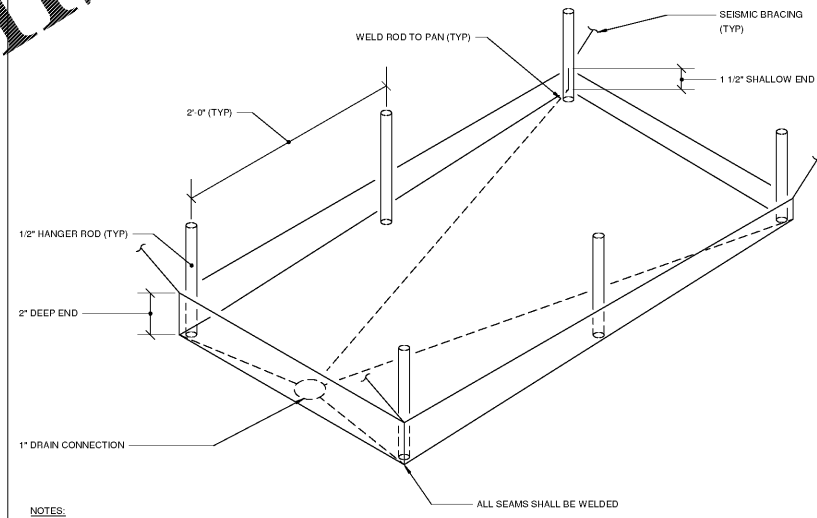
- NOTES:
1. PUMP SHALL BE INSTALLED HORIZONTAL OR VERTICAL AS REQUIRED BY THE PUMP MANUFACTURER.
 2. PROVIDE SEISMIC SWAY BRACING FOR ALL EQUIPMENT HANGERS PER THE INTERNATIONAL BUILDING CODE AND THE 2018 NORTH CAROLINA MECHANICAL CODE.
 3. CONTRACTOR SHALL VERIFY MAXIMUM LOADING ON EQUIPMENT SUPPORT ASSEMBLIES.

DETAIL - INLINE PUMP (SUSPENDED) SCALE: NONE 4



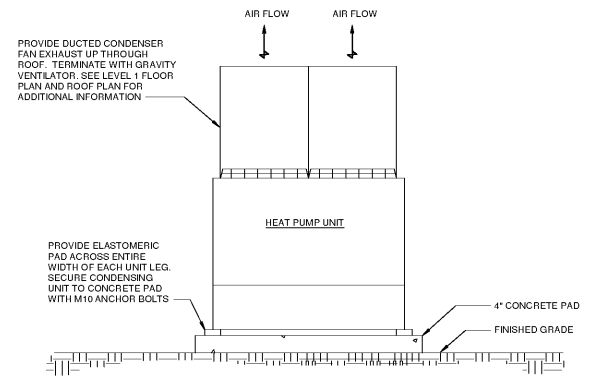
- NOTES:
1. REFER TO MANUFACTURER'S WRITTEN INSTRUCTIONS FOR PIPE SIZES AND TRAP CONFIGURATION.

DETAIL - COIL CONDENSATE DEEP SEAL TRAP (CONCRETE PAD) SCALE: NONE 9



- NOTES:
1. DRIP PAN SHALL BE 3\"/>
 - 2. PROVIDE SEISMIC SWAY BRACING FOR DRIP PAN IN ACCORDANCE WITH THE INTERNATIONAL BUILDING CODE AND THE 2018 NORTH CAROLINA MECHANICAL CODE.
 - 3. CONTRACTOR SHALL VERIFY MAXIMUM LOADING ON DRIP PAN SUPPORT ASSEMBLIES.

DETAIL - AUXILIARY DRAIN PAN SCALE: NONE 8



DETAIL - AIR COOLED HEAT PUMP UNIT ON GRADE SCALE: NONE 7

| SHEET ISSUE NO. | DATE | DESCRIPTION | BY |
|-----------------|------------|------------------------|-----|
| 1 | 09/02/2020 | ISSUE FOR BID + PERMIT | RMF |

PRINCIPAL IN CHARGE
PROJECT ARCHITECT
DRAWN BY: Author
SHEET TITLE
**MECHANICAL
DETAILS (2 OF 3)**

SHEET NO. PROJ. NO. 019216.00

M502