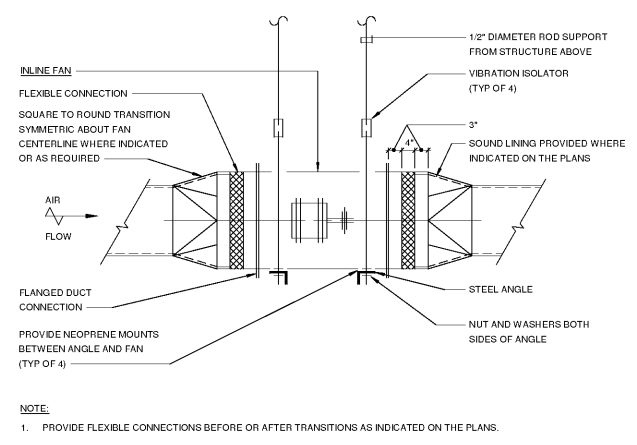
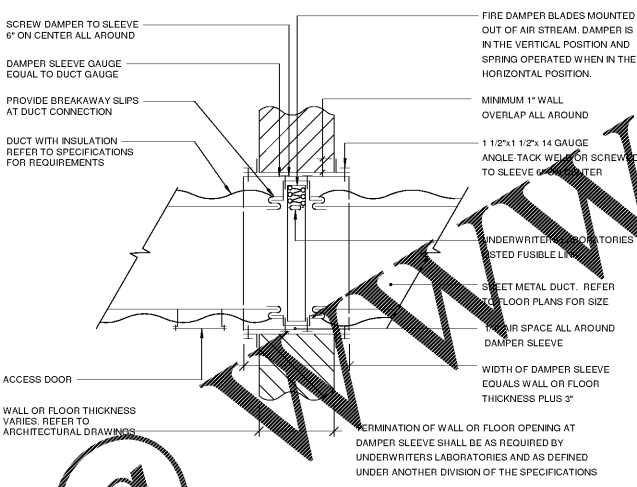


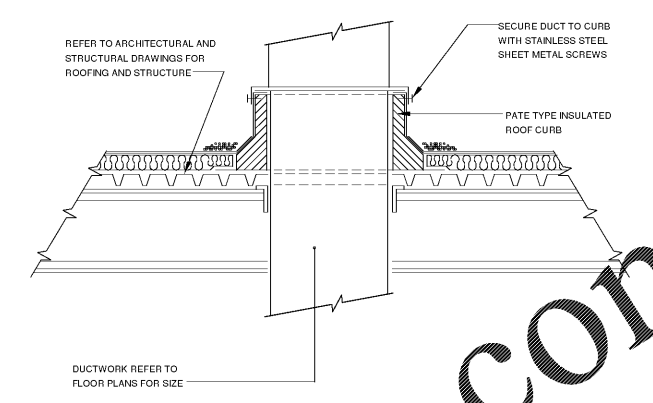
DETAIL - RECTANGULAR DUCT FITTINGS SCALE: NONE 5



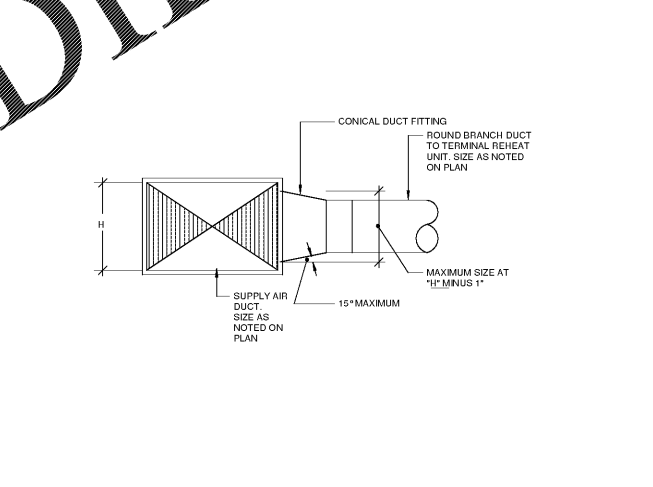
DETAIL - INLINE FAN INSTALLATION SCALE: NONE 2



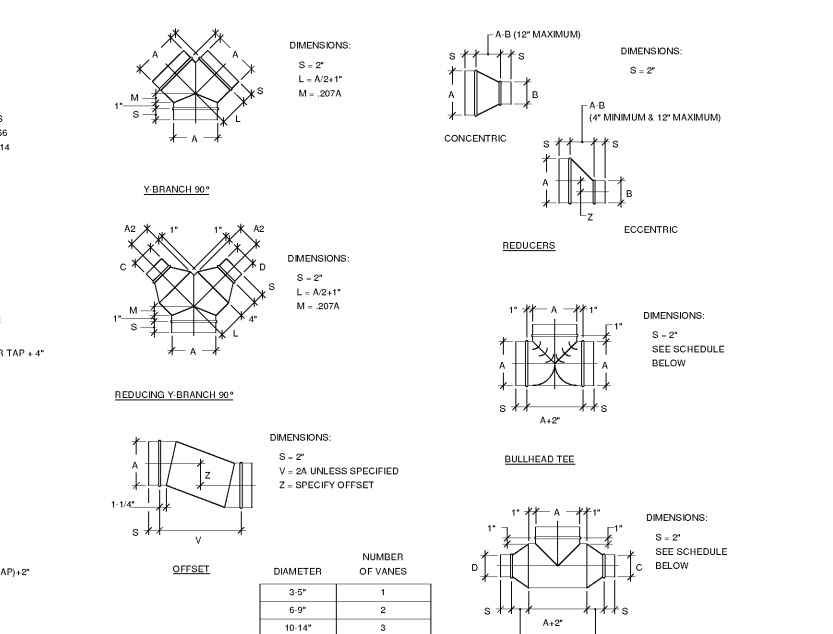
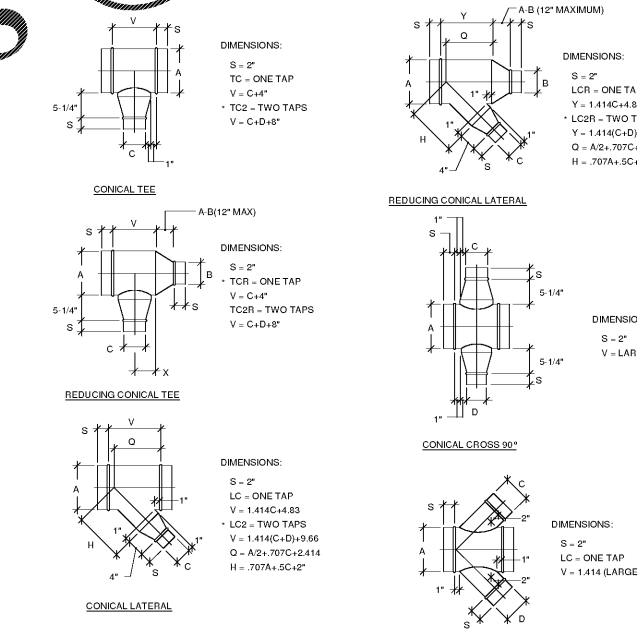
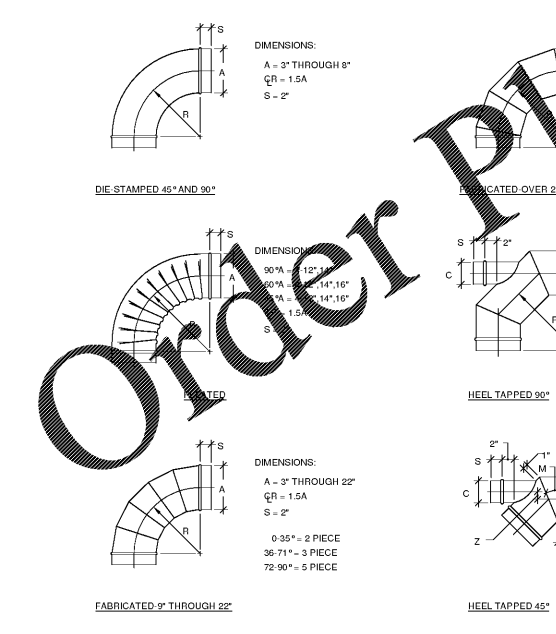
DETAIL - FIRE DAMPER INSTALLATION SCALE: NONE 4



DETAIL - DUCT ROOF PENETRATION SCALE: NONE 1



DETAIL - CONICAL DUCT TAP FITTING SCALE: NONE 3



NOTES:  
• IF TWO TAPS, BOTH TAPS ARE IN LINE ON ONE SIDE AND THE TAPS ARE SEPARATED BY 2 INCHES

DETAIL - ROUND DUCT FITTINGS SCALE: NONE 6

DIAMETER	NUMBER OF VANES
3-5"	1
6-9"	2
10-14"	3
15-19"	4
20-60"	5
OVER 60"	12" CTR'S

SHEET ISSUE  
NO. DATE DESCRIPTION BY  
1 09/02/2020 ISSUE FOR BID + PERMIT RFM

PRINCIPAL IN CHARGE  
PROJECT ARCHITECT  
DRAWN BY: Author

SHEET TITLE  
MECHANICAL  
DETAILS (1 OF 3)

SHEET NO. PROJ. NO.  
M501 019216.00