

JACKSON COUNTY  
ANIMAL RESCUE CENTER AND GREEN ENERGY  
PARK  
DILLSBORO, NORTH CAROLINA

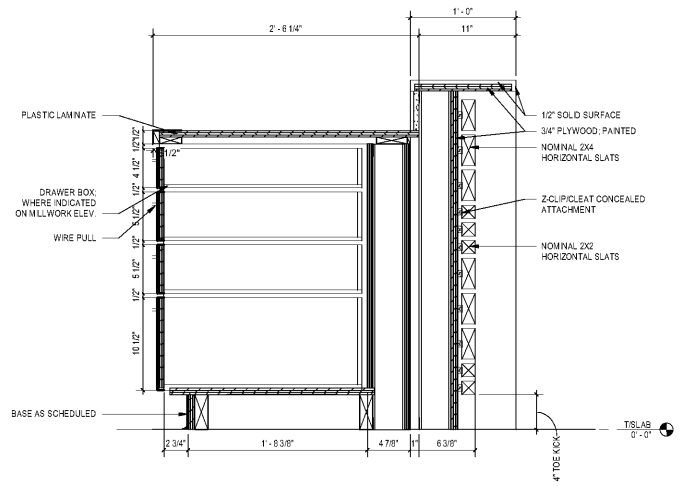
SHEET ISSUE NO.	DATE	DESCRIPTION	BY
1	9/22/2020	ISSUE FOR BID + PERMIT	

PRINCIPAL IN CHARGE  
PROJECT ARCHITECT  
DRAWN BY: CP  
KM

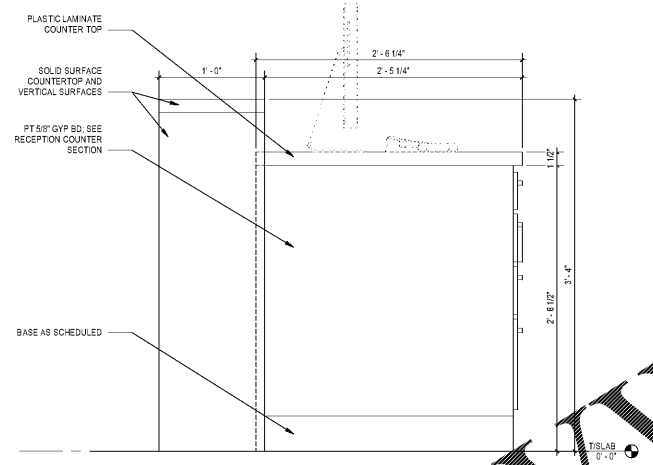
SHEET TITLE:  
**RECEPTION DESK DETAILS**

SHEET NO. PROJ. NO.  
019216.00

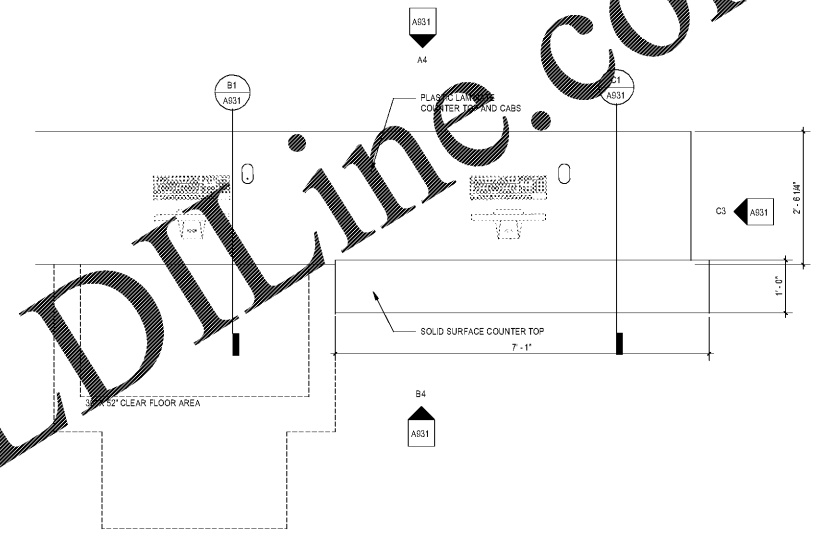
**A931**



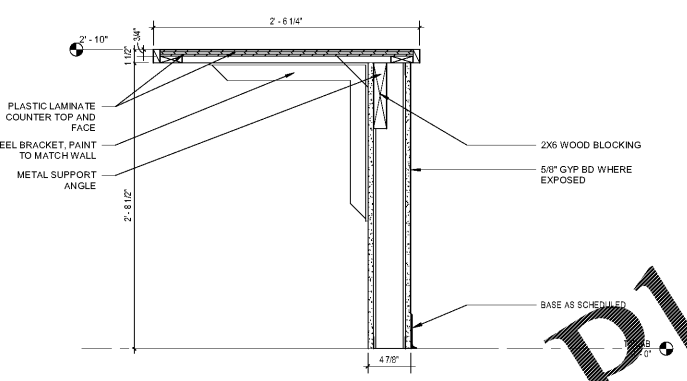
**C1 RECEPTION SECTION**  
1 1/2" = 1'-0"



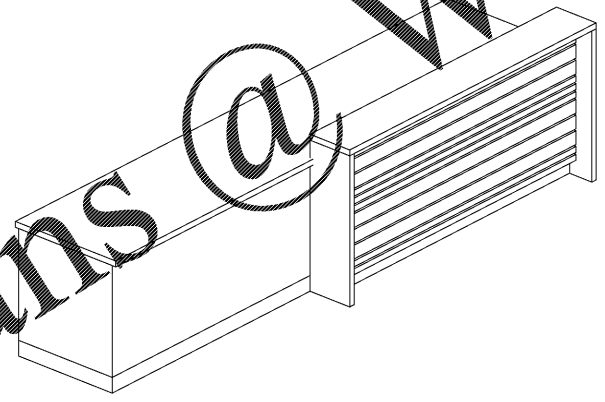
**C3 RECEPTION DESK SIDE ELEVATION**  
1 1/2" = 1'-0"



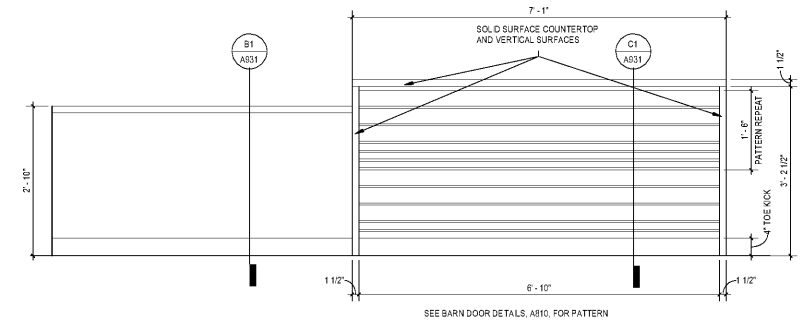
**C4 RECEPTION DESK PLAN**  
3/4" = 1'-0"



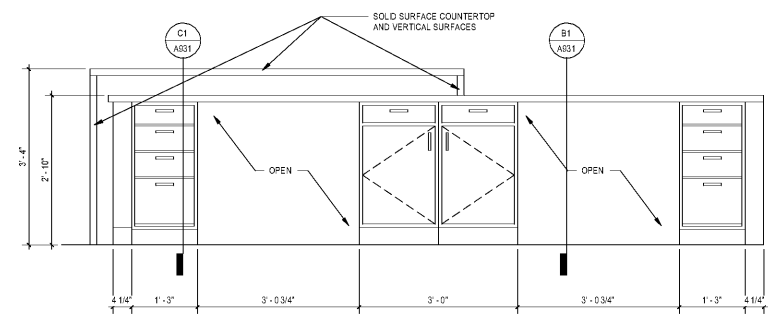
**B1 RECEPTION COUNTER SECTION**  
1 1/2" = 1'-0"



3D PERSPECTIVE SHOWN FOR REFERENCE ONLY



**B4 RECEPTION DESK FRONT ELEVATION**  
3/4" = 1'-0"



**A4 RECEPTION DESK BACK ELEVATION**  
3/4" = 1'-0"

Order Plans @ WWW.LDILine.com

NOT TO SCALE. DIMENSIONS SHOWN IN THIS DRAWING SHALL BE THE GOVERNING DIMENSIONS. ALL DIMENSIONS ARE TO FACE UNLESS OTHERWISE NOTED. MATERIALS AND FINISHES ARE AS SHOWN IN THE SCHEDULE AND SPECIFICATIONS. THE CONTRACTOR SHALL BE RESPONSIBLE FOR OBTAINING ALL NECESSARY PERMITS AND APPROVALS. THE ARCHITECT SHALL NOT BE RESPONSIBLE FOR THE ACCURACY OF ANY DIMENSIONS OR MATERIALS SHOWN IN THIS DRAWING. THE CONTRACTOR SHALL BE RESPONSIBLE FOR VERIFYING ALL DIMENSIONS AND MATERIALS ON THE JOB SITE. THE ARCHITECT SHALL NOT BE RESPONSIBLE FOR ANY DAMAGE TO OR LOSS OF ANY PROPERTY OR PERSONS. THE CONTRACTOR SHALL BE RESPONSIBLE FOR OBTAINING ALL NECESSARY PERMITS AND APPROVALS. THE ARCHITECT SHALL NOT BE RESPONSIBLE FOR THE ACCURACY OF ANY DIMENSIONS OR MATERIALS SHOWN IN THIS DRAWING. THE CONTRACTOR SHALL BE RESPONSIBLE FOR VERIFYING ALL DIMENSIONS AND MATERIALS ON THE JOB SITE. THE ARCHITECT SHALL NOT BE RESPONSIBLE FOR ANY DAMAGE TO OR LOSS OF ANY PROPERTY OR PERSONS.