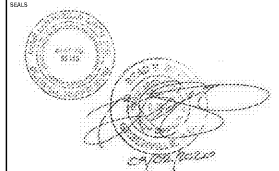


1. METAL ROOF PANELS, GUTTERS, DS, RIDGE CAP AND ALL PENETRATIONS ARE COMPONENTS OF THE METAL BUILDING SYSTEM
2. REFER TO EXTERIOR ELEVATIONS FOR EAVE, RAKE, GUTTER, AND DOWNSPOUT LOCATIONS
3. REFER TO RCP FOR EXTENT OF INSULATED METAL BUILDING SYSTEM ROOF

CONSULTANT LOG

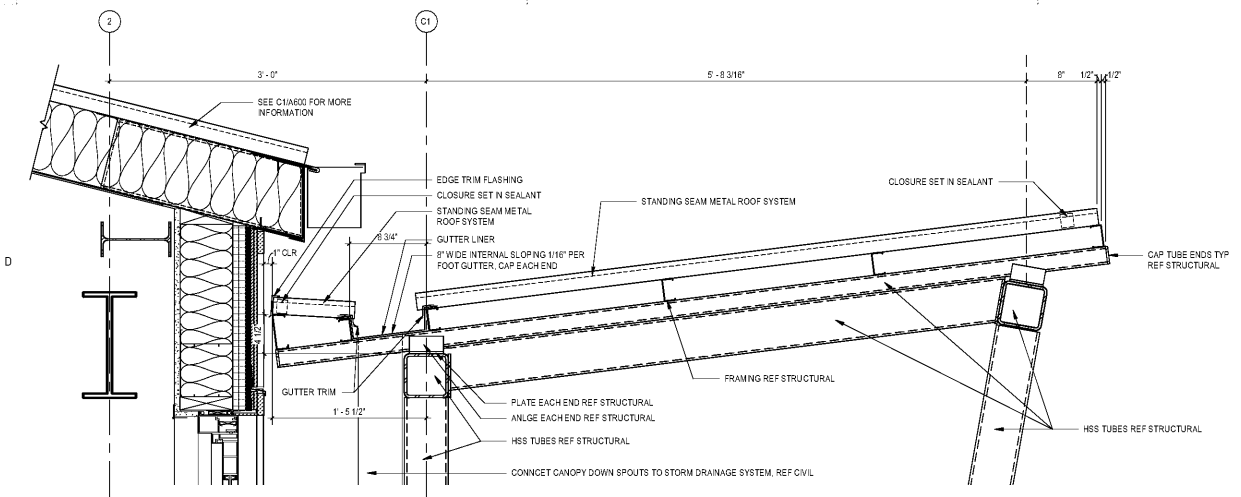


JACKSON COUNTY  
**ANIMAL RESCUE CENTER AND GREEN ENERGY  
PARK**  
DILLSBORO, NORTH CAROLINA

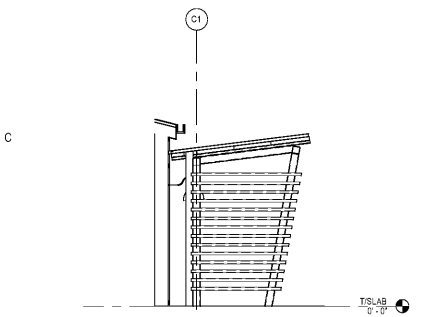
SHEET ISSUE NO.	DATE	DESCRIPTION	BY
1	9/22/2020	ISSUE FOR BID + PERMIT	CP ADD

PRINCIPAL IN CHARGE  
PROJECT ARCHITECT  
DRAWN BY:  
SHEET TITLE:  
**ROOF PLAN,  
CANOPY PLANS,  
ELEVATIONS, +  
SECTIONS**  
PROJ. NO.  
019216.00

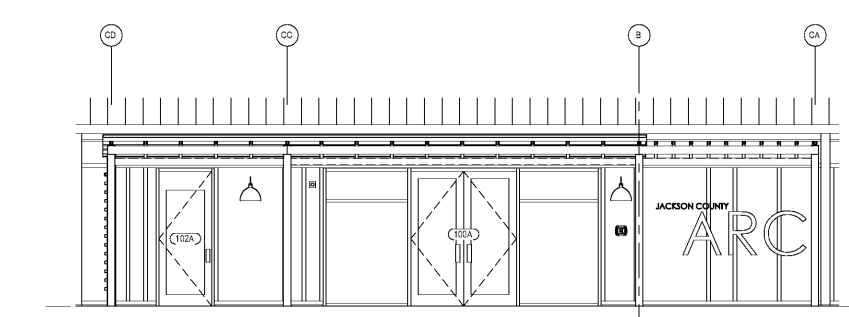
**A120**



**D1 ENTRANCE CANOPY ROOF SECTION**  
A120 1 1/2" x 1'-0"

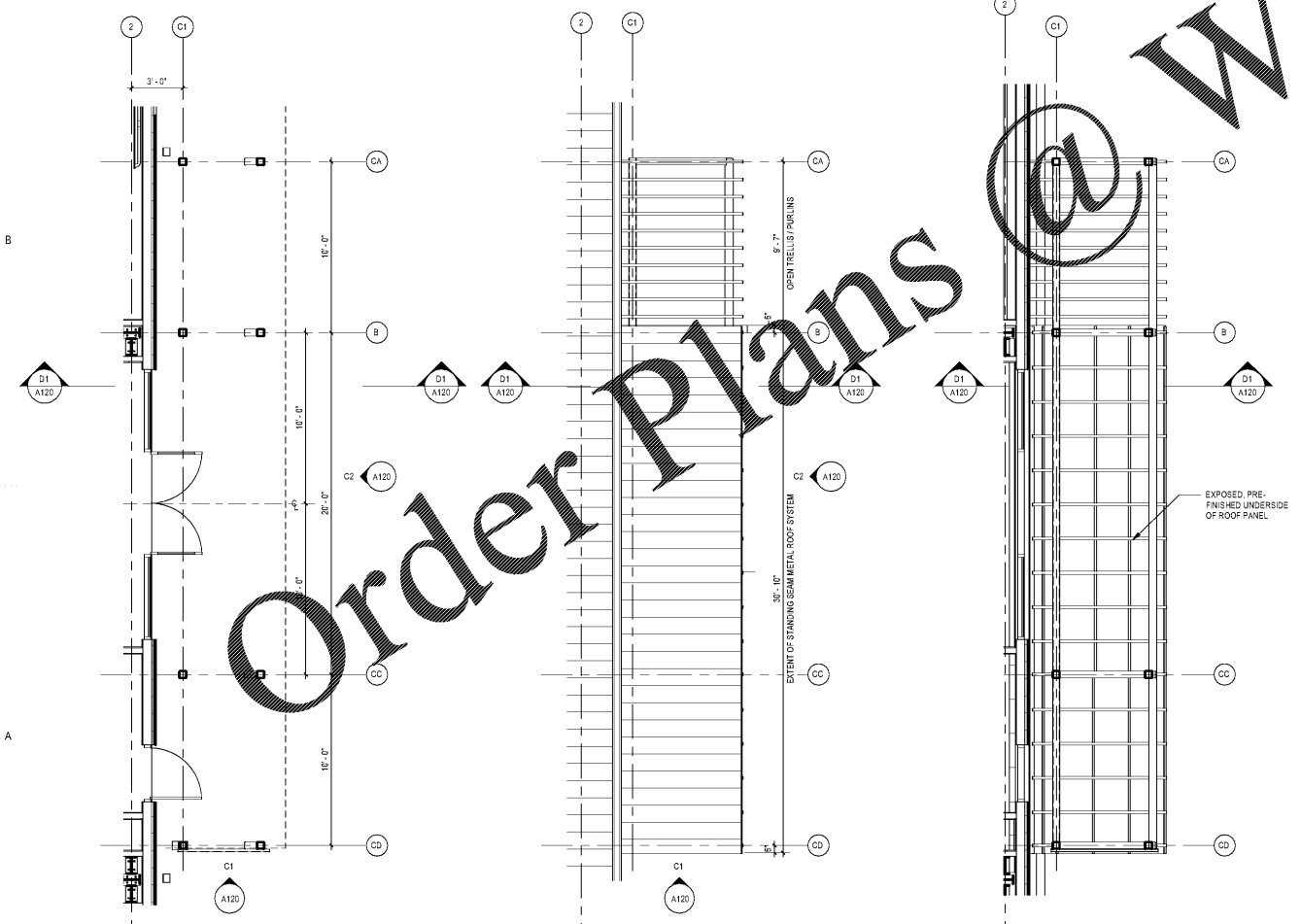


**C1 ENTRANCE CANOPY ELEVATION B**  
A120 1/4" x 1'-0"



**C2 ENTRANCE CANOPY ELEVATION A**  
A120 1/4" x 1'-0"

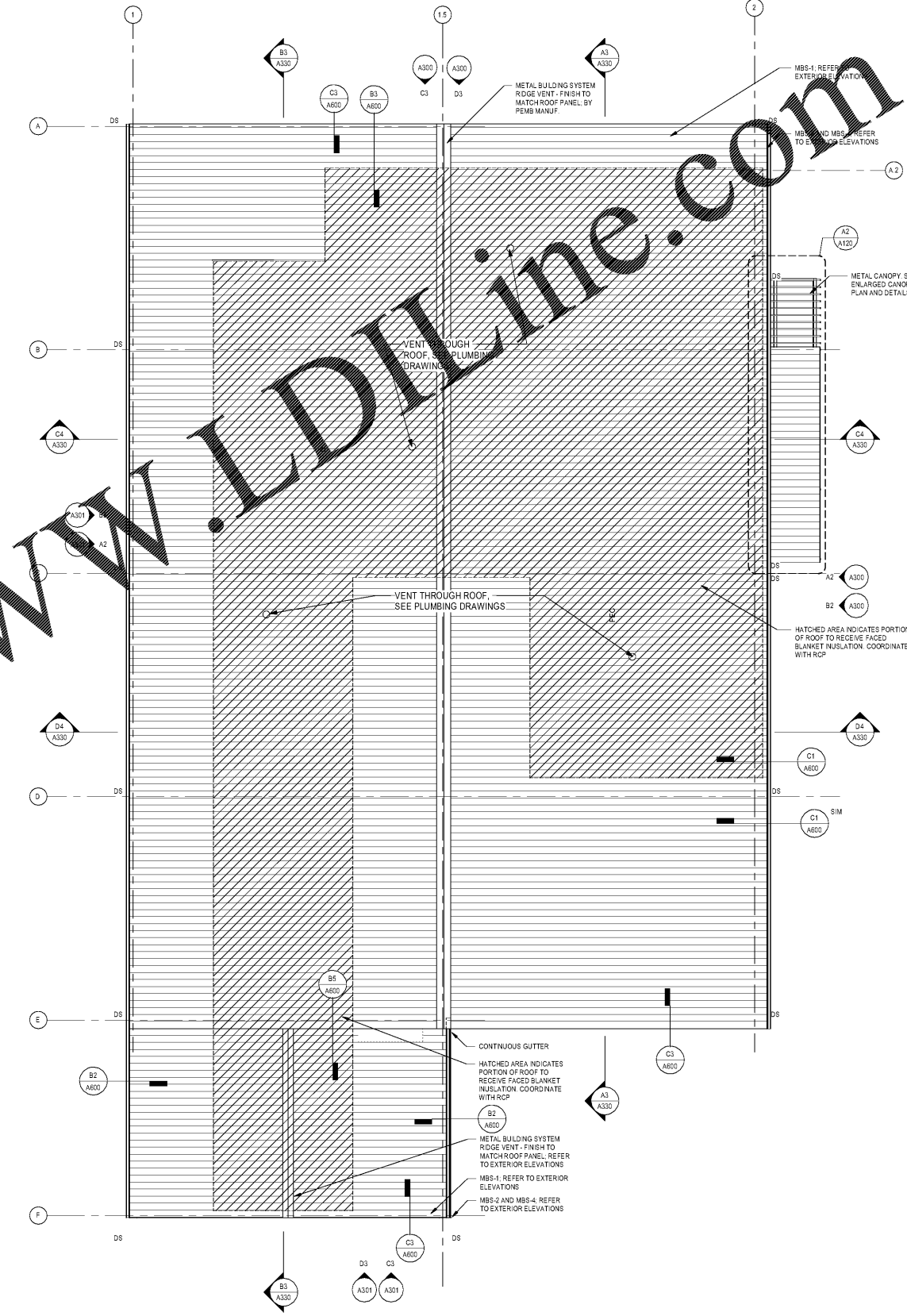
FINISH NOTE: ALL CANOPY SEES TO RECEIVE PNT'S, SEE FINISH SCHEDULE



**A1 ENTRANCE CANOPY FLOOR PLAN**  
A120 1/4" x 1'-0"

**A2 ENTRY CANOPY ROOF PLAN**  
A120 1/4" x 1'-0"

**A3 ENTRANCE CANOPY REFLECTED CEILING PLAN**  
A120 1/4" x 1'-0"



**A4 ROOF PLAN**  
A120 1/8" x 1'-0"

Order Plans @ [www.LDOnline.com](http://www.LDOnline.com)