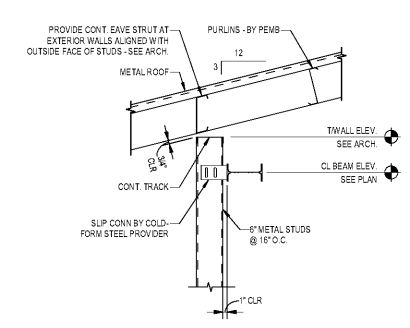
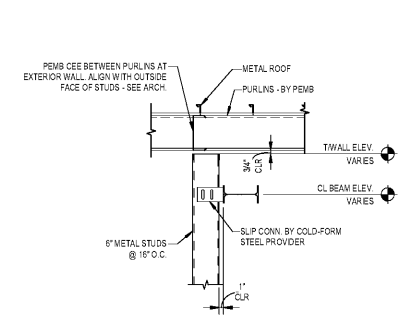


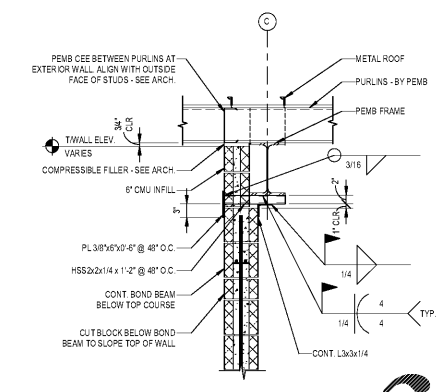
1 SECTION  
S300 3/4" = 1'-0"



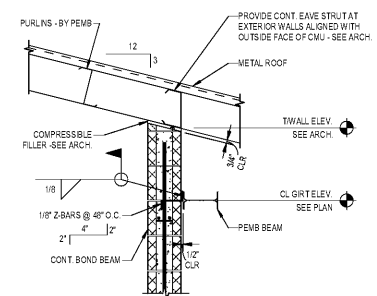
2 SECTION  
S300 3/4" = 1'-0"



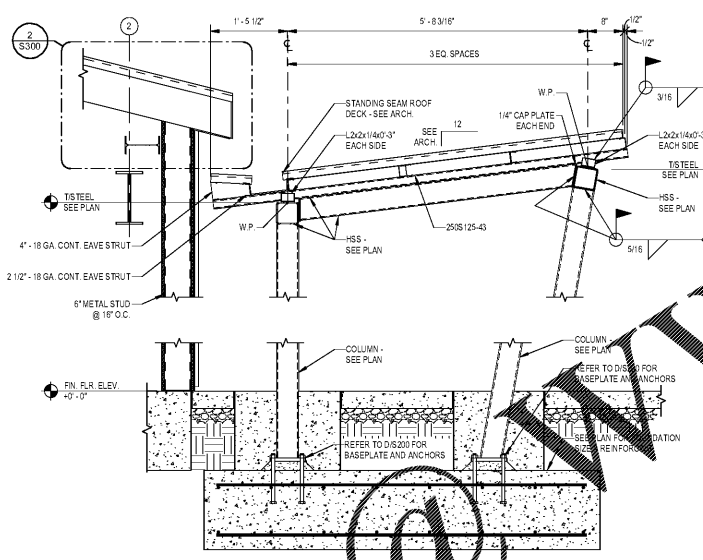
3 SECTION  
S300 3/4" = 1'-0"



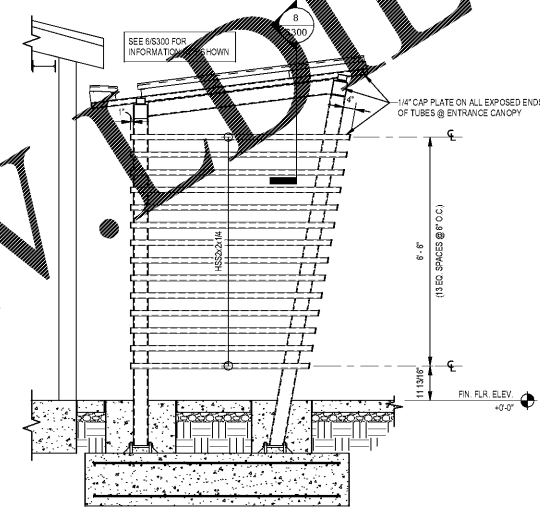
4 SECTION  
S300 3/4" = 1'-0"



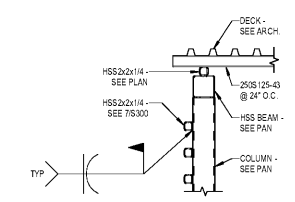
5 SECTION  
S300 3/4" = 1'-0"



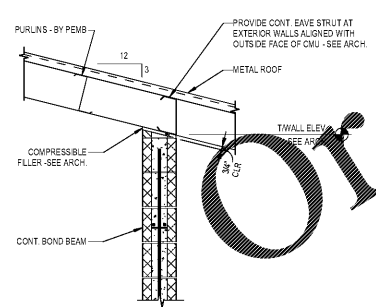
6 SECTION  
S300 3/4" = 1'-0"



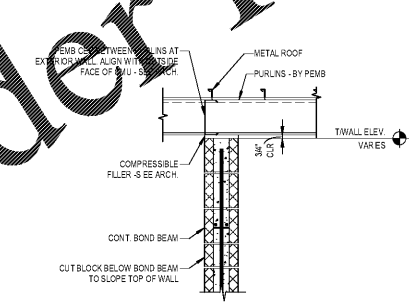
7 ELEVATION  
S300 1/2" = 1'-0"



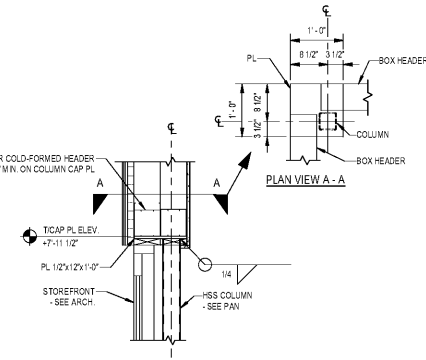
8 SECTION  
S300 3/4" = 1'-0"



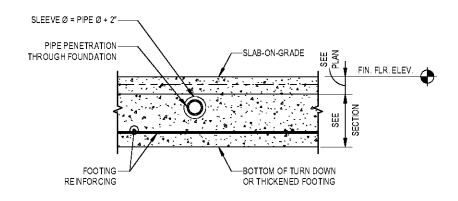
9 SECTION  
S300 3/4" = 1'-0"



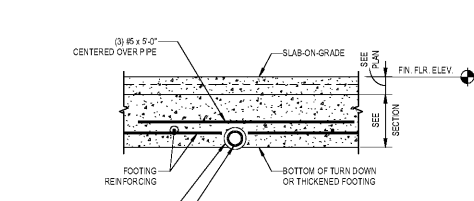
10 SECTION  
S300 3/4" = 1'-0"



11 SECTION  
S300 3/4" = 1'-0"



PIPE THROUGH FOUNDATION SLEEVE ABOVE REINFORCING DETAIL  
S300 NTS



PIPE THROUGH FOUNDATION AND REINFORCING DETAIL  
S300 NTS

SHEET ISSUE			
NO.	DATE	DESCRIPTION	BY
1	9/22/2020	ISSUE FOR BID + PERMIT	

PRINCIPAL IN CHARGE: CP  
PROJECT ENGINEER: CP  
DRAWN BY: MEW  
SHEET TITLE: SECTIONS AND DETAILS

SHEET NO. PROJ. NO. 015216.00

S300

Order Plans @

www.DILine.com

JACKSON COUNTY  
ANIMAL RESCUE CENTER AND GREEN ENERGY PARK  
DILLSBORO, NORTH CAROLINA