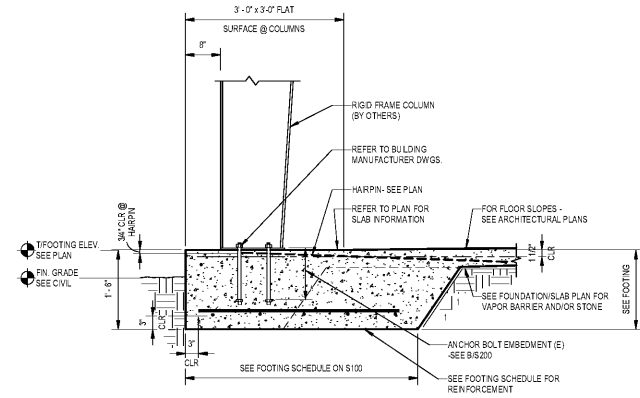
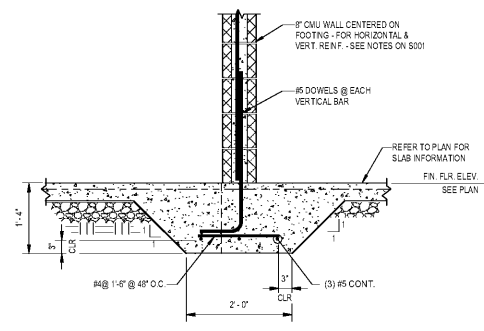


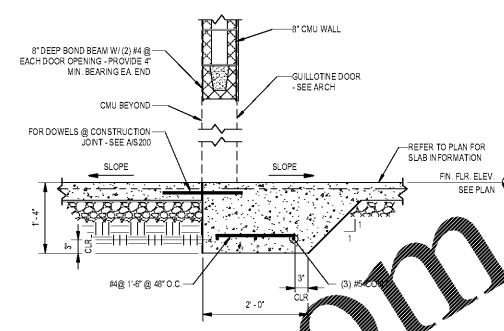
1 SECTION
S200 3/4" = 1'-0"



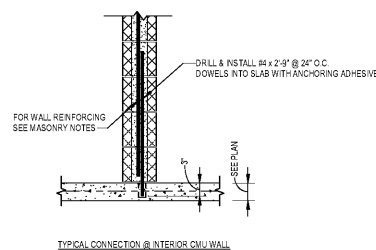
2 TYPICAL COLUMN FOOTING
S200 3/4" = 1'-0"



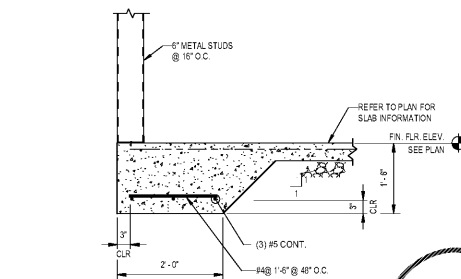
3 SECTION
S200 3/4" = 1'-0"



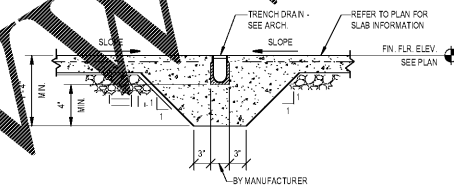
4 SECTION
S200 3/4" = 1'-0"



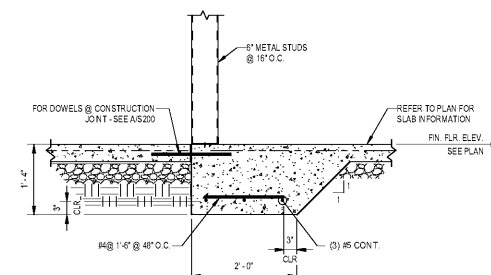
5 SECTION
S200 3/4" = 1'-0"



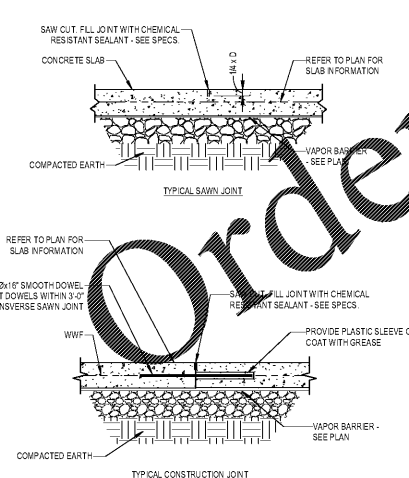
6 SECTION
S200 3/4" = 1'-0"



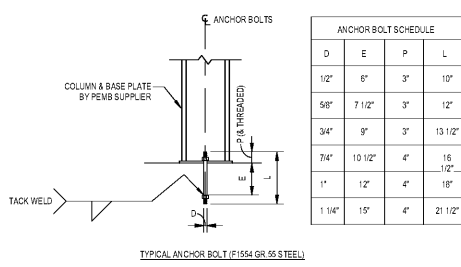
7 SECTION
S200 3/4" = 1'-0"



8 SECTION
S200 3/4" = 1'-0"

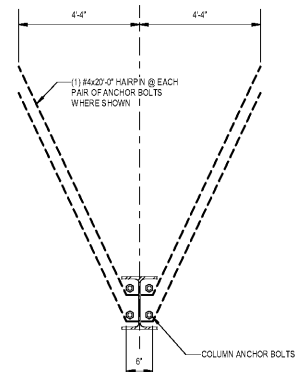


A TYPICAL SLAB JOINT DETAILS
S200 3/4" = 1'-0"

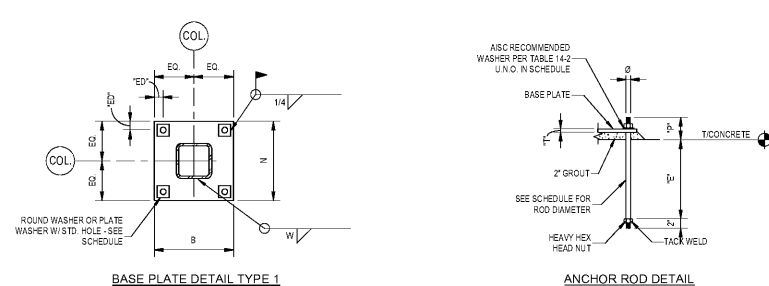


B DETAIL
S200 3/4" = 1'-0"

ANCHOR BOLT SCHEDULE			
D	E	P	L
12"	6"	3"	10"
56"	7 1/2"	3"	12"
34"	9"	3"	13 1/2"
74"	10 1/2"	4"	16 1/2"
1' 1 3/4"	15"	4"	21 1/2"



C DETAIL
S200 3/4" = 1'-0"



BASE PLATE						ANCHOR RODS							
Mark	Type	Thickness "T"	Length "L"	Width "W"	Hole Diameter "ED"	Column Weld "W"	Diameter "D"	Quantity	Embedment "E"	Projection "P"	Washer	NOTES	
BP1	1	3/4"	12"	12"	1-1/16"	1-1/2"	5/16	3/4"	4	9"	5"	Std - Do Not Weld	-
BP2	1	3/4"	14"	14"	1-1/16"	1-1/2"	5/16	3/4"	4	9"	5"	Pl. 1/4 x 2x2	-

D BASE PLATE & ANCHOR BOLT DETAILS/SCHEDULE
S200 3/4" = 1'-0"

WWW.LDILine.com

Order Plans @

NOTES: 1. ALL WORK SHALL BE IN ACCORDANCE WITH THE LATEST EDITIONS OF THE INTERNATIONAL BUILDING CODES AND ALL APPLICABLE LOCAL ORDINANCES. 2. THE CONTRACTOR SHALL BE RESPONSIBLE FOR OBTAINING ALL NECESSARY PERMITS AND APPROVALS. 3. ALL MATERIALS SHALL BE SUBJECT TO INSPECTION AND TESTING BY THE ARCHITECT AND ENGINEER. 4. THE CONTRACTOR SHALL MAINTAIN ACCESS TO ALL UTILITIES AND ADJACENT PROPERTIES AT ALL TIMES. 5. THE CONTRACTOR SHALL BE RESPONSIBLE FOR PROTECTING ALL EXISTING UTILITIES AND STRUCTURES. 6. THE CONTRACTOR SHALL MAINTAIN PROPER DRAINAGE AND EROSION CONTROL MEASURES THROUGHOUT CONSTRUCTION. 7. THE CONTRACTOR SHALL BE RESPONSIBLE FOR OBTAINING ALL NECESSARY PERMITS AND APPROVALS. 8. THE CONTRACTOR SHALL MAINTAIN ACCESS TO ALL UTILITIES AND ADJACENT PROPERTIES AT ALL TIMES. 9. THE CONTRACTOR SHALL BE RESPONSIBLE FOR PROTECTING ALL EXISTING UTILITIES AND STRUCTURES. 10. THE CONTRACTOR SHALL MAINTAIN PROPER DRAINAGE AND EROSION CONTROL MEASURES THROUGHOUT CONSTRUCTION.