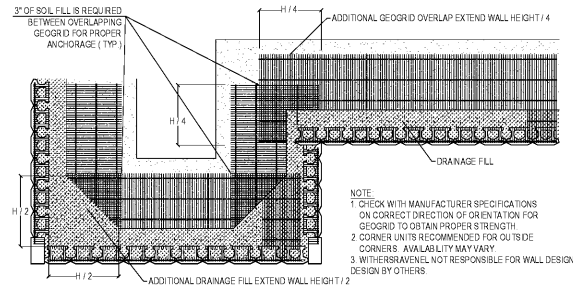
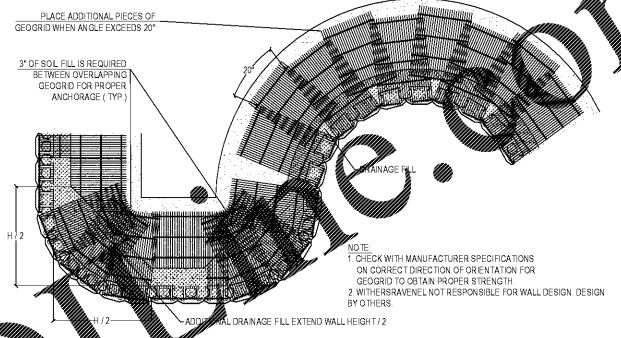


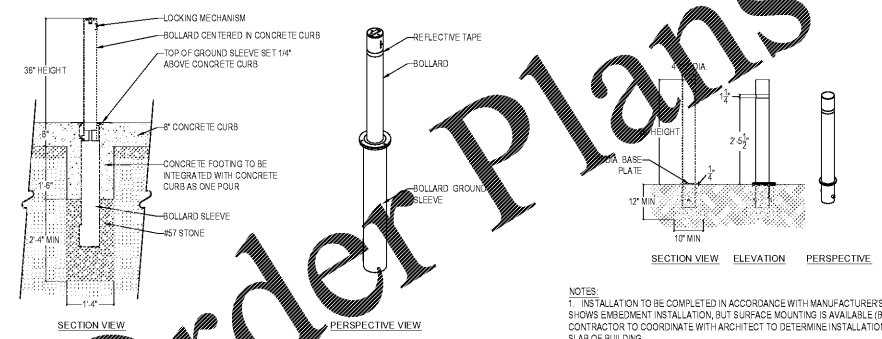
1 SEGMENTAL REINFORCED WALL SECTION
Scale: 3/4\"/>



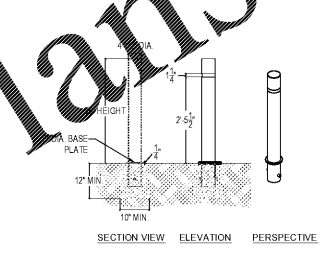
2 SEGMENTAL REINFORCED WALL INSTALLATION AT CORNERS
Scale: 1/4\"/>



3 SEGMENTAL REINFORCED WALL INSTALLATION ON CURVES
Scale: 1/4\"/>



4 RETRACTABLE BOLLARD
Scale: 1/2\"/>



5 FIXED BOLLARD
Scale: 1/2\"/>

GYMS FOR DOGS™
Natural Dog Park Products

3815 RIVER CROSSING PKWY SUITE 100
INDIANAPOLIS, IN 46240
PHONE: (800) 951-1962
FAX: (800) 831-6152
www.livinthostoglife.com

SELECT DESIRED COLOR:
 BLACK
 LIME GREEN
 CORN YELLOW
 GRASS GREEN
 WATER BLUE
 CARDINAL RED

SELECT DESIRED MOUNT:
 IN-GROUND (IS SHOWN)
 SURFACE MOUNT (SM)
 PORTABLE / FREE-STANDING (FS)

STANDARD FEATURES:
 - MADE IN U.S.A.
 - ALUMINUM ALL-WEATHER MATERIAL
 - ADA COMPLIANT
 - HEAVY-DUTY ONE-PIECE MOUNTING POST
 - CAN BE CUSTOMIZED WITH YOUR BRAND OR SPECIAL LOGO
 - PROPRIETARY FLAT SURFACE FOR STORAGE
 - LEASH KEYS, GEL PHONES
 - 400 BAG CAPACITY MEANS LESS REFILL TIME

PRODUCT DIMENSIONS:
 12" H X 15" W X 66" L

RECOMMENDED SPECIFICATIONS:

ITEM:
 - Q-L-PV5100-PCIS

COMPONENTS:
 - Q-L-PV5100-TPC (BOX)
 - Q-L-PV5100-POST (KIT)

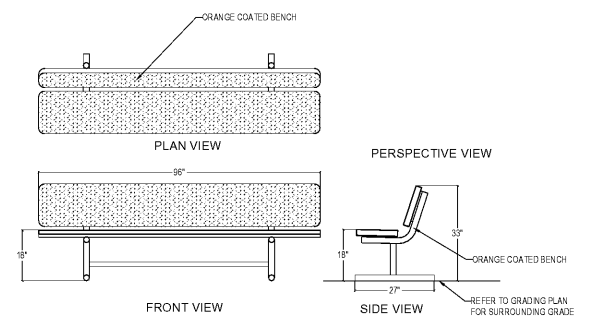
MATERIALS:
 - POWDER COATED ALUMINUM BAG DISPENSER BOX
 - POWDER COATED ALUMINUM POST DESIGNED FOR BURIAL

NOTES:
 1. INSTALLATION TO BE COMPLETED IN ACCORDANCE WITH MANUFACTURER'S SPECIFICATIONS.
 2. DO NOT SCALE DRAWINGS.
 3. THIS DRAWING IS INTENDED FOR USE BY ARCHITECTS, ENGINEERS, CONTRACTORS, CONSULTANTS AND DESIGN PROFESSIONALS FOR PLANNING PURPOSES ONLY. THIS DRAWING MAY NOT BE USED FOR CONSTRUCTION.
 4. ALL INFORMATION CONTAINED HEREIN WAS CURRENT AT THE TIME OF DEVELOPMENT BUT MUST BE REVIEWED AND APPROVED BY THE PRODUCT MANUFACTURER TO BE CONSIDERED ACCURATE.
 5. CONTRACTOR'S NOTE: FOR PRODUCT AND COMPANY INFORMATION VISIT www.CADetails.com/info AND ENTER REFERENCE NUMBER 5017-066.

NATURAL DOG PARK - PET WASTE STATION
 GYMS FOR DOGS™, THE PET WASTE STATION™ ALUMINUM - EXCLUSIVE SIGNATURE
 DECORATIVE PET WASTE STATION IN STARTER KIT OF 400 BAGS (BLACK OR GREEN)
 ALL RIGHTS RESERVED - GYMS FOR DOGS™

3017-066
 PROTECTED BY COPYRIGHT ©2020 CADDETAILS.COM LTD. REVISION DATE 01/03/2020
 CADetails.com

6 PET WASTE STATION
Scale: NTS
OUT SHEET



7 FREE-STANDING METAL BENCH
Scale: 1/2\"/>

ALL DRAWINGS, SPECIFICATIONS AND NOTES ARE THE PROPERTY OF MCMILLAN PAZDAN SMITH ARCHITECTURE. THESE DRAWINGS ARE NOT TO BE REPRODUCED, COPIED, OR TRANSMITTED IN ANY FORM OR BY ANY MEANS, ELECTRONIC OR MECHANICAL, INCLUDING PHOTOCOPYING, RECORDING, OR BY ANY INFORMATION STORAGE AND RETRIEVAL SYSTEM, WITHOUT THE WRITTEN PERMISSION OF MCMILLAN PAZDAN SMITH ARCHITECTURE. THE PROJECT OF MCMILLAN PAZDAN SMITH ARCHITECTURE. THESE DRAWINGS ARE NOT TO BE REPRODUCED, COPIED, OR TRANSMITTED IN ANY FORM OR BY ANY MEANS, ELECTRONIC OR MECHANICAL, INCLUDING PHOTOCOPYING, RECORDING, OR BY ANY INFORMATION STORAGE AND RETRIEVAL SYSTEM, WITHOUT THE WRITTEN PERMISSION OF MCMILLAN PAZDAN SMITH ARCHITECTURE.

SHEET ISSUE NO.	DATE	DESCRIPTION	BY
1	9/2/2020	ISSUE FOR WR BID + PERMIT	WR



PRINCIPAL IN CHARGE: GARY WARNER
 PROJECT ARCHITECT: WR
 DRAWN BY: WR

SITE DETAILS

SHEET NO. C6.3
 PROJ. NO. 02-191340