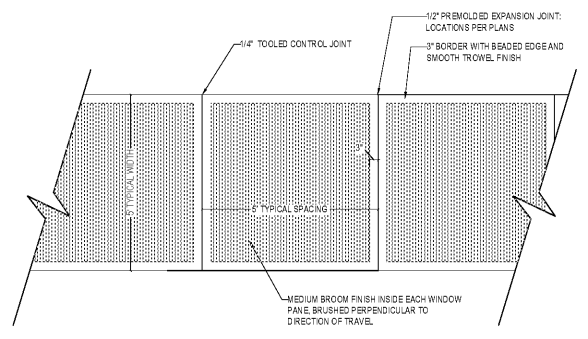
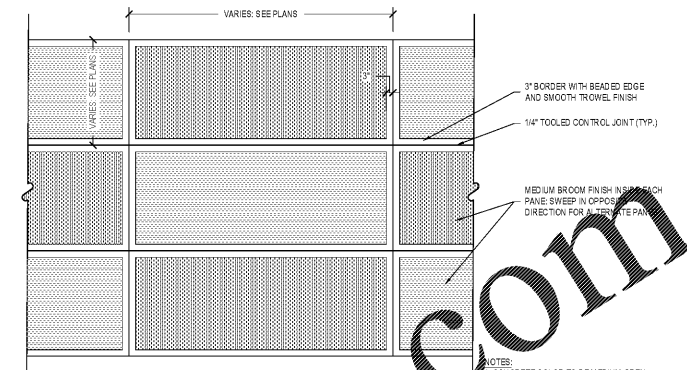


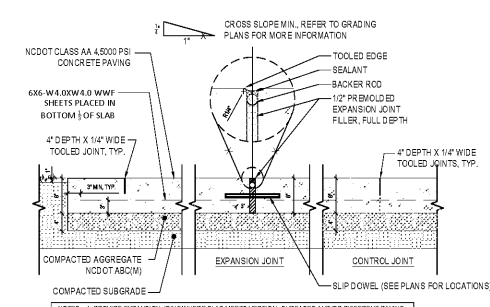
1 PEDESTRIAN CONCRETE PAVING (SIDEWALK) SECTION
Scale: 1" = 1'-0"



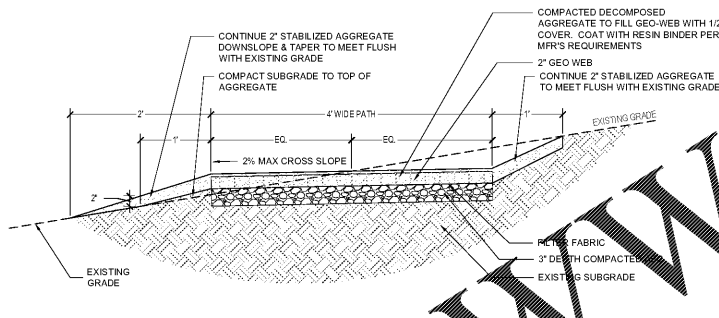
2 CONCRETE SIDEWALK PLAN VIEW SECTION
Scale: 1/2" = 1'-0"



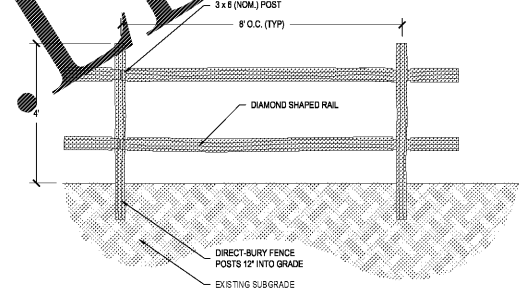
3 CONCRETE PAVING WITH WINDOW PANE FINISH SECTION
Scale: 3/4" = 1'-0"



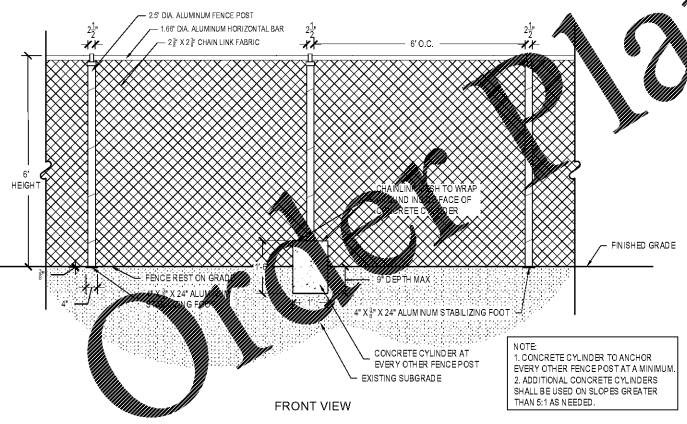
4 HEAVY DUTY VEHICULAR CONCRETE PAVING SECTION
Scale: 3/4" = 1'-0"



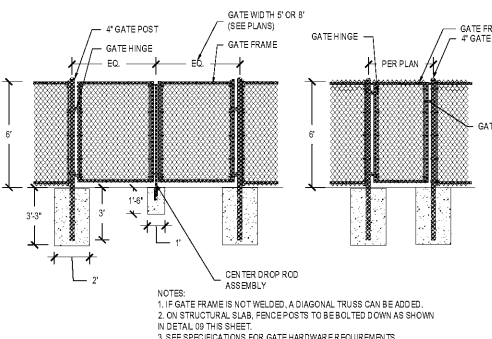
5 CRUSHED STONE PATH DETAIL SECTION
Scale: 1" = 1'-0"



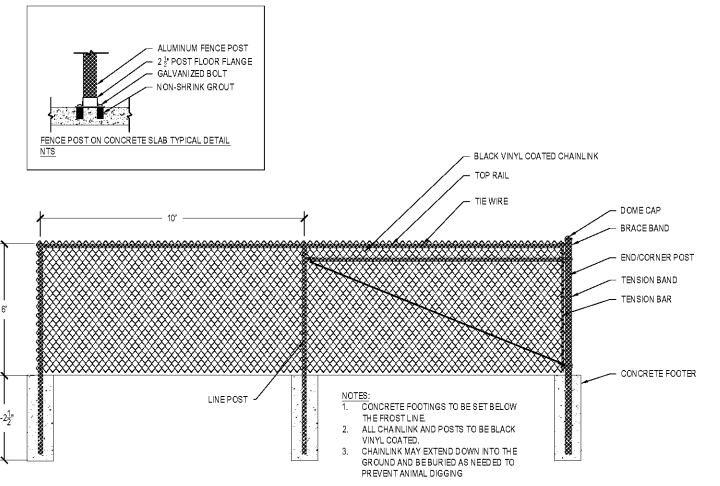
6 SPLIT RAIL FENCE SECTION
Scale: 1/2" = 1'-0"



7 DOG PARK ALUMINUM FENCE DETAIL SECTION
Scale: 1/2" = 1'-0"



8 VINYL COATED ALUMINUM GATE SECTION
Scale: 1/4" = 1'-0"



9 VINYL COATED ALUMINUM FENCE SECTION
Scale: 3/8" = 1'-0"

SHEET ISSUE NO.	DATE	DESCRIPTION	BY
1	9/2/2020	ISSUE FOR BID + PERMIT	WR



PRINCIPAL IN CHARGE: GARY WARNER
PROJECT ARCHITECT: WR
DRAWN BY: WR

SHEET TITLE: SITE DETAILS

SHEET NO. C6.2
PROJ. NO. 02-191340

www.LDILine.com