

LEGEND	
	LIGHTING AND POWER
	CONDUIT RUN CONCEALED ABOVE CEILING OR IN WALL CONTAINING 3 NUMBER 12 CONDUCTORS UNLESS SHOWN OTHERWISE. HASH MARKS IF SHOWN INDICATE QUANTITY OF NUMBER 12 CONDUCTORS. WHERE DRAWING SPACE PROHIBITS HASH MARKS BEING SHOWN REFER TO CIRCUIT NUMBERS AND PROVIDE REQUIRED NUMBER OF CONDUCTORS PER CIRCUIT TYPE.
	CONDUIT RUN CONCEALED IN OR BELOW FLOOR SLAB, OR UNDERGROUND.
	HOME RUN TO PANELBOARD, LETTER OR LETTERS INDICATE PANELBOARDS, NUMBERS INDICATE CIRCUIT NUMBERS.
	EXPOSED CONDUIT RUN
	LIGHTING FIXTURE: "2-E" INDICATES THE CIRCUIT NUMBER AND "E" THE FIXTURE TYPE. SEE FIXTURE SCHEDULE FOR DIMENSIONS AND MOUNTING TYPE.
	4' FIXTURE, SURFACE OR STEM MOUNTED.
	2'x4' TROFFER FIXTURE. SEE FIXTURE SCHEDULE FOR DIMENSIONS AND MOUNTING TYPE.
	WALL MOUNTED, DUAL HEAD EMERGENCY LIGHT UNIT.
	EXIT LIGHT
	JUNCTION BOX LOCATED ABOVE CEILING OR BELOW GRADE
	JUNCTION BOX, FLUSH WALL MOUNTED.
	DUPLEX CONVENIENCE OUTLET, +18" TO CENTER LINE OF OUTLET UNLESS OTHERWISE NOTED. "5" INDICATES THE CIRCUIT NUMBER.
	DUPLEX CONVENIENCE OUTLET MOUNTED ABOVE COUNTER, AT +48" TO CENTERLINE OF OUTLET.
	DUPLEX CONVENIENCE OUTLET, GF TYPE, +18" TO CENTER LINE UNLESS OTHERWISE NOTED. "WP" WHERE SHOWN INDICATES WEATHER-RESISTANT DEVICE WITH METAL IN-USE WEATHERPROOF COVER.
	DUPLEX CONVENIENCE OUTLET, GF TYPE, MOUNTED ABOVE COUNTER AT +48" TO CENTERLINE OF RECEPTACLE UNLESS NOTED OTHERWISE.
	SPECIAL RECEPTACLE TO SUIT EQUIPMENT FURNISHED.
	QUADRUPLEX RECEPTACLE, +18" TO CENTER LINE OF OUTLET UNLESS OTHERWISE NOTED.
	FLUSH FLOOR RECEPTACLE IN FLOOR BOX WITH ALUMINUM DUPLEX POWER PLATE. FINISH SELECTED BY ARCHITECT. WIREMOLD "RFB" SERIES OR APPROVED EQUAL.
	FLUSH FLOOR BOX WITH QUADRUPLEX RECEPTACLE, DATA OUTLET, AND HINGED COVER. COORDINATE COVER TYPE AND FINISH WITH ARCHITECT. WIREMOLD "RFB" SERIES OR APPROVED EQUAL.
	SINGLE POLE TOGGLE SWITCH, +48" TO CENTER LINE MOUNTING HEIGHT.
	THREE OR FOUR WAY SWITCH AS INDICATED, +48" TO CENTER LINE MOUNTING HEIGHT.
	KEY OPERATED SINGLE POLE TOGGLE SWITCH, +48" TO CENTER LINE MOUNTING HEIGHT.
	0-10 VOLT LOW VOLTAGE DIMMER FOR L.E.D. FIXTURES. MOUNT AT +48" ABOVE FINISHED FLOOR.
	0-10 VOLT LOW VOLTAGE DIMMER WITH OCCUPANCY SENSOR FOR L.E.D. FIXTURES. MOUNT AT +48" ABOVE FINISHED FLOOR.
	PANELBOARD. SEE SCHEDULE.
	DISCONNECT SWITCH. SIZE AS NOTED ON DRAWINGS. FUSED PER MANUFACTURER'S NAME PLATE DATA OF EQUIPMENT SERVED.
	MOTOR
	FIRE ALARM SYSTEM
	SIGNAL HORN AND STROBE LIGHT +6'-10" MOUNTING HEIGHT TO CENTER OF DEVICE. "CM" WHERE SHOWN DENOTES CEILING MOUNTED DEVICE.
	STROBE LIGHT, 6'-10" MOUNTING HEIGHT TO CENTER OF DEVICE.
	STROBE LIGHT, CEILING MOUNTED.
	PULL STATION, WALL MOUNTED, +48" TO CENTER LINE MOUNTING HEIGHT.
	EXISTING HONEYWELL FIRE ALARM CONTROL PANEL, SURFACE WALL MOUNTED.
	HEAT DETECTOR, CEILING MOUNTED.
	SMOKE DETECTOR, CEILING MOUNTED.
	DUCT SMOKE DETECTOR, LOCATED AT HVAC UNIT OR UP STREAM OF SMOKE DAMPER. COORDINATE EXACT LOCATION WITH MECHANICAL DRAWINGS PRIOR TO ROUGHING IN.
	TELEPHONE / DATA SYSTEMS (SEE SHEET E501 FOR CABLING REQUIREMENTS.)
	PLYWOOD BACKBOARD "TB" INDICATES TELECOMMUNICATIONS BOARD.
	VOICE OUTLET, +48" TO CENTER LINE OF OUTLET UNLESS NOTED OTHERWISE. STUB UP 1" TO CEILING SPACE ABOVE.
	DATA OUTLET, +18" TO CENTER LINE OF OUTLET UNLESS NOTED OTHERWISE. STUB UP 1" TO CEILING SPACE ABOVE.
	DATA OUTLET, +48" TO CENTER LINE OF OUTLET UNLESS NOTED OTHERWISE. STUB UP 1" TO CEILING SPACE ABOVE.
	OCCUPANCY SENSORS
	SWITCH, WALL MOUNTED OCCUPANCY SENSOR (WATSTOPPER PW-100 OR EQUAL), +48" TO CENTER LINE MOUNTING HEIGHT.
	DUAL TECHNOLOGY 360° OCCUPANCY SENSOR, CEILING MOUNTED, INFRARED ULTRASONIC (WATSTOPPER "D" SERIES OR EQUAL), PROVIDE ALL NECESSARY COMPONENTS TO INSURE PROPER OPERATION (POWER PACKS, SLAVE PACKS, ETC.)
	ULTRASONIC OCCUPANCY SENSOR, CEILING MOUNTED (WATSTOPPER "D" SERIES OR EQUAL), PROVIDE ALL NECESSARY COMPONENTS TO INSURE PROPER OPERATION (POWER PACKS, SLAVE PACKS, ETC.)
	ULTRASONIC HALLWAY OCCUPANCY SENSOR, CEILING MOUNTED (WATSTOPPER "D" SERIES OR EQUAL), PROVIDE ALL NECESSARY COMPONENTS TO INSURE PROPER OPERATION (POWER PACKS, SLAVE PACKS, ETC.)
	TELEVISION OUTLET, +22" TO CENTER LINE OF OUTLET UNLESS OTHERWISE NOTED. LOCATE DUPLEX OUTLET SHOWN DIRECTLY ADJACENT TO TV OUTLET.
	EXISTING CCTV SYSTEM
	EXISTING INTRUSION ALARM CONTROL PANEL
	CEILING MOUNT AMPLIFIER AND DESK TOP MICROPHONE.

GENERAL NOTES:

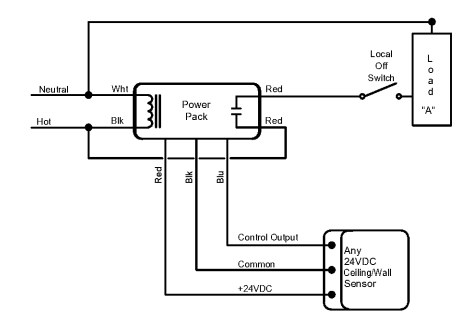
- DO NOT SCALE DRAWINGS TO LOCATE EQUIPMENT OR OUTLETS.
- MOUNTING HEIGHTS AS INDICATED ON THE DRAWINGS SHALL BE FROM THE FINISHED FLOOR TO THE CENTER LINE OF THE OUTLET BOX.
- THE ELECTRICAL DRAWINGS ARE ONLY A PART OF THE CONTRACT DOCUMENTS. ALL OF THE DRAWINGS AND SPECIFICATIONS MUST BE REVIEWED FOR THEIR INTERRELATIONSHIP AND REQUIRED COORDINATION BETWEEN DISCIPLINES.
- T12** SYMBOL INDICATING ROOM OR SPACE NUMBER.
- IN AREAS WHERE COMPUTER OUTLETS AND TELEPHONE OUTLETS ARE LOCATED BENEATH A WINDOW, AND WINDOW PREVENTS THE ROUTING OF CONDUIT UP TO CEILING SPACE, CONDUIT SHALL BE ROUTED TO A WALL WHICH ALLOWS CONDUIT TO RISE UP TO CEILING SPACE.
- ALL CONDUIT ROUTED FROM DISCONNECT TO EXISTING HVAC UNITS SHALL BE ROUTED UNDERGROUND. TURN UP ADJACENT TO UNIT AND MAKE TRANSITION TO SEA THE TO SERVE UNIT.
- FLUSH RECESSED OUTLET BOXES INSTALLED IN NON-COMBUSTIBLE MATERIAL SHALL BE INSTALLED SUCH THAT FRONT EDGE OF BOX WILL NOT BE SET BACK OF THE FINISHED SURFACE MORE THAN 1/4" FLUSH RECESSED OUTLET BOXES INSTALLED IN COMBUSTIBLE MATERIAL SHALL BE INSTALLED SUCH THAT FRONT EDGE OF BOX IS FLUSH WITH THE "FINISHED SURFACE". COMPLY WITH N.E.C. 314.28 SUPPORT OF OUTLET BOX BY RECEPTACLE AND COVER PLATE IS NOT ACCEPTABLE.
- ALL CONDUIT, OUTLET BOXES, AND LOW VOLTAGE CABLING SHALL BE APPROPRIATELY SUPPORTED THROUGHOUT THE PROJECT. SUPPORT OF THESE ITEMS BY CEILING GRID OR GRID SUPPORT WIRES IS NOT ACCEPTABLE.
- ALL RECEPTACLES LOCATED WITHIN 6" OF THE EDGE SNK OR OTHER WATER SOURCE SHALL BE GFCI TYPE DEVICE IN ACCORDANCE WITH N.E.C. 210.8.7. COORDINATE LOCATIONS WITH ARCHITECTURAL AND PLUMBING DRAWINGS PRIOR TO ROUGH IN.
- ALL NEW RECEPTACLES SHALL BE 20 AMP, SPECIFICATION GRADE, TAMPER RESISTANT TYPE PER SPECIFICATIONS. RECEPTACLES OR RECEPTACLE DEVICES SHALL BE GRAY DEVICES AND STAINLESS STEEL COVER PLATES PER SPECIFICATIONS. HOWEVER, PRIOR TO PURCHASE OF WIRING DEVICES AND COVER PLATES, COORDINATE EXACT COLOR AND TYPE WITH ARCHITECT.
- CONTRACTOR IS TO NOTE THAT THIS PROJECT IS TO BE BUILT IN PHASES. IN ADDITION, THE LIBRARY AREA IS TO REMAIN OPERATIONAL DURING CONSTRUCTION. CONTRACTOR TO CAREFULLY REVIEW PHASING AS REQUIRED AND AS SHOWN ON ARCHITECTURAL PLANS. CONTRACTOR SHALL SCHEDULE SUCH WORK AND INSTALLATION ACCORDINGLY TO MATCH THIS PHASING PLAN. THIS MAY REQUIRE CONTRACTOR TO TEMPORARILY REMOVE EXISTING AREAS AS REQUIRED TO MAINTAIN POWER, LIGHTING, MECHANICAL SERVICES, AND LOW VOLTAGE SYSTEMS TO AREAS WHICH REMAIN OPERABLE DURING CONSTRUCTION. CONTRACTOR SHALL CAREFULLY COORDINATE SUCH WORK WITH GENERAL CONTRACTOR AS REQUIRED.
- CONTRACTOR TO NOTE THAT SEVERAL EXISTING LOW VOLTAGE SYSTEMS HEAD END EQUIPMENT WILL BE RELOCATED AND REUTILIZED AS SHOWN ON PLANS. THESE SYSTEMS SHALL INCLUDE THE FIRE ALARM CONTROL PANEL, NETWORK ALARM CONTROL PANEL, PLUMBING SYSTEM AND CCTV SURVEILLANCE SYSTEM. CONTRACTOR SHALL REFER TO SPECIFIC ITEMS NOTED ON THE SYSTEM SHEETS IN REGARDS OF RELOCATION AND RE-USE OF THESE HEAD END SYSTEMS AND DEVICES.

MC CABLE NOTES:

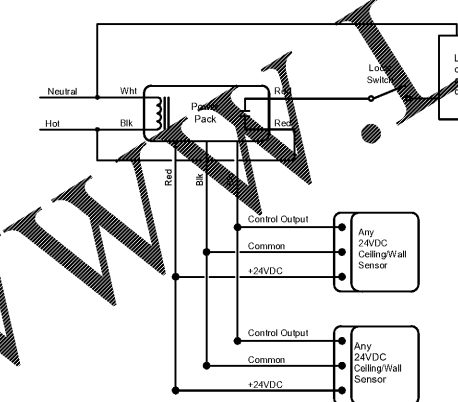
- "MC" CABLE SHALL BE ALLOWED FOR 20 AMP BRANCH CIRCUIT LIGHTING AND RECEPTACLE CIRCUITS ONLY WHEN ROUTED CONCEALED IN A WALL OR ABOVE A DROP "T" CEILING FOLLOWING CONDITIONS SHALL BE MET:
 - ALL HOMERUNS SHALL BE IN CONDUIT, NOT "MC"
 - "MC" CABLE SHALL BE PROPERLY SUPPORTED.
 - DO NOT USE "MC" CABLE WHERE RACEWAY IS EXPOSED AND THERE IS NOT A FINISHED CEILING SUCH AS NOT IN FLOOR AREAS WITH EXPOSED STRUCTURE IN THE LIBRARY FIRST AND SECOND FLOOR.
 - DO NOT ROUTE "MC" CABLE ON CEILING GRID OR SUPPORT UP TO CEILING GRID HANGER WIRES.

DEMOLITION AND CONSTRUCTION NOTES:

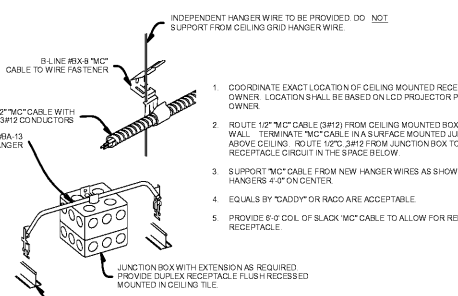
- THE CONTRACTOR SHALL VERIFY EXACT ROUTINGS OF EXISTING RACEWAYS BEFORE STARTING ANY WORK AND NOTIFY THE ARCHITECT OF ANY KNOWN DISCREPANCIES.
- THE CONTRACTOR SHALL UTILIZE AS MUCH OF THE EXISTING OUTLETS AND RACEWAYS AS POSSIBLE TO RECONNECT EXISTING AND NEW CIRCUITS.
- THE CONTRACTOR SHALL REMOVE EXISTING CONDUCTORS AND INSTALL NEW CONDUCTORS AS SHOWN OR AS REQUIRED TO COMPLETE REVISED CIRCUITS AND TO CONFORM TO N.E.C.
- ALL EXISTING EQUIPMENT REMOVED FROM SERVICE AND NOT INTENDED FOR REUSE SHALL REMAIN THE PROPERTY OF OWNER AND SHALL BE STORED OR DISPOSED OF AS DIRECTED BY THE OWNER.
- MAINTAIN SERVICE TO ALL EXISTING CIRCUITS THAT ARE NOT SCHEDULED FOR REMOVAL.
- PROVIDE BLANK COVERS ON ALL JUNCTION BOXES AND OUTLET BOXES NOT INTENDED FOR REUSE.
- EXISTING CEILING, WALLS AND FLOORS DISTURBED OR DISAPPEARED BY THE ELECTRICAL RENOVATIONS SHALL BE PATCHED, MENDED OR REPLACED BY TRADES ACTIVELY PARTICIPATING IN THIS TYPE OF WORK. RESPONSIBILITY FOR REPAIRS SHALL BE COORDINATED BETWEEN GENERAL CONTRACTOR AND ELECTRICAL SUBCONTRACTOR.
- EXISTING EQUIPMENT SHOWN ON ARCHITECTURAL, MECHANICAL, PLUMBING AND ELECTRICAL DRAWINGS THAT WILL REMAIN SHALL HAVE SERVICE MISTAKENLY RECONNECTED TO EXISTING OR NEW PANELBOARD AS NECESSARY.
- ALL EXISTING LIGHT FIXTURES REMOVED FROM AREAS WHERE NEW SHOWN AND LIGHT FIXTURES ARE TO BE INSTALLED SHALL BE DISPOSED OF PER EPA GUIDELINES, GLASS AND LAMP GLASS.
- TO MAINTAIN SERVICE, TO EXTEND OR TO RECONNECT CIRCUITS WHERE CONDUIT CANNOT BE CONCEALED, SURFACE METAL RACEWAY (WIREMOLD) SHALL BE PROVIDED AS DIRECTED BY ARCHITECT PRIOR TO INSTALLATION.
- ELECTRICAL CONTRACTOR SHALL REVIEW ARCHITECTURAL DRAWINGS FOR DOOR SWINGS, CABINETS, AND OTHER FEATURES. CONDITIONS INDICATED ON ARCHITECTURAL DRAWINGS SHALL BE COORDINATED WITH ARCHITECT.
- COORDINATE ELECTRICAL WITH ARCHITECTURAL DETAILS, FLOOR PLANS, ELEVATIONS, STRUCTURAL, MECHANICAL AND PLUMBING DRAWINGS. PROVIDE FITTINGS, JUNCTION BOXES AND ACCESSORIES TO MEET CONDITIONS.
- REPAIR ALL HOLLOW PARTS. PARTS SHALL BE MOUNTED ABOVE COUNTER TOPS UNLESS KNEE SPACE PROVIDED. UNLINED HOLE IN COUNTER TOP FOR SERVICE CORDS. VERIFY WITH ARCHITECT.
- CONTRACTOR SHALL PROVIDE PLUGS OR RECEPTACLES TO VERIFY DEVICES FURNISHED BY OTHERS. CONTRACTOR SHALL PROVIDE PLUGS OR RECEPTACLES TO VERIFY DEVICES FURNISHED BY OTHERS. VERIFY WHERE CONDUIT RUNS ARE SHOWN EXPOSED IN AN AREA WITHOUT CEILING, ANY CONDUIT RUN GROUND IN A WALL SHALL BE CONCEALED.
- WHERE EXISTING CONCRETE FLOOR SLAB IS SAW CUT AND CONCRETE IS CHIPPED OUT FOR ELECTRICAL UNDER FLOOR EQUIPMENT ANY ELECTRICAL CONDUIT, WIRING AND PLUMBING PIPING THAT IS DAMAGED SHALL BE PATCHED, MENDED OR REPLACED BY TRADES ACTIVELY PARTICIPATING IN THIS TYPE OF WORK. RESPONSIBILITY FOR REPAIRS SHALL BE COORDINATED BETWEEN GENERAL CONTRACTOR AND ELECTRICAL SUBCONTRACTOR.
- CONTRACTOR SHALL SURVEY EXISTING SPACES FOR ABANDONED SYSTEMS CABLING CURRENTLY LOCATED ABOVE CEILING. CONTRACTOR TO VERIFY IF CABLING IS OPERABLE AND IN USE. ANY CABLE NOT IN USE SHALL BE REMOVED IN ITS ENTIRETY. ANY CABLE IN USE SHALL REMAIN AND SHALL BE SUPPORTED ACCORDINGLY TO MEET NEC. CONTRACTOR TO PROVIDE HANGERS AND JOCKS TO SUPPORT EXPOSED CABLING. ALL CABLE SHALL BE BUNDLED TOGETHER WITH FLEMING RATED THE WRAPS AND SUPPORTED FROM STRUCTURE ABOVE. SUPPORT OF CABLING FROM CEILING HANGER WIRE, CONDUIT, SPRINKLER PIPE, DUCT WORK, ETC. WILL NOT BE ACCEPTABLE.
- CONTRACTOR TO SURVEY EXISTING AREAS ABOVE CEILING FOR EXISTING ELECTRICAL CONDUIT AND JUNCTION BOXES WHICH ARE TO REMAIN. ANY CONDUIT OR JUNCTION BOXES NOT CURRENTLY IN COMPLIANCE WITH NEC SHALL BE SUPPORTED ACCORDINGLY TO MEET CODE. CONTRACTOR TO PROVIDE ADDITIONAL HANGERS TO SUPPORT AS NECESSARY.
- CONTRACTOR TO REVIEW EXISTING CONDUIT PENETRATIONS OF RATED WALL AT RENOVATED SPACES. CONTRACTOR TO PROPERLY STOP ANY EXISTING CONDUIT PENETRATIONS OF RATED WALLS IN ORDER TO MAINTAIN INTEGRITY OF RATED WALL.



1 OCCUPANCY SENSOR SWITCHING DETAIL
E100 SCALE: NONE



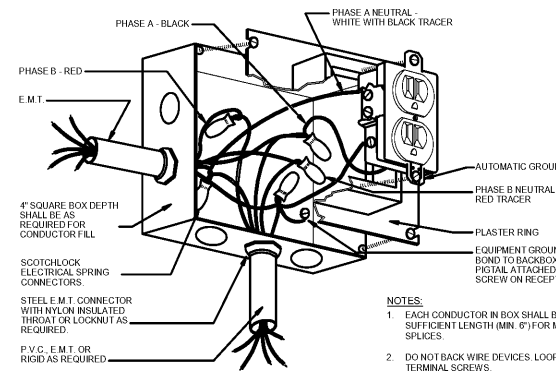
2 MULTIPLE OCCUPANCY SENSOR SWITCHING DETAIL
E100 SCALE: NONE



3 DETAIL - CEILING MOUNTED RECEPTACLE
E100 SCALE: NONE

FIXTURE SCHEDULE

TYPE	DESCRIPTION	MANUFACTURER
A	L.E.D. FIXTURE, 2' x 4' RECESSED GRID TYPE TROFFER WITH LOW PROFILE VOL. LUMENS (3000K, 40 WATTS) DRIVER MULTI-VOLT. (0-10V DIMMING), 1% DIMMABLE DRIVER	LITHONIA "LIT" SERIES METALUX "S" SERIES DAYBRITE COLUMBIA
B	2' x 4' RECESSED, L.E.D. FLAT PANEL WITH SWITCHABLE LUMEN OPTION, WHITE EXTRUDED ALUMINUM FRAME, EDGE MOUNTED, L.E.D.'s, STEEL BACK PLATE AND WHITE PROTECTED DIFFUSER. PROVIDE WITH MINIMUM 1% DIMMABLE DRIVER	LITHONIA "DRAN" SERIES METALUX "S" SERIES ORACLE
C	4' x 4' L.E.D. LINEAR PENDANT WITH WIDE DIFFUSED DIRECT/DIRECT LIGHT DISTRIBUTION OPTICS. PROVIDE WITH MATTE WHITE SIDE REFLECTORS. PROTECTED ACRYLIC DIFFUSER AND ANTI-CORROSION COATING. FINISH SHALL BE SELECTED BY ARCHITECT. FIXTURES TO BE SUPPORTED FROM STRUCTURAL BEAMS AT 13'-0" A.F.F. PROVIDE WITH 1% DIMMABLE DRIVER OR WATTS PER SECTION	STARTEK "BEAM" SERIES LAMPWORK INDUSTRIAL FACILITY PENDANT
C2	EMERGENCY LIGHTING UNIT WITH LOW PROFILE DIE-CAST ALUMINUM HOUSING AND INTEGRATED BATTERY PACK. PROVIDE WITH 1% DIMMABLE DRIVER. FINISH SHALL BE SELECTED BY ARCHITECT. MOUNT 9'-0" A.F.F. OR AS DIRECTED BY ARCHITECT	LITHONIA "LIT" SERIES GRA APPROVED EQUAL
EM	EMERGENCY LIGHTING UNIT WITH LOW PROFILE DIE-CAST ALUMINUM HOUSING AND INTEGRATED BATTERY PACK. PROVIDE WITH 1% DIMMABLE DRIVER. FINISH SHALL BE SELECTED BY ARCHITECT. MOUNT 9'-0" A.F.F. OR AS DIRECTED BY ARCHITECT	LITHONIA AFFINITY "AFF" LED SERIES GRA APPROVED EQUAL
K	L.E.D. SURFACE MOUNTED 8" TRIP LIGHT WITH LIGHTWEIGHT COMPACT DESIGN, STEEL CHANNEL, HIGH-GLOSS BACKED WHITE FINISH AND MEDIUM DIFFUSE LENS. PROVIDE CONTINUOUS ROW MOUNTING (WHERE SHOWN ON PLANS) FOR LENGTHS SHOWN ON PLANS. FIXTURE SHALL BE SUPPORTED WITH ANCHOR CABLE AND "Y" HANGERS. PROVIDE END-TO-END FLUG WIRING OPTION.	LITHONIA "2.10" SERIES METALUX DAYBRITE COLUMBIA
L	L.E.D. DECORATIVE WALL BRACKET WITH CLASSIC VICTORIAN STYLED 16" ROUND WHITE POLYCARBONATE VANDAL RESISTANT GLOBE WITH CAST ALUMINUM #508 FILTER HOUSING AND DECORATIVE RING. RING SHALL BE 1/2" TAPERED ALUMINUM CONSTRUCTION WITH BLACK FINISH. PROVIDE ONE PIECE CORROSION RESISTANT CAST ALUMINUM BASE WITH A SMOOTH STEPPED BOTTOM SECTION WITH FLUSH HANDLE AND DECORATIVE TAPERED FLUTE SECTION.	3TERRBERG #016WLEDJDF/4845LPA / MOLDJ BKT OR APPROVED EQUAL
LP	L.E.D. DECORATIVE WALL BRACKET WITH CLASSIC VICTORIAN STYLED 24" ROUND WHITE POLYCARBONATE VANDAL RESISTANT GLOBE WITH CAST ALUMINUM #508 FILTER HOUSING AND DECORATIVE RING. RING SHALL BE 1/2" TAPERED ALUMINUM CONSTRUCTION WITH BLACK FINISH. PROVIDE ONE PIECE CORROSION RESISTANT CAST ALUMINUM BASE WITH A SMOOTH STEPPED BOTTOM SECTION WITH FLUSH HANDLE AND DECORATIVE TAPERED FLUTE SECTION.	3TERRBERG #024WLEDJDF/4845LPA / MOLDJ BKT OR APPROVED EQUAL
Q	UNIVERSAL MOUNTED L.E.D. DAT LIGHT WITH RECTANGULAR SHAPED RECESSED ALUMINUM HOUSING WITH NICKEL FINISH. RED LETTERING ON RECESSED BACKGROUND AND 120VOLT VOLTAGE INPUT. PROVIDE BACK UP BATTERY PACK WITH MAINTENANCE FREE Ni-CAD BATTERIES OR MINIMUM 90 MINUTES OF ILLUMINATION. PROVIDE STEM KITS AS REQUIRED FOR EXPOSED CEILING APPLICATIONS.	LITHONIA "EOD" SERIES DUAL-LITE EMERGENCY LIGHT GUARD



4 DETAIL - RECEPTACLE CONNECTION
E100 SCALE: NONE

MECHANICAL/ELECTRICAL COORDINATION

ELECTRICAL CONTRACTOR IS TO NOTE THAT COORDINATION IS REQUIRED BETWEEN THE MECHANICAL CONTRACTOR AND ELECTRICAL CONTRACTOR IN REGARDS TO HVAC UNIT VOLTAGE, PHASE, AND MOPD REQUIREMENTS FOR THE NEW EQUIPMENT BEING PROVIDED. SUCH COORDINATION IS OF EXTREME IMPORTANCE ON THIS PROJECT AS SOME HVAC UNITS ARE BEING REPLACED AND MATCHING THE EXACT VOLTAGE / PHASE / MOPD REQUIREMENTS AS THE EXISTING UNITS. HOWEVER, SOME UNITS BEING REPLACED HAVE DIFFERING PHASE, CONDUCTOR AND MOPD REQUIREMENTS. PRIOR TO ANY HVAC OR ELECTRICAL SUBMITTALS BEING ASSIMILATED, THE ELECTRICAL CONTRACTOR AND MECHANICAL CONTRACTOR SHALL SCHEDULE A FIELD COORDINATION SITE VISIT TO DETERMINE EXISTING CONDITIONS FOR HOW EACH EXISTING UNIT IS CURRENTLY SERVED AND HOW THE NEW UNIT WILL BE SERVED. EACH CONTRACTOR SHALL REVIEW THE MECHANICAL AND ELECTRICAL DRAWINGS TO CONFIRM SUCH. ANY DISCREPANCIES NOTED SHALL BE BROUGHT TO THE ATTENTION OF THE ENGINEER PRIOR TO ANY PURCHASE OF EQUIPMENT OR ROUGH IN. SUBMIT A COORDINATION LETTER NOTING THIS COORDINATION AND ANY DISCREPANCIES.

SHEET ISSUE	NO	DATE	DESCRIPTION	BY
A	01/27/2020	SD PUNCH SET		
B	03/06/2020	DD SET		
D	04/02/2020	PERMIT SET		
E	07/02/2020	ISSUED FOR BIDS		

ISSUED FOR BIDS 07/02/2020

PRINCIPAL IN CHARGE: MAP
PROJECT ENGINEER: ALG
DRAWN BY: ALG

SHEET TITLE:
**LEGEND, NOTES,
DETAIL AND
FIXTURE
SCHEDULE**