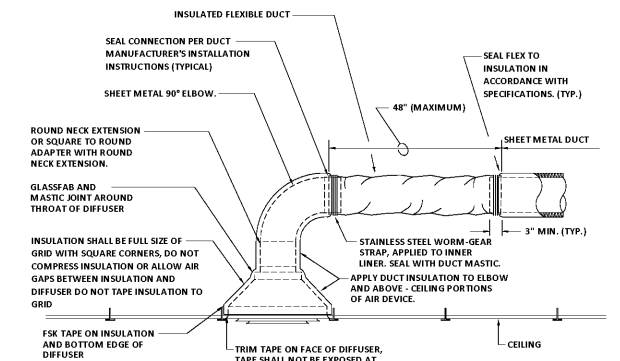
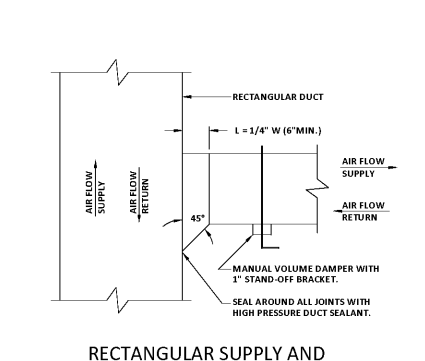


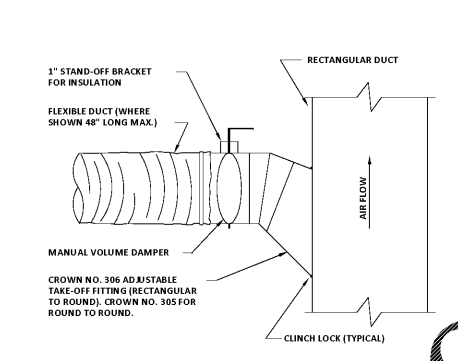
1 EXHAUST/RETURN GRILLE CONNECTION DETAILS
M700 NOT TO SCALE



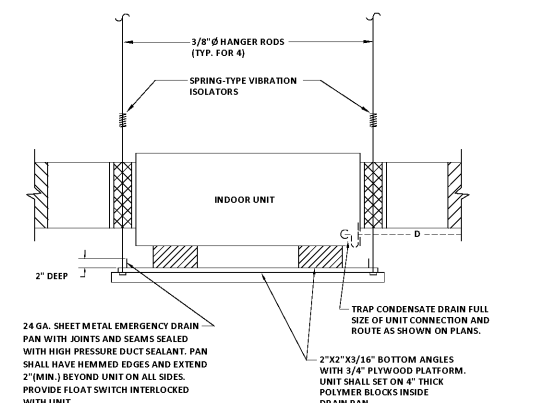
2 FLEXIBLE ROUND DUCT CONNECTION DETAIL
M700 NOT TO SCALE



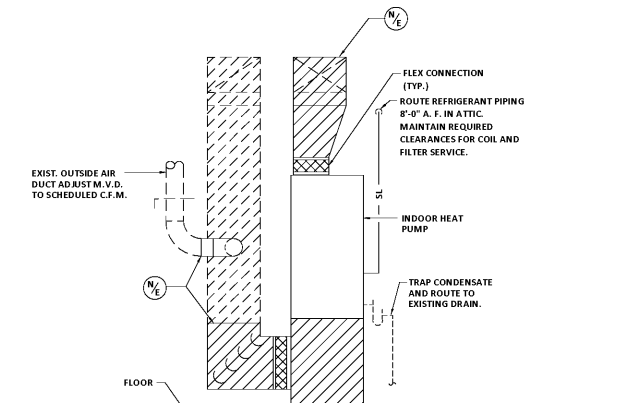
3 RECTANGULAR SUPPLY AND RETURN DUCT TAKE-OFF DETAIL
M700 NOT TO SCALE



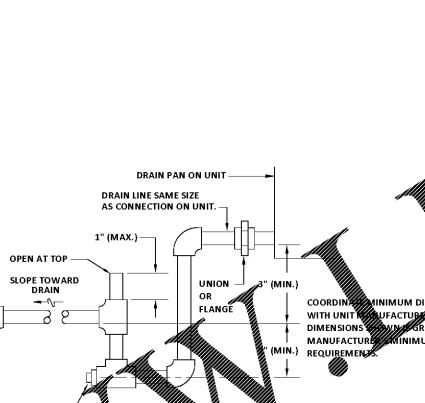
4 SUPPLY DUCT TAKE-OFF FITTING DETAIL
M700 NOT TO SCALE



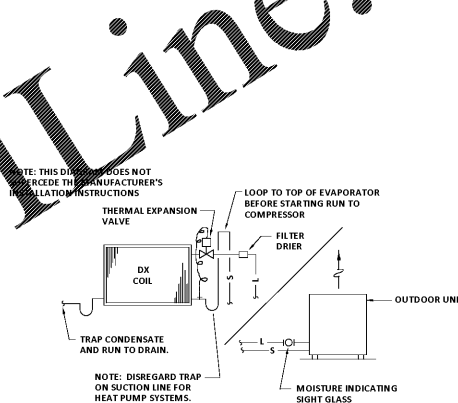
5 SECTION @ IHP-1 AND IHP-2
M700 NOT TO SCALE



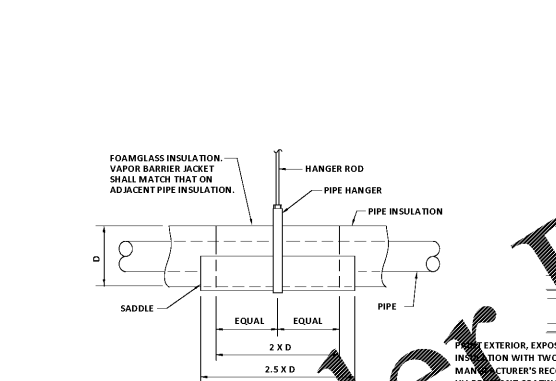
6 VERTICAL INDOOR HEAT PUMP INSTALL DIAGRAM
M700 NOT TO SCALE



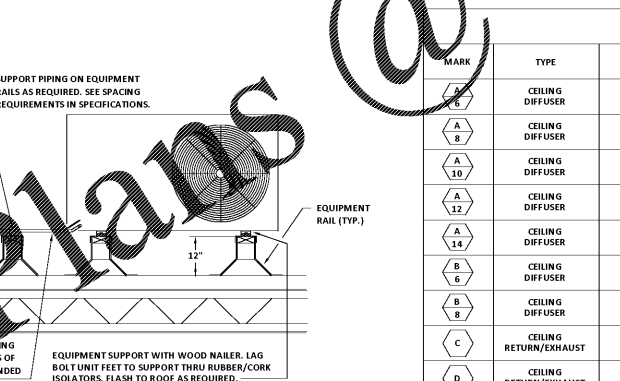
7 CONDENSATE DRAIN TRAP DETAIL
M700 NOT TO SCALE



8 REFRIGERANT PIPING DIAGRAM
M700 NOT TO SCALE



9 PIPE HANGER SADDLE DETAIL
M700 NOT TO SCALE



10 SECTION @ OUTDOOR UNIT ON ROOF
M700 NOT TO SCALE

-- AIR DISTRIBUTION SCHEDULE --

| MARK | TYPE | NECK CONNECTION (1) | FINISH | ORD | PRICE NO. UNLESS NOTED | REMARKS (2) |
|------|------------------------|---------------------|--------------------------------|-----|------------------------|---|
| A 6 | CEILING DIFFUSER | 6" Ø | MANUFACTURER'S STANDARD FINISH | NO | SCD-4C | 24 X 24 PANEL (3) |
| A 8 | CEILING DIFFUSER | 8" Ø | MANUFACTURER'S STANDARD FINISH | NO | SCD-4C | 24 X 24 PANEL (3) |
| A 10 | CEILING DIFFUSER | 10" Ø | MANUFACTURER'S STANDARD FINISH | NO | SCD-4C | 24 X 24 PANEL (3) |
| A 12 | CEILING DIFFUSER | 12" Ø | MANUFACTURER'S STANDARD FINISH | NO | SCD-4C | 24 X 24 PANEL (3) |
| A 14 | CEILING DIFFUSER | 14" Ø | MANUFACTURER'S STANDARD FINISH | NO | SCD-4C | 24 X 24 PANEL (3) |
| B 6 | CEILING DIFFUSER | 6" Ø | MANUFACTURER'S STANDARD FINISH | NO | SCD | 12 X 12 PANEL (3) |
| B 8 | CEILING DIFFUSER | 8" Ø | MANUFACTURER'S STANDARD FINISH | NO | SCD | 12 X 12 PANEL (3) |
| C | CEILING RETURN/EXHAUST | 10" X 10" | MANUFACTURER'S STANDARD FINISH | NO | 80 | 12 X 12 PANEL WITH BORDER FRAME |
| D | CEILING RETURN/EXHAUST | 22" X 22" | MANUFACTURER'S STANDARD FINISH | NO | 80 | 24 X 24 PANEL WITH BORDER FRAME |
| E | SUPPLY REGISTER | SEE PLANS | MANUFACTURER'S STANDARD FINISH | YES | S200 | DOUBLE DEFLECTION 3/4" BLADE SPACING |
| F | RETURN GRILLE | SEE PLANS | MANUFACTURER'S STANDARD FINISH | NO | S35 | 45° DEFLECTION 1/2" BLADE SPACING |
| H 10 | SUPPLY SLOT DIFFUSER | 10" Ø | MANUFACTURER'S STANDARD FINISH | NO | RS220 | 2" SLOT - 4" LENGTH W/ENGINEERED PLENUM |

- DUCT RUNOUT SIZE SAME AS NECK CONNECTION SIZE, UNLESS NOTED OTHERWISE.
- PROVIDE LAY-IN TYPE FOR T-BAR CEILINGS AND SURFACE TYPE FOR ALL OTHER CEILINGS. REFER TO ARCHITECTURAL FINISH SCHEDULE FOR CEILING TYPES.
- PROVIDE WITH REMOVABLE CORE (RC) AND MOLDED, INSULATED BACKPAN WITH FOIL SKRIM VAPOR BARRIER.
- CONCEALED FRAME. COORDINATE WITH ARCHITECTURE.

- HVAC NOTES:**
- NOT ALL EXISTING WORK IS SHOWN, AND THAT SHOWN IS IN ITS APPROXIMATE LOCATION AND ARRANGEMENT. EXACT LOCATION, ARRANGEMENT, AND SIZES SHALL BE VERIFIED ON THE JOB BEFORE STARTING ANY NEW WORK.
 - INSTALL PIPING AND DUCTWORK IN EQUIPMENT ROOMS ADJACENT TO WALLS AND CEILINGS WHERE POSSIBLE TO PROVIDE MAXIMUM ROOM CLEARANCE.
 - COORDINATE THE INSTALLATION OF WORK UNDER THIS DIVISION WITH THAT OF OTHER TRADES TO PROVIDE THE BEST ARRANGEMENT OF PIPING, DUCTWORK, AND EQUIPMENT.
 - PIPING, DUCTWORK, AND EQUIPMENT IS SHOWN IN ITS GENERAL LOCATION UNLESS DIMENSIONED.
 - ARRANGE PIPING AND DUCTWORK TO CLEAR STRUCTURAL MEMBERS, PIPING AND LIGHT FIXTURES.
 - EXACT LOCATION OF GRILLES AND CEILING OUTLETS SHALL BE DETERMINED ON THE JOBSITE. COORDINATE WITH LIGHTS, SPRINKLER HEADS, AND OTHER CEILING APPLIANCES TO PROVIDE A UNIFORM AND SYMMETRICAL APPEARANCE. REFER TO ARCHITECTURAL AND ELECTRICAL DRAWINGS AND DETAILS.
 - ALL PIPING SHALL BE CONCEALED, UNLESS NOTED OTHERWISE.
 - PROVIDE FLEXIBLE DUCT CONNECTIONS TO ALL AIR HANDLING EQUIPMENT.
 - PROVIDE UNION OR FLANGE CONNECTIONS IN PIPING AT ALL HYDRONIC EQUIPMENT AND CONTROL VALVES, AND AS REQUIRED FOR SERVICE.
 - PROVIDE ACCESS DOORS IN DUCTWORK FOR ALL FIRE AND SMOKE DAMPERS, DUCT-MOUNTED COILS, AND CONTROL DEVICES.
 - SLOPE DRAIN LINES TOWARD DRAIN WITH A MINIMUM SLOPE OF 1/4" PER FOOT.
 - PROVIDE SMOKE DETECTOR SHUTDOWN CONTROLS FOR ALL HVAC SYSTEMS IN EXCESS OF 2000 CFM.

MECHANICAL / ELECTRICAL COORDINATION NOTE:

MECHANICAL CONTRACTOR IS TO NOTE THAT COORDINATION IS REQUIRED BETWEEN THE MECHANICAL CONTRACTOR AND ELECTRICAL CONTRACTOR IN REGARDS TO HVAC UNIT VOLTAGE, PHASE, AND MOCP REQUIREMENTS FOR THE NEW EQUIPMENT BEING PROVIDED. SUCH COORDINATION IS OF EXTREME IMPORTANCE ON THIS PROJECT AS SOME UNITS ARE BEING REPLACED AND MATCHING THE EXACT VOLTAGE / PHASE / MOCP REQUIREMENTS AS THE EXISTING UNITS. HOWEVER, SOME UNITS BEING REPLACED HAVE DIFFERING PHASE, CONDUCTOR AND MOCP REQUIREMENTS. PRIOR TO ANY HVAC SUBMITTALS BEING ASSIMILATED, THE ELECTRICAL CONTRACTOR AND MECHANICAL CONTRACTOR SHALL SCHEDULE A FIELD COORDINATION SITE VISIT TO DETERMINE EXISTING CONDITIONS FOR HOW EACH EXISTING UNIT IS CURRENTLY SERVED AND HOW THE NEW UNIT WILL BE SERVED. EACH CONTRACTOR SHALL REVIEW THE MECHANICAL AND ELECTRICAL DRAWINGS TO CONFIRM SUCH. ANY DISCREPANCIES NOTED SHALL BE BROUGHT TO THE ATTENTION OF THE ENGINEER PRIOR TO ANY PURCHASE OF EQUIPMENT OR ROUGH IN. SUBMIT A COORDINATION LETTER NOTING THIS COORDINATION AND ANY DISCREPANCIES.

AIKEN COUNTY
AIKEN PUBLIC LIBRARY & NORTH WING
RENOVATION
314 CHESTERFIELD ST. AIKEN, SC

SHEET ISSUE:

| NO. | DATE | DESCRIPTION | BY |
|-----|------------|-----------------|-----|
| D | 04/10/2020 | Permit Set | JMF |
| E | 07/02/2020 | ISSUED FOR BIDS | JMF |

ISSUED FOR BIDS 07/02/2020
PRINCIPAL IN CHARGE: JMF
PROJECT ENGINEER: D.JM
DRAWN BY: RWW

SHEET TITLE:
HVAC DETAILS

SHEET NO. 69
PROJ. NO. 019477.01

M700

1" = 8'
PLOT DATE: 4/9/2020
FILE NAME: 19088
PLOT SCALE: 1 = 96
RWW

Order Plans @ www.DIline.com