



AIKEN COUNTY
AIKEN PUBLIC LIBRARY & NORTH WING
RENOVATION
314 CHESTERFIELD ST. S. AIKEN, SC

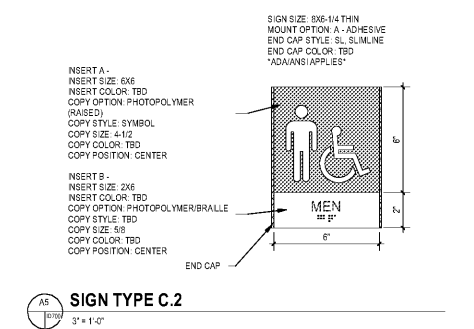
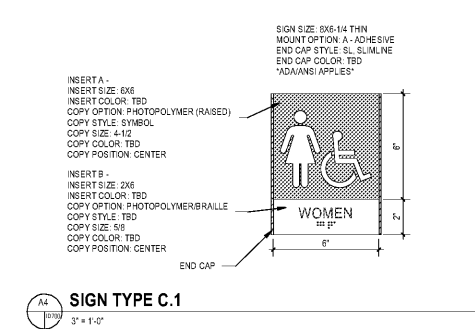
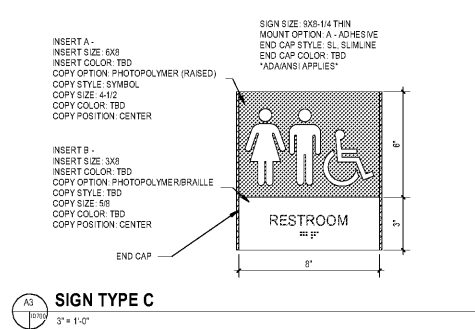
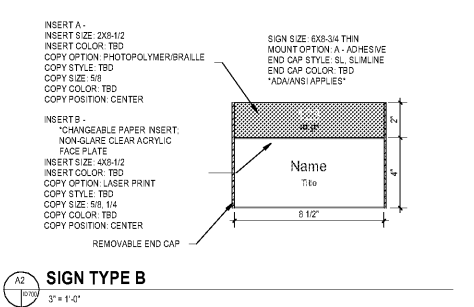
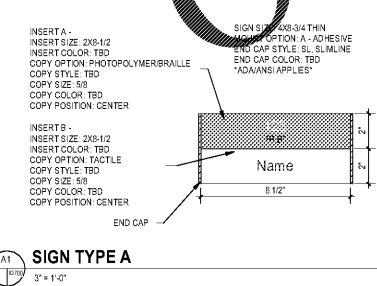
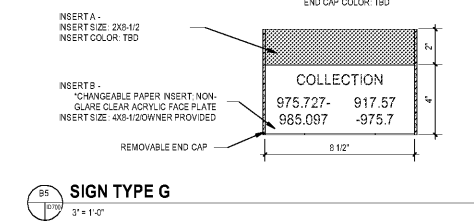
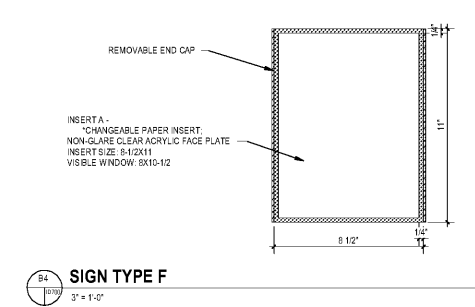
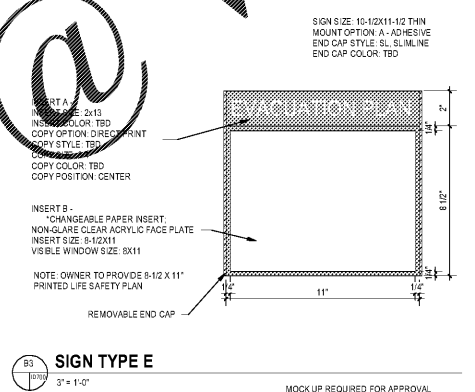
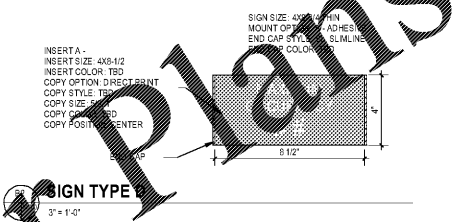
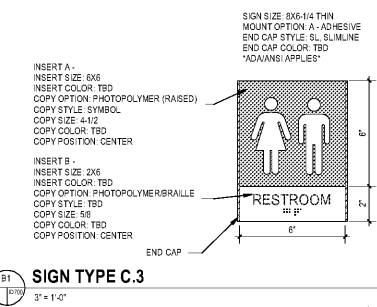
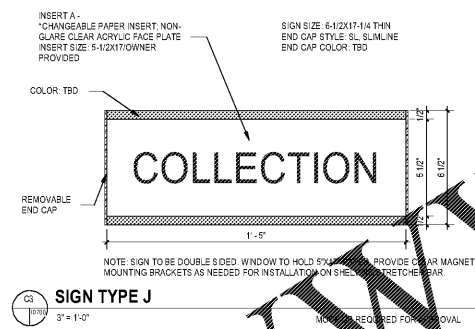
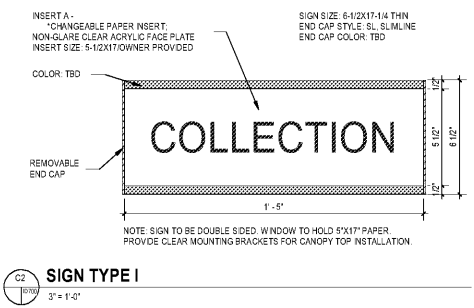
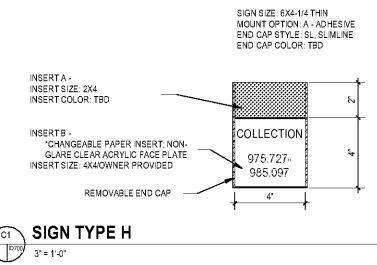
SHEET ISSUE NO.	DATE	DESCRIPTION	BY
E	07/02/2020	ISSUED FOR BIDS	

ISSUED FOR BIDS 07/02/2020

PRINCIPAL IN CHARGE: DRM
PROJECT ARCHITECT: TA
DRAWN BY: MW

SHEET TITLE:
INTERIOR SIGNAGE
TYPES AND DETAILS

SHEET NO. PROJ. NO.
ID700 019477.01



Order Plans

WWW.LDILine.com

THIS DOCUMENT IS THE PROPERTY OF MCMILIAN PAZDAN SMITH ARCHITECTURE. IT IS TO BE USED ONLY FOR THE PROJECT AND SITE SPECIFICALLY IDENTIFIED HEREIN. IT IS NOT TO BE REPRODUCED, COPIED, OR TRANSMITTED IN ANY FORM OR BY ANY MEANS, ELECTRONIC OR MECHANICAL, INCLUDING PHOTOCOPYING, RECORDING, OR BY ANY INFORMATION STORAGE AND RETRIEVAL SYSTEM, WITHOUT THE WRITTEN PERMISSION OF MCMILIAN PAZDAN SMITH ARCHITECTURE. ANY UNAUTHORIZED USE OF THIS DOCUMENT IS STRICTLY PROHIBITED. ALL RIGHTS ARE RESERVED.