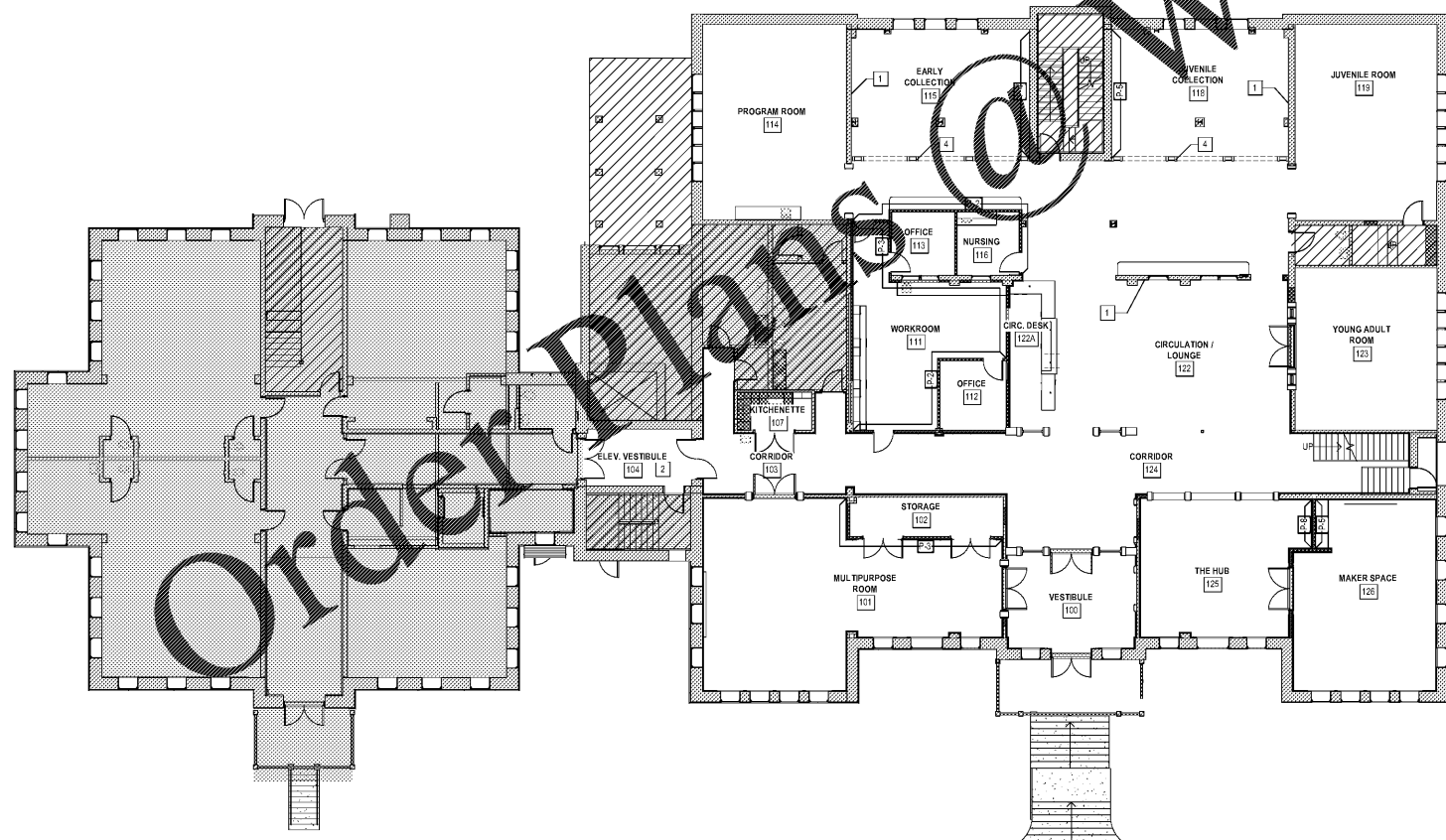


1 FIRST LEVEL WALL FINISH PLAN - PHASE I  
3/32" = 1'-0"



A1 FIRST LEVEL WALL FINISH PLAN - PHASE II  
3/32" = 1'-0"

WALL FINISH LEGEND

- INDICATES EXTENT, MATERIAL, AND COLOR OF WALL ACCENT (VERTICAL SURFACES)
- INDICATES EXTENT, MATERIAL, AND COLOR OF OVERHEAD VERTICAL ACCENT
- INDICATES COLOR OF CEILING ACCENT (HORIZONTAL SURFACES)
- NOT IN PHASE
- NO WORK

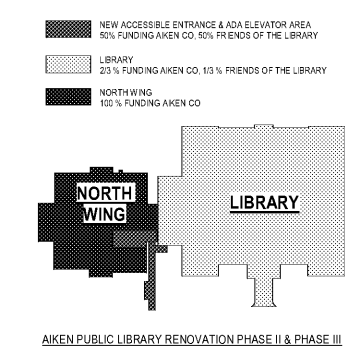
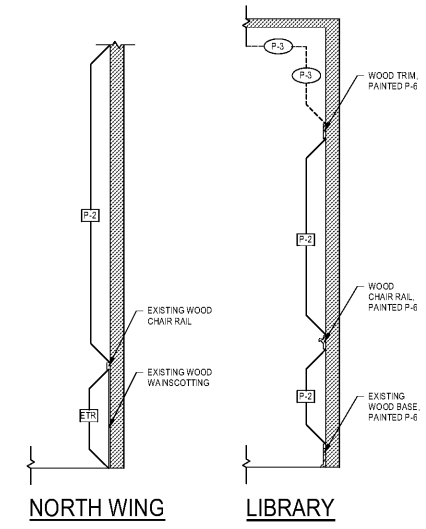
WALL FINISH NOTES

- A. REF ROOM FINISH SCHEDULE FOR WALL FINISH SELECTIONS. WALL FINISH PLAN CLARIFIES MATERIAL/COLOR EXTENT AND TERMINATION LOCATION EVIDENT IN SCHEDULE
- B. ALL HORIZONTAL AND VERTICAL SURFACES OF SOFFITS TO BE PAINTED WALLS UNO
- C. ALL DOORS, DOOR FRAMES, AND MULLIONS DESIGNATED TO RECEIVE PAINT SHALL HAVE SEMI-GLOSS FINISH. ALL WALLS, CEILING, AND CEILING FINISH SCHEDULED TO RECEIVE PAINT SHALL BE EQUAL TO THE FINISH TO FULL HEIGHT UNO
- D. RESTROOM WALLS SELECTED TO RECEIVE PAINT SHALL HAVE FULL HEIGHT UNO
- E. ALL GWB WALLS SHALL RECEIVE #2 AND GROUNDING SHALL NOT IDENTIFIED IN WALL FINISH PLAN OR ROOM FINISH SCHEDULE WITH MATERIAL/COLOR
- F. ALL GWB COLUMNS SHALL RECEIVE #3 UNO

SHEET NOTES

1. EXPOSED BRICK WALL SHALL NOT RECEIVE PAINT
2. VENTILATION BID PRICING SHALL REFLECT NO WORK. ALTERNATE FOR NEW FLOORING BASE SHALL INCLUDE COST TO PATCH AND REPAINT WALLS
3. WOOD COLUMNS SHALL NOT RECEIVE PAINT

TYPICAL PAINT DETAILS



AIKEN PUBLIC LIBRARY RENOVATION PHASE II & PHASE III



CONSULTANT LOGO

SCALE



AIKEN COUNTY  
AIKEN PUBLIC LIBRARY & NORTH WING  
RENOVATION  
314 CHESTERFIELD ST. S, AIKEN, SC

NO.	DATE	DESCRIPTION	BY
B	03/06/2020	DD SET	
D	04/19/2020	PERMIT SET	
E	07/02/2020	ISSUED FOR BIDS	

ISSUED FOR BIDS 07/02/2020  
PRINCIPAL IN CHARGE DRM  
PROJECT ARCHITECT TA  
DRAWN BY MNW

SHEET TITLE  
FIRST LEVEL WALL  
FINISH PLAN

SHEET NO. PROJ. NO.  
019477.01

ID315A