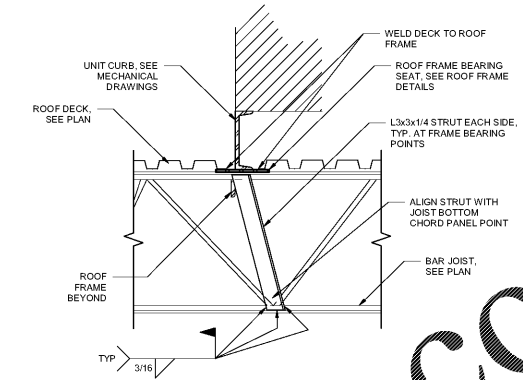
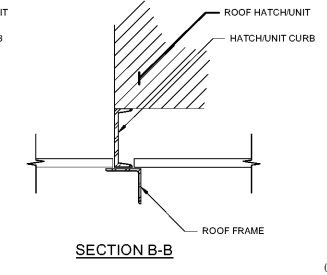


- NOTES:
1. PROVIDE ANGLE FRAMES AT ALL ROOF OPENINGS GREATER THAN 16" IN ANY DIRECTION
 2. PROVIDE ROOF FRAMES AT ALL MECHANICAL UNIT CURBS
 3. REMOVE ROOF DECK AS REQUIRED AT PENETRATION. ENSURE ALL EDGES ARE SUPPORTED. WELD ROOF DECK EDGES TO FRAME.
 4. ROOF FRAME LAYOUT IS SCHEMATIC. PROVIDE MULTIPLE AND/OR PARTIAL FRAMES AS REQUIRED TO ENSURE ALL MECHANICAL CURBS BEAR ON ROOF FRAME, AND ALL DECK EDGES AT BOTH SIDES OF CURBS AND AT PENETRATIONS ARE SUPPORTED. PROVIDE DOUBLE ANGLES AS NECESSARY FOR LARGER CURBS TO ENSURE CURB AND DECK EDGES ARE FULLY SUPPORTED.
 5. L4x4x1/8 ANGLES MAY BE USED FOR FRAMES AT MISCELLANEOUS PENETRATIONS WITHOUT CURBS.
 6. PROVIDE JOIST STRUTS PER TYPICAL JOIST STRUT DETAIL AT ALL FRAME BEARING POINTS (NOT REQUIRED AT ROOF HATCHES)



- NOTE:
1. DETAIL IS TYPICAL AT ALL MECHANICAL UNIT ROOF FRAME BEARING POINTS
 2. DETAIL IS TYPICAL AT ALL CONCENTRATED LOADS EXCEEDING 200 LBS NOT OCCURRING AT PANEL POINTS
 3. DETAIL IS SIMILAR WHERE CONCENTRATED LOAD IS APPLIED AT BOTTOM CHORD. LOCATE TOP OF STRUT TO ALIGN WITH TOP CHORD PANEL POINT

1 TYP. ROOF FRAME (WITH RETROFIT CONDITION)
SCALE: 1" = 1'-0"

2 TYP. JOIST STRUT (CONCENTRATED LOAD)
SCALE: 1" =



AIKEN COUNTY
AIKEN PUBLIC LIBRARY & NORTH WING
RENOVATION
314 CHESTERFIELD ST, AIKEN, SC

SHEET ISSUE

A	01/27/2020	SD PRICING SET
B	03/06/2020	DS SET
C	04/10/2020	PERMIT SET
E	07/02/2020	ISSUED FOR BIDS

PRINCIPAL IN CHARGE: BC
PROJECT ENGINEER: RCS
DRAWN BY: RCS

SHEET TITLE:
TYP FRAMING
DETAILS

SHEET NO. PROJ. NO.
S220 19477.01
CEG NO. 2019-0480

S220

Order Plans @ www.LDILine.com