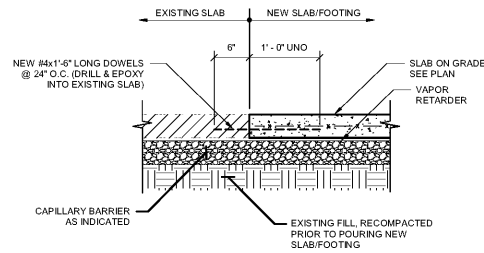
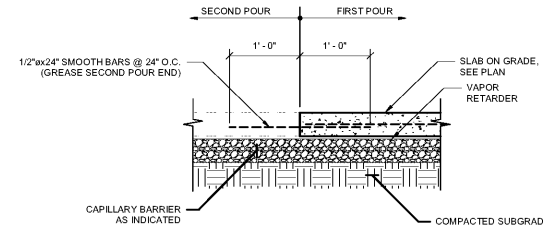


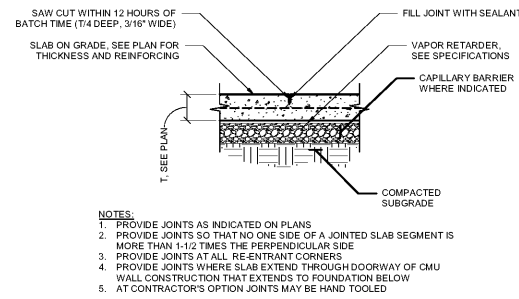
1 TYP. FOOTING CONSTRUCTION JOINT  
S201 SCALE: 1" = 1'-0"



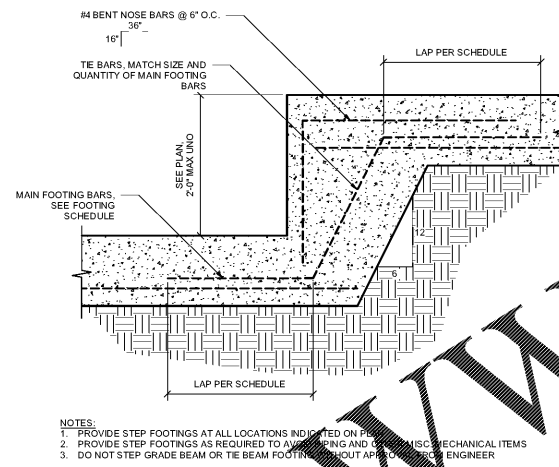
2 TYP. NEW-TO-EXISTING SLAB CONSTRUCTION  
S201 SCALE: 1" = 1'-0"



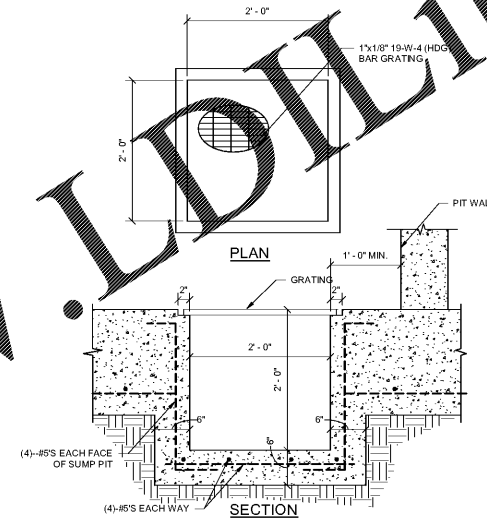
3 TYP. SLAB-ON-GRADE CONSTRUCTION JOINT  
S201 SCALE: 1" = 1'-0"



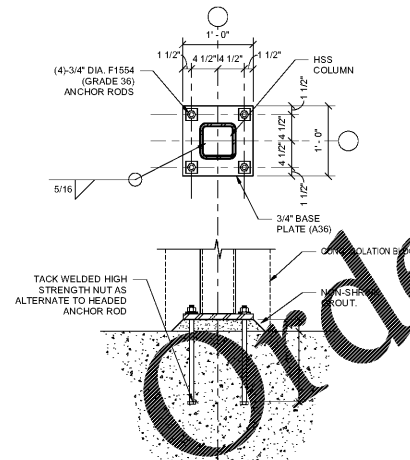
4 TYP. SLAB-ON-GRADE CONTROL JOINT (CJ)  
S201 SCALE: 1" = 1'-0"



5 TYP. STEP FOOTING  
S201 SCALE: 1" = 1'-0"



6 TYP. SUMP PIT  
S201 SCALE: 1" = 1'-0"



7 TYP. HSS BASE PLATE  
S201 SCALE: 1" = 1'-0"

SHEET ISSUE		
A	01/27/2020	SD PRICING SET
B	03/09/2020	DS SET
C	04/10/2020	PERMIT SET
E	07/02/2020	ISSUED FOR BIDS

PERMIT SET	04/10/2020
PRINCIPAL IN CHARGE	RCS
PROJECT ENGINEER	RCS
DRAWN BY	RCS

SHEET TITLE:  
TYP FND DETAILS

SHEET NO.	PROJ. NO.
	15477.01
	CEG NO. 2019-048

S201