

POPEYES INSTALLATION NOTES

NOTE: PROGRAMMING SEQUENCE SET UP AT THE NCCC FOR LOCATIONS WITH OUTDOOR CAMERAS. OUTDOOR POLE MOUNT 15' ABOVE FINISHED PAVEMENT. USE GROUND ISOLATION TRANSFORMERS.

SECURITY CO. TO RUN FLEX CONDUIT INSIDE LIGHT POLES- EC TO RUN CONDUIT FROM RESTAURANT TO BASE OF LIGHT POLE & MOUNT. JUNCTION BOX 15' ABOVE FINISHED PAVEMENT ON POLE.

OUTDOOR CAMERAS

- A-1: DRIVE THRU WINDOW AND CAR STACK
- A-2: SECONDARY, SINGLE ENTRY DOOR
- A-3: MAIN DOUBLE ENTRY DOOR
- A-4: REAR ENTRY DOOR
- A-5: ORDER CONFIRMATION BOARD AT DRIVE THRU

INDOOR CAMERAS

INDOOR CEILING MOUNT IN TINTED DOME.

FASTEN SCREW IN CEILING FOR DOMES SO NOT EASILY DROPPED OUT OF TILE.

- B-1: DINING ROOM AREA, H-COUNTER
- B-2: DINING ROOM AREA, H-COUNTER
- B-3: FRONT SALES COUNTER FROM DINING ROOM
- B-4: CONDIMENT AREA, H-COUNTER
- B-5: FRONT SALES COUNTER FROM PRODUCTION COUNTER
- B-6: DRIVE THRU
- B-7: PREPARATION AREA TOWARDS REAR OF BUILDING
- B-8: OFFICE
- B-9: BATTER / FRY AREA TOWARDS REAR OF BUILDING
- B-10: REAR DOOR FROM STORAGE AREA
- B-11: STORAGE AREA FROM REAR DOOR
- B-12: WALK IN COOLER (OPTIONAL)
- B-13: WALK IN FREEZER (OPTIONAL)

OFFICE AREA

BAC: BURGLAR ALARM CONTROL VISTA 205EUL

- D-VCR:
- E-VCR:
- F-MONITOR:

QUICK REFERENCE SHEETS

ALARM INSTRUCTION SHEET TO BE MOUNTED ON WALL IN EMPLOYEE ONLY AREA CLOSEST TO KEYPAD OR IN OFFICE AREA PER CUSTOMER INSTRUCTION.

FOR LOCATIONS WITH 6 OR MORE CAMERAS: ADD MULTIPLEXER. LTC 284180 PLACE ON SECURITY LOCK FOR NO TAMPER.

FOR LOCATIONS WITH 4 CAMERAS OR LESS: ADD VIDQUAD 4 CHANNEL LTC 227280.

HUB: HOLD UP BUTTON 441494 SERIES LATCHING HUB.

MANAGER AREA: 36" AFF OUT OF SITE FROM FRONT COUNTER.

DRIVE-THRU WINDOW: 18" AFF & OUT OF SITE FROM OUTSIDE.

FRYER/PREP AREA

SL: STROBE LIGHT AS SL 4018 BLUE STROBE MOUNT BEHIND MENU BOARD. IT WILL FLASH CONTINUOUSLY WHILE BACK DOOR IS OPEN.

S: SOUNDER AS PAL328N LOW TONE SOUNDER MOUNT WITH STROBE BEHIND MENU BOARD. IT WILL SOUND WHEN BACK DOOR IS OPENED. MANAGER WILL SILENCE ST SOUNDER AT KEYPAD AFTER 1 TONE.

MD: MOTION DETECTOR AP 689 PIR 360 MOTION MOUNT IN STOVE AREA TO GET AREA FROM DRIVE-UP WINDOW AND GENERAL REAR AREA.

LOBBY/PERIMETER AREA/BACK OF HOUSE

KP: KEY PAD MOUNT 40" AFF

GB: FG 1025 GLASS BREAK LOBBY GLASS ONE EACH SIDE OF BUILDING SEE DRAWING FOR DEVICE PLACEMENT

C: B4039 CONTACT ALL EXTERIOR DOORS

BACK DOOR CONTACT TO ACT AS ALARM POINT FOR BACK DOOR ALARM 24 HOUR LOCATION POINT SOUNDER & BLUE STROBE TO ACTIVATE WHEN BACK DOOR IS OPEN

HUB: 3505CT SERIES LATCHING HUB IN COOLER/FREEZER MOUNT 18" AFF ON HINGE SIDE OF DOOR. STUB UP CONDUIT TO PROTECT WIRING FROM CONDENSATION/DAMAGE NO DRIP LOOP AT HUB

POC: POINT OF CONNECTION TO NKL SAFE-PIGTAIL PROVIDED BY NKL SAFE

POPEYES ADD ON MODIFICATION NAMES AND PHONE NUMBERS

1. INSTALLER PLEASE CONTACT YOUR SECURITY AND ALARM SYSTEM VENDOR FOR ANY ADD-ONS OR MODIFICATIONS TO YOUR JOB. THEY WILL CONTACT THE NATIONAL ACCOUNT MANAGER FOR APPROVALS/PAPERWORK.
2. CONTACT THE NATIONAL ACCOUNT MANAGER.

POPEYES PROBLEM RESOLUTION NAMES & PHONE NUMBERS

NCCC PROJECT COORDINATOR:
NAME:
PHONE NUMBER:

NATIONAL ACCOUNT MANAGER:

POPEYES
NEW INSTALLS/NEW CONSTRUCTION MANAGER
EXISTING SITES/RENOVATION PROJECTS/FACILITIES MANAGER
LOSS PREVENTION DIRECTOR:

POPEYES INSTALLATION ACCEPTANCE FORM/CHECKLIST

FOR INSTALL SITE MODIFICATIONS IE DEVICE PLACEMENT CHANGES FROM BLUEPRINT, HAVE CUSTOMER INITIAL MODIFY PER SITE OPTION TO SHOW APPROVAL

CAMERAS

A-CAMERA: FOR LOCATIONS WITH OUTDOOR CAMERAS

OUTDOOR POLE MOUNT 15' ABOVE FINISHED PAVEMENT

YES _____ N/A _____ MODIFY PER SITE _____

GROUND ISOLATION TRANSFORMERS

YES _____ N/A _____ MODIFY PER SITE _____

ADD TO RUN CONDUIT INSIDE LIGHT POLES E-C TO RUN CONDUIT FROM RESTAURANT TO BASE OF LIGHT POLE & MOUNT. JUNCTION BOX 15' ABOVE FINISHED PAVEMENT ON POLE

YES _____ N/A _____ MODIFY PER SITE _____

A-1: DRIVE THRU WINDOW AND CAR STACK

YES _____ N/A _____ MODIFY PER SITE _____

A-2: SECONDARY, SINGLE ENTRY DOOR

YES _____ N/A _____ MODIFY PER SITE _____

A-3: MAIN DOUBLE ENTRY DOOR

YES _____ N/A _____ MODIFY PER SITE _____

A-4: REAR ENTRY DOOR

YES _____ N/A _____ MODIFY PER SITE _____

A-5: ORDER CONFIRMATION BOARD AT DRIVE THRU

YES _____ N/A _____ MODIFY PER SITE _____

B-CAMERA: FOR LOCATIONS WITH INDOOR CAMERAS INDOOR CEILING MOUNT IN TINTED DOME

YES _____ N/A _____ MODIFY PER SITE _____

FASTEN SCREW IN CEILING FOR DOMES SO NOT EASILY DROPPED OUT OF TILE

YES _____ N/A _____ MODIFY PER SITE _____

B-1: DINING ROOM AREA, H-COUNTER

YES _____ N/A _____ MODIFY PER SITE _____

B-2: DINING ROOM AREA, H-COUNTER

YES _____ N/A _____ MODIFY PER SITE _____

B-3: FRONT SALES COUNTER FROM DINING ROOM

YES _____ N/A _____ MODIFY PER SITE _____

B-4: CONDIMENT COUNTER, H-COUNTER AREA

YES _____ N/A _____ MODIFY PER SITE _____

B-5: FRONT SALES COUNTER FROM PRODUCTION COUNTER

YES _____ N/A _____ MODIFY PER SITE _____

B-6: DRIVE THRU

YES _____ N/A _____ MODIFY PER SITE _____

B-7: PREPARATION AREA TOWARDS REAR OF BUILDING

YES _____ N/A _____ MODIFY PER SITE _____

B-8: OFFICE

YES _____ N/A _____ MODIFY PER SITE _____

B-BATTER FRY AREA TOWARDS REAR OF BUILDING

YES _____ N/A _____ MODIFY PER SITE _____

B-10: REAR DOOR FROM STORAGE AREA

YES _____ N/A _____ MODIFY PER SITE _____

B-11: STORAGE AREA FROM REAR DOOR

YES _____ N/A _____ MODIFY PER SITE _____

B-12 & B-13: COOLER/FREEZER BOXES

YES _____ N/A _____ MODIFY PER SITE _____

OFFICE AREA

D-VCR LOCK BOX: TC3822 SERIES

YES _____ N/A _____ MODIFY PER SITE _____

E-VCR: LTC 3904 SERIES PLACE ON SECURITY LOCK FOR NO TAMPER

YES _____ N/A _____ MODIFY PER SITE _____

QUICK REFERENCE SHEETS

ALARM INSTRUCTION SHEET TO BE MOUNTED ON WALL IN EMPLOYEE ONLY AREA CLOSEST TO KEYPAD OR IN OFFICE AREA PER CUSTOMER INSTRUCTION

YES _____ N/A _____ MODIFY PER SITE _____

VCR INSTRUCTION SHEET (2) 1-REVIEW & 1-RECORD TO BE MOUNTED ON WALL CLOSEST TO VCR

YES _____ N/A _____ MODIFY PER SITE _____

FOR LOCATIONS WITH 6 OR MORE CAMERAS: ADD MULTIPLEXER

LTC 284180 PLACE ON SECURITY LOCK FOR NO TAMPER

YES _____ N/A _____ MODIFY PER SITE _____

FOR LOCATIONS WITH 4 CAMERAS OR LESS: ADD VIDQUAD 4 CHANNEL LTC 227280

YES _____ N/A _____ MODIFY PER SITE _____

HUB: HOLD UP BUTTON 441494 SERIES LATCHING HUB

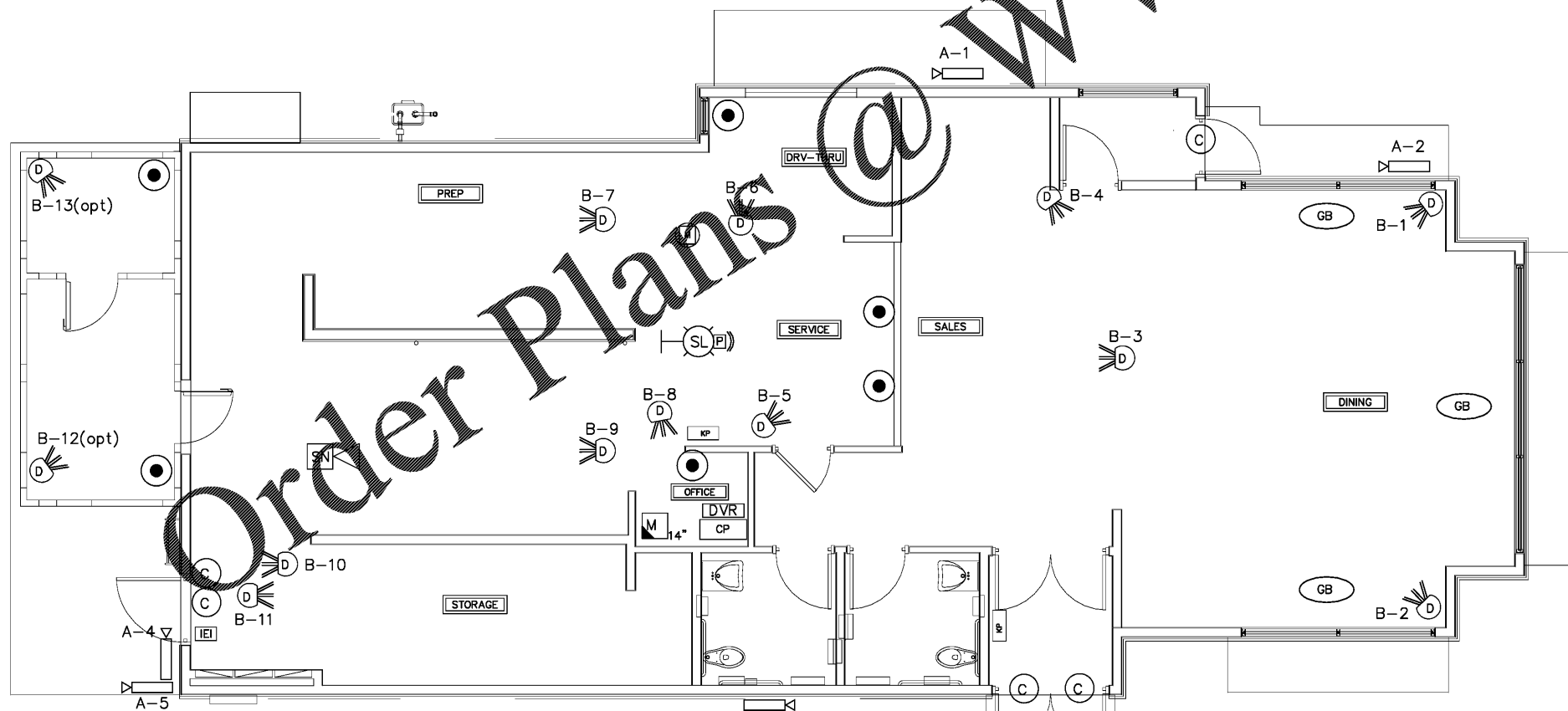
MANAGER AREA: 36" AFF OUT OF SITE FROM FRONT COUNTER

YES _____ N/A _____ MODIFY PER SITE _____

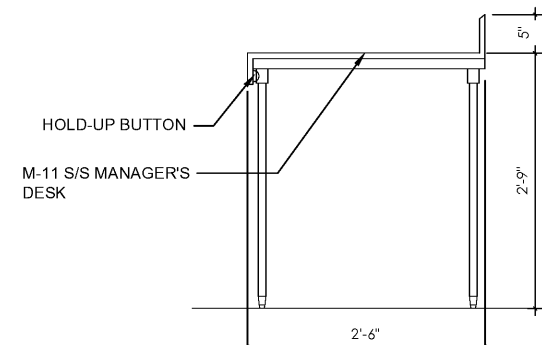
DRIVE-THRU WINDOW: 18" AFF & OUT OF SITE FROM OUTSIDE

YES _____ N/A _____ MODIFY PER SITE _____

DEVICE	SYMBOL	QTY.	DEVICE	SYMBOL	QTY.
DRIVE CONTACT	(C)	5	Dome	(D)	13
HOLD UP BUTTON	(H)	1	14" Monitor	(M)	1
CONTROL	(CP)	1	DIGITAL VIDEO RECORDER	(DVR)	1
	(KP)	2	IEI KEYPAD	(IEI)	1
MOTION DETECTOR (CEILING MOUNT)	(M)	1	EXTERIOR DOME CAMERA (Additional camera for dual drive-thru order design)	(D)	5
GLASS BREAK	(GB)	2	STROBE LIGHT	(SL)	1
HOLD UP BUTTON (Additional button for 2nd drive-thru window design)	(H)	6	PIEZO	(P)	1



1 SECURITY PLAN
SCALE: 1/4"=1'-0"



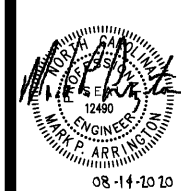
2 FRONT COUNTER PANIC
SCALE: 1/4"=1'-0"

VERIFY LOW VOLTAGE PERMIT REQUIREMENTS

ELECTRICAL REQUIREMENTS
ELECTRICAL SUPPLY ALL 120 VAC FOR CAMERA SYSTEM AND BURGLAR ALARM SYSTEM
SUPPLY 120 VAC FOR ALL CCTV HEAD END EQUIPMENT.
SUPPLY 120 VAC FOR BURGLAR ALARM PANEL.
FOR OUTDOOR CAMERAS ALL TRENCHING, CONDUIT AND PULL STRINGS, AS WELL AS A BACK BOX MOUNTED ON THE POLE FOR ELECTRICAL AND COAX CONNECTIONS.
SECURITY CO. SUPPLY AND INSTALL ALL SECURITY EQUIPMENT RUN ALL LOW VOLTAGE CABLE FOR THE SECURITY SYSTEM. SET UP, TEST AND TRAIN ON CCTV AND BURGLAR ALARM SYSTEMS. SPECIFY ALL LOCATIONS OF DEVICES.



POPEYES
LEBLON FRANCHISING HOLDINGS, LLC.
POPEYES'S
LOUISIANA KITCHEN
921 CONCORD PARKWAY SOUTH,
CONCORD, NC, 28027



08-14-2020
FOR CONSTRUCTION

If this document is sealed and signed in a digital or electronic format and is received from someone other than the sealing professional identified in the document, you must contact the sealing professional in writing to validate authenticity of the document. The sealing professional disclaims the seal and signature and shall not be liable for any liability associated with it where the authenticity of any digital or electronic seal or signature has not been validated in this manner.

ISSUANCE
PERMIT SUBMITTAL 08/14/2020

REVISIONS
NO. DATE DESCRIPTION

FILE NUMBER 86560010
PROJECT MANAGER RM
PROFESSIONAL MPA
DRAWN BY TLW
CHECKED BY RM

SECURITY PLAN