

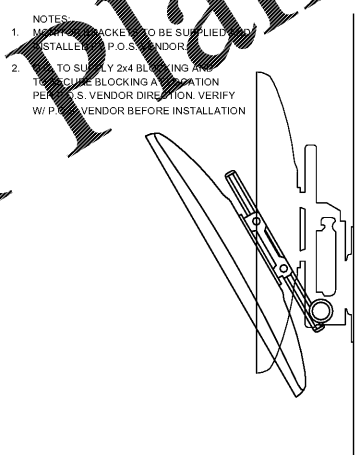
NOTE:
THE ARCHITECT AND ENGINEERS OF RECORD SHALL VERIFY AND COORDINATE, IF NECESSARY, THE REQUIREMENT THAT A PERMIT MAY BE NEEDED FOR THE LOGO TAG INSTALLATION IN THE RESTAURANT.

LEGEND

- BUMP BAR WIRING
- VIDEO MONITOR AND POS WIRING
- BB - BUMP BARS
- V1 = VIDEO 1
- V2 = VIDEO 2
- V3 = VIDEO 3
- DRIVE THRU DIRECTOR
- POS PIN PAD
- POS - POINT OF SALE TERMINAL

1 POS PLAN
SCALE: 1/4" = 1'-0"

- REGISTER CONNECTIONS**
- CABLES SHALL BE COAX.
 - BUMP BARS SHALL BE MOUNTED TO DELIVERY SYSTEM AT AREAS MARKED "BB".
 - BUMP BAR CABLES SHALL BE RUN THROUGH DELIVERY SYSTEM FROM MOUNT UP THROUGH WALLS ABOVE THE CEILING AND BACK TO THE MANAGER STATION.
 - REFER TO THE ELECTRICAL SHEET AND 13 FOR THE INSTALLATION OF J-BOXES.
 - CRT MONITORS SHALL BE MOUNTED ON CEILING BRACKETS PROVIDED BY REGISTER SYSTEM.
 - WHERE CONDUIT IS INSTALLED IN WALLS, IT SHALL BE ROUTED THROUGH WALL TO ABOVE ACCESSIBLE WIRING.



2 LCD INSTALLATION BY POS
SCALE: NOT TO SCALE

ARCHITECTURE ENGINEERING, P.C. SHALL RETAIN ALL COMMON LAW, STATUTORY AND OTHER RESERVED RIGHTS, INCLUDING THE COPYRIGHT THEREIN. PROGRESSIVE ARCHITECTURE ENGINEERING, P.C. SHALL RETAIN ALL COMMON LAW, STATUTORY AND OTHER RESERVED RIGHTS, INCLUDING THE COPYRIGHT THEREIN.

WWW.LDILINE.COM

PROGRESSIVE | ae
PROGRESSIVE ARCHITECTURE ENGINEERING, P.C.
330 South Tryon St Suite 500 | Charlotte, NC 28202 | 704.731.8800 | www.progressiveae.com

LOUISIANA ARCHITECTS

POPEYE'S

LEBLON FRANCHISING HOLDINGS, L.L.C.
POPEYE'S
LOUISIANA KITCHEN
921 CONCORD PARKWAY SOUTH
CONCORD, NC, 28027

FOR CONSTRUCTION

ISSUANCE
PERMIT SUBMITTAL 08/14/2020

NO.	DATE	DESCRIPTION
△		

FILE NUMBER 86560010
PROJECT MANAGER RM
PROFESSIONAL MPA
DRAWN BY TLW
CHECKED BY RM

POS PLAN
E8