



LEBLON FRANCHISING HOLDINGS, L.L.C.
POPEYE'S
 LOUISIANA KITCHEN
 921 CONCORD PARKWAY SOUTH
 CONCORD, NC, 28027



08-14-2010
FOR CONSTRUCTION

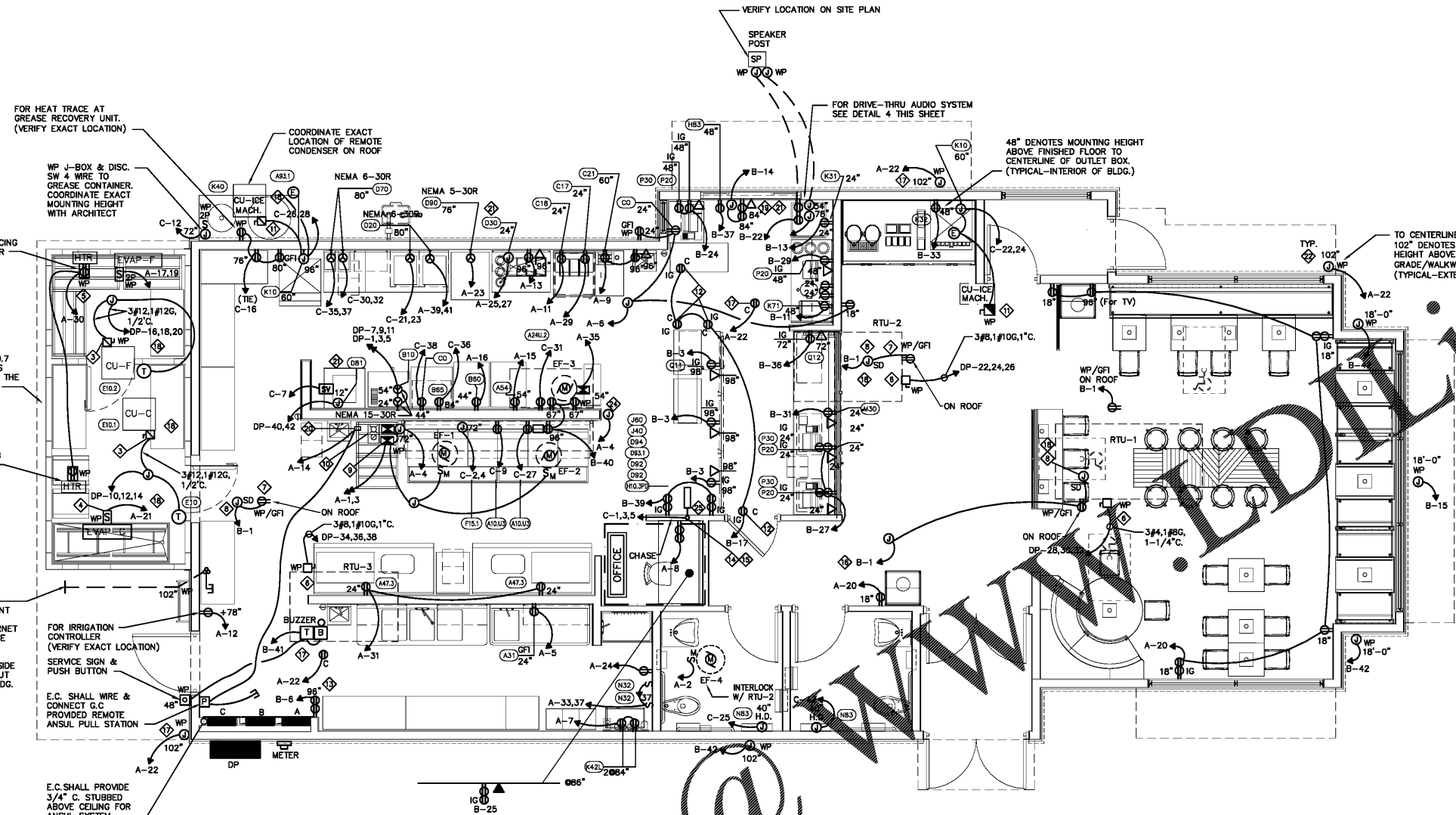
If this document is sealed and signed in a digital or electronic format and is received from someone other than the sealing professional identified in the document, you must contact the sealing professional in writing to validate the authenticity of the document. The sealing professional disclaims the seal and signature and shall not be liable for any liability associated with it where the authenticity of any digital or electronic seal or signature has not been validated in this manner.

ISSUANCE
 PERMIT SUBMITTAL 08/14/2010

REVISIONS
 NO. DATE DESCRIPTION

FILE NUMBER 86560010
 PROJECT MANAGER RM
 PROFESSIONAL MPA
 DRAWN BY TLW
 CHECKED BY RM

ELECTRICAL POWER FLOOR PLAN



ELECTRICAL POWER PLAN AND DETAILS
 SCALE: 1/4"=1'-0"

NOTE:
 REFER TO ARCHITECTURAL ELEVATIONS FOR EXACT DIMENSIONED LOCATIONS FOR ALL WALL OUTLETS

POWER PLAN KEY NOTES

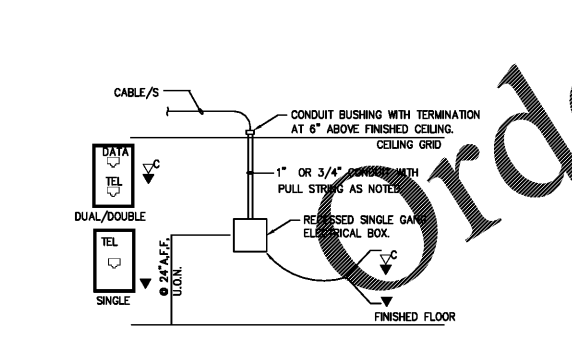
- ◆ REFER TO FOOD SERVICE DRAWING KEYNOTES FOR TAG LOCATIONS AND MOUNTING HEIGHTS NOT SHOWN ON THIS SHEET.
- ◆ REFER TO HVAC DRG. MFR FOR EXACT LOCATIONS FOR MECHANICAL HVAC EQUIPMENT.
- ◆ JP20A NEMA 3R NON-FUSED DISC SW. ON ROOF. UNIT LOCATED ON ROOF OF UNIT. SEE PER EQUIPMENT NAMEPLATE. LIQUID TIGHT FLEX CONNECTION.
- ◆ FINISH POWER CONNECTION TO WALK-IN COOLER EVAPORATOR. PROVIDE MOUNTING SWITCH IN CAST BOX.
- ◆ MAKE FINAL POWER CONNECTION TO WALK-IN FREEZER FREEZER VAP., DEFROSTER, HEAT TAPE & DOOR HEATER.
- ◆ PROVIDE LOCAL JP20A NEMA 3R NON-FUSED DISC SW. ON A/C RTU'S LOCATED ON ROOF EQUIP. NAMEPLATE. PROVIDE LIQUID TIGHT FLEX CONN. TO UNIT.
- ◆ PROVIDE GFCI PROTECTED 5-20R DUPLEX RECEPT. INSTALLED IN WP BOX W/ WP COVER AT RTU. (TYP.)
- ◆ PROVIDE 120V WIRING TO DUCT MOUNTED SMOKE DETECTORS AND REMOTE TEST INDICATORS. FOR EXACT LOCATIONS OF DUCT DETECTORS, REMOTE INDICATORS & TEST SW'S. (SEE HVAC PLANS).
- ◆ E.C. SHALL INSTALL AND WIRE RELAY CONTROL PANEL PACKAGE FOR HOOD EXHAUST FANS EF-1 AND EF-2. PROVIDE POWER AND INTERLOCK CONTROL WIRING FOR HP-F CONTROL PANEL AND HOOD FIRE SUPPRESSION SYSTEM. SEE HOOD FAN CONTROL INTERLOCK WIRING DIAGRAM. SHEET M2. MOUNT STARTERS AND CONTROLS ON WALL.
- ◆ "ON/OFF" SELECTOR SWITCH AND PILOT LIGHT IN NEMA 4X STAINLESS STEEL ENCLOSURE MOUNTED ON THE FACE OF THE HOOD. PROVIDED BY HOOD MFR.
- ◆ PROVIDE 2P30A NEMA 3R FUSED DISC SWITCH & L.T. FLEX CONNECTION TO ROOF MTD ICE MAKER COND UNIT, FUSE SIZE PER MFG'S NAMEPLATE DATA.
- ◆ PROVIDE WALL OUTLET 108" AFF W/ ISOLATED GROUND RECEPTABLES FOR VIDEO MONITOR/PRINTER & OR HEADSET. VERIFY EXACT REQUIREMENTS & LOCATION.
- ◆ PROVIDE 3/4" x 18" H x 24" W PLYWOOD TELEPHONE BOARD PAINTED WITH 2 COATS OF "LISTED" FIRE RETARDANT LIGHT GRAY COLOR PAINT. AT 96" A.F.F. PROVIDE QUAD RECEPTABLE ADJACENT TO BOARD. PROVIDE # 5 CU. GROUND TO SERVICE ENTRANCE GROUND, SEE DETAIL ARCHITECTURAL ELEVATIONS.
- ◆ PROVIDE ELECTRICAL CONDUIT THROUGH WALL FROM CEILING TO 18" AFF FOR THE PRODUCTION COUNTER. REFER TO HIGH OUTPUT PRODUCTION COUNTER LOAD CENTER SCHEDULE BELOW FOR BRANCH CIRCUIT REQUIREMENTS.
- ◆ PRODUCTION COUNTER ELECTRICAL POWER CIRCUITS: CONFORM WITH EQUIPMENT SUPPLIER SHOP DRAWINGS FOR EXACT LOCATIONS AND TYPE OF CONNECTIONS FOR EQUIPMENT AND HEAT LIGHTS IN/ON PRODUCTION COUNTER.
- ◆ BRANCH CIRCUIT(S) CONTINUED TO ADDITIONAL OUTLETS, HOMERUN SHOWN FOR CLARITY ONLY.
- ◆ CONNECTION FOR SECURITY CAMERA. VERIFY EXACT LOCATIONS AND TYPE CONNECTIONS FOR INDOOR AND OUTDOOR CAMERAS WITH G.C.
- ◆ ROUTE ALL CONDUIT ROOF PENETRATIONS THRU (WITH-IN) ROOF CURBS FOR THE EQUIPMENT. REFER TO MECH. PLANS FOR CURB DETAILS. (TYPICAL)
- ◆ PROVIDE 1" CONDUIT TO 6" ABOVE CEILING FOR DATA CABLE.
- ◆ HOOD ANSUL FIRE SUPPRESSION SYSTEM.
- ◆ MAKE FINAL CONNECTION TO EQUIPMENT.
- ◆ COORDINATE EXTERIOR CAMERA LOCATIONS WITH INSTALLED AWNINGS TO AVOID OBSTRUCTED VIEWS.
- ◆ SEE HIGH OUTPUT PRODUCTION LOAD CENTER FOR SPECIFIC LOADS OF C-1,3,5.
- ◆ JUNCTION BOX FOR HOOD LIGHTS AND CONTROLS.
- ◆ HIGH OUTPUT PRODUCTION COUNTER LOAD CENTER BY COUNTER MANUFACTURER. TO AVOID OBSTRUCTED VIEWS.

HIGH OUTPUT PRODUCTION COUNTER
 THREE PHASE LOAD PANEL- 120-208V 60HZ

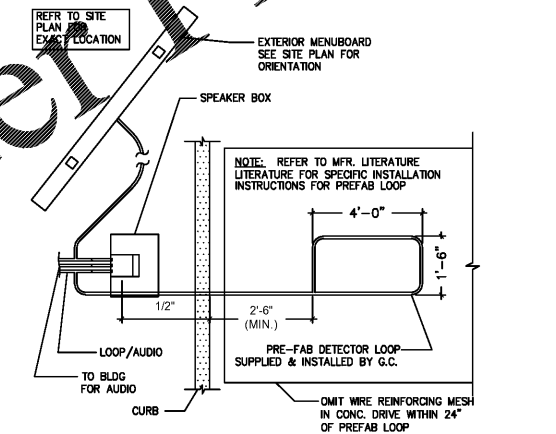
CIRCUIT	QTY	PART	VOLTS	PH	AMPS	L1	L2	L3
* 1	1	HOLDING CABINET DHB-P1A (D92)	208	1	13.87	13.87		13.87
* 2	1	HOLDING CABINET DHB-P1A (D92)	208	1	13.87	13.87		13.87
* 3	1	UNDER COUNTER REFRIG. RECEPTACLE (J40)	120	1	6.35	6.35		
* 4	1	HOLDING CABINET DHB-3PT-41 (D84)	208	1	23.7		23.7	23.7
5	1	CERAMIC HEAT LAMP (J60)	120	1	5.1		5.1	
* 6	1	HOLDING CABINET DHB2PT-60P (D83.1)	208	3	28	28	28	28
			TOTAL			60.09	68.67	63.57

MINIMUM CIRCUIT AMPACITY: 85.8
 MAXIMUM OVER CIRCUIT PROTECTION: 100
 * PROVIDE GFCI TYPE CIRCUIT BREAKER.

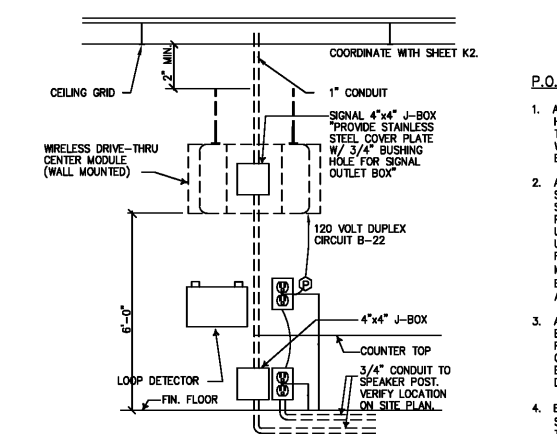
2 TYP. COMM. STUB UP DETAIL
 SCALE: NOT TO SCALE



3 DRIVE THRU DETECTOR LOOP
 SCALE: NOT TO SCALE



4 DRIVE THRU AUDIO TIMERS
 SCALE: NOT TO SCALE



P.O.S. NOTES:

1. ALL P.O.S. (POINT OF SALE) CIRCUITS SHALL HAVE AN ISOLATED GROUND WIRE BACK TO THE PANEL. ALL P.O.S. EQUIP. SHALL BE WIRING INDEPENDENTLY OF ANY NON-P.O.S. EQUIPMENT.
2. ALL RECEPTABLES FOR P.O.S. EQUIPMENT SHALL BE ISOLATED GROUND WITH SURGE SUPPRESSOR TYPE. ALL RECEPTABLES FOR P.O.S. EQUIPMENT SHALL BE SINGLE UNIT, UNLESS A DUPLEX RECEPTABLE CAN BE USED TO SUPPLY TWO P.O.S. UNITS. DUPLEX RECEPTABLES MAY BE USED IN THE MANAGER'S OFFICE FOR NON-P.O.S. EQUIPMENT (COMPUTER, MUSIC, FIRE ALARM, SECURITY, ETC.).
3. ALL CIRCUITS FOR P.O.S. EQUIPMENT SHALL BE CONNECTED TO THE SAME PHASE OF POWER IN THE PANEL. ALL BRANCH CIRCUIT BREAKERS SUPPLYING P.O.S. EQUIPMENT SHALL HAVE LOCKING HANDLES DEVICES.
4. EACH RECEPTACLE TYPE (LOCKING OR STRAIGHT BLADE) SHALL MATCH THAT OF THE EQUIPMENT FURNISHED. WHERE P.O.S. EQUIPMENT IS FURNISHED WITHOUT A PLUG THE RECEPTACLE SHALL BE LOCKING TYPE. COORDINATE RECEPTACLE TYPES WITH THE P.O.S. EQUIPMENT SUPPLIER.

GENERAL NOTES:

- A. VERIFY MOUNTING HEIGHTS OF ALL RECEPTABLES WITH EQUIPMENT SUPPLIED PRIOR TO INSTALLATION.
- B. ALL EQUIPMENT ELECTRICAL OUTLETS ARE DIMENSIONED TO CENTERLINE OF BOX FROM ABOVE FINISHED FLOOR.
- C. ELECTRICAL CONTRACTOR TO PROVIDE CORD & PLUG CONNECTIONS FOR EQUIPMENT AS REQUIRED.
- D. ALL SINGLE PHASE RECEPTABLES RATED 150V TO GROUND OR LESS, 50 AMPS OR LESS IN THE KITCHEN, FOOD PREP AREAS AND WITHIN 6 FEET OF THE EDGE OF A SINK SHALL BE GFCI PROTECTED. GFCI DEVICES SHALL BE LOCATED AS TO BE READILY ACCESSIBLE.
- E. BEFORE PHONE IS INSTALLED, THE FOLLOWING NEEDS TO BE IN PLACE:
 E.A. CONDUIT AND PULL STRING
 E.B. BACK BOARD - GROUNDED ON FIRE RETARDANT WALL.
- F. KVS 3 ON BACK LINE NEEDS TO BE A POLE MOUNT.
- G. PROVIDE "UP" OUTLET AT ROOFTOP EQUIPMENT.

ARCHITECTURE ENGINEERING, P.C. SHALL RETAIN ALL COMMON LAW, STATUTORY AND OTHER RESERVED RIGHTS, INCLUDING THE COPYRIGHT THEREIN. PROGRESSIVE ARCHITECTURE ENGINEERING, P.C. SHALL RETAIN ALL COMMON LAW, STATUTORY AND OTHER RESERVED RIGHTS, INCLUDING THE COPYRIGHT THEREIN.