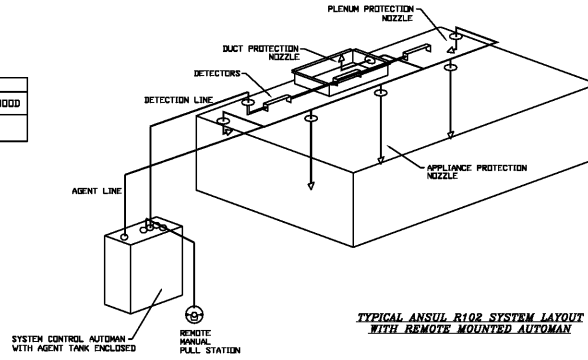


Fire System Information - Job#2561558

FIRE SYSTEM NO.	TAG	TYPE	SIZE	FLOW POINTS	INSTALLATION	
					SYSTEM	LOCATION ON HOOD
1		Ansul R102	3.0/3.0/3.0	28	Wall Mount Left	N/A

M.S. VALVE(S)

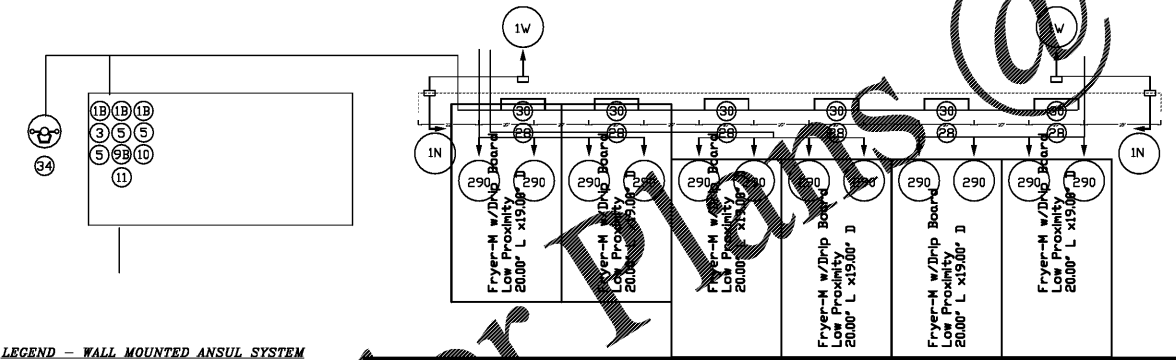
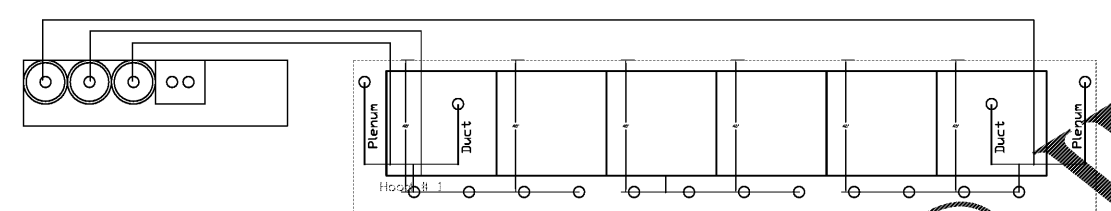
FIRE SYSTEM NO.	TAG	TYPE	SIZE	SUPPLIED BY
1		Mechanical	1.250	Captive/Aire Systems



TYPICAL ANSUL R102 SYSTEM LAYOUT WITH REMOTE MOUNTED AUTOMAN

Fire System Parts List Key

FIRE SYSTEM NO.	TAG	KEY NUMBER - PART DESCRIPTION	QTY. BY FACTORY	QTY. BY DIST.
0	0	43-15733 AIR CYLINDER ASSEMBLY - Air Cylinder and Tubing for Mechanical Gas Valves (Ansul)	1	0
0	0	METAL CAP-CB BLOWOFF CAP - Metal	16	0
1	1	AT - 30 TANK(181) - 30 Gallon SS Tank (For use with Automan Release, Actuator, or SS Enclosure (UL/ULC))	3	0
3	3	ANS-DEM REGULATED RELEASE - Ansul Regulated Mechanical Release/Bracket Assembly (794930), DEM, R-102; Cartridge Detection Included	1	0
5	5	L10-30 AGENT - Ansulex Low PH Wet Chemical Agent, 3 Gallon (UL) 79372	0	3
9	9	DT-CART Double Tank Nitrogen Cartridge	0	1
10	10	TLINK LINK - Test Link (1 test link)	0	1
11	11	MICRO-SBA MICROSWITCH KIT - Includes 2 switches and Mounting Hardware. Single Dual Electric Switch, One Standard Switch, One Alarm Duty Switch 437155	1	0
12	12	HOSE HOSE - Rubber Hose	2	0
14	14	419336 NOZZLE - 1/4" Nozzle, Duct/Appliance (Replaces ANSUL Part# 419347, CAS Part# 419336) A0001266	2	0
16	16	419335 NOZZLE - 1/2" Nozzle, Plenum/Appliance (Replaces ANSUL Part# 419346, CAS Part# 419335) A0001265	2	0
23	23	419342 NOZZLE - 2/80 Nozzle, Appliance (Replaces ANSUL Part# 419353, CAS Part# 419342) A0001272	12	0
26	26	QSA-3/8 QUIK SEAL - 3/8" (UL)	4	0
27	27	QPSA-1/2 PULLEY SEAL - 1/2" Hood Seal (UL)	1	0
28	28	S-BET DETECTOR - Series (Scissor Linkage) NEW435547/435548 (ULB#417369/434480)	6	0
30	30	ANS-500FL FUSIBLE LINK - 500deg F, R-102 and PIRANHA	6	0
34	34	RPS-A REMOTE PULL STATION - Red composite (without wire rope) 434618 (Old Model# 805-4620)	1	0
35	35	PE-LT PULLEY ELBOW - Low Temp. Pulley Elbow, Set Screw Type ANSUL Part #415676	0	10
36	36	PE-HT PULLEY ELBOW - High Temp Pulley Elbow, Compression Type	1	0



LEGEND - WALL MOUNTED ANSUL SYSTEM

- 1A 1.5 GALLON TANK
- 1B 3.0 GALLON TANK
- 2 AUTOMAN RELEASE
- 3 3 GALLON TANK ENCLOSURE
- 3A 6 GALLON TANK ENCLOSURE
- 4 REGULATED ACTUATOR
- 5 ANSULEX LIQUID AGENT (1.5)
- 6 ANSULEX LIQUID AGENT (3)
- 7 CARTRIDGE (101-28)
- 8 CARTRIDGE (101-30)
- 9 CARTRIDGE (101-30)
- 9A CARTRIDGE (1-A-30)
- 9B DOUBLE TANK CARTRIDGE
- 10 TEST LINK
- 11 DOUBLE MICROSWITCH
- 12 DUCT NOZZLE (419337)
- 1W NOZZLE ASSEMBLY (419336)
- 1F NOZZLE ASSEMBLY (419333)
- 1N NOZZLE ASSEMBLY (419335)
- 1/2N NOZZLE ASSEMBLY (419334)
- 3N NOZZLE ASSEMBLY (419338)
- 245 NOZZLE ASSEMBLY (419340)
- 230 NOZZLE ASSEMBLY (419339)
- 2120 NOZZLE ASSEMBLY (419343)
- 290 NOZZLE ASSEMBLY (419342)
- 260 NOZZLE ASSEMBLY (419341)
- 28 DETECTOR BRACKET
- 29 LOW TEMP FUSIBLE LINK
- 30 HIGH TEMP FUSIBLE LINK
- MGV MECHANICAL GAS VALVE
- EGV ELECTRICAL GAS VALVE
- 34 REMOTE MANUAL PULL STATION
- S SWIVEL ADAPTOR

NOTES

- 1. FIELD WIRE DROPS AS SHOWN
- 2. ELBOWS, TEES, AND NOZZLES SUPPLIED BY CAS
- 3. PRE-PIPED NOZZLES IF FLOW PATTERN IS BLOCKED BY SHELVING, SHROUDERS, ETC.
- 4. MAXIMUM 9 ELBOWS IN SUPPLY LINE.
- 5. MINIMUM 72 INCHES OF AGENT LINE FROM TANK TO FIRST NOZZLE.
- 6. IF APPLICABLE, PRE-PIPED CHARBROILER DROPS ARE SHIPPED LOOSE.
- 7. FACTORY PIPING EXTENDS A MAXIMUM OF 6' ABOVE THE TOP OF THE HOOD.
- 8. APPLIANCE DIMENSIONS LISTED REPRESENT THE COOKING SURFACE SIZE, NOT THE OVERALL APPLIANCE SIZE.
- 9. THIS FIRE SYSTEM COMPLIES WITH UL 300 REQUIREMENTS

Job #: _____
 Drawn By: _____
 System Size: ANSUL-3.0/3.0/3.0-WC Total FP required: 28
 Hood # 1 Size: 3'00" Long x 28" Wide x 12" High
 Riser # 1 Size: 7" x 10"
 Riser # 2 Size: 7" x 10"
 Hood # 1 Metal Blow-Off Caps Included.

EXHAUST FAN INFORMATION - Job#2561558

FAN UNIT NO.	TAG	FAN UNIT MODEL #	CFM	ESP.	RPM	HP.	B.H.P.	#	VOLT	FLA	WEIGHT (LBS.)	SONES
1		DUBSHFA	935	1.250	1221	0.750	0.3390	1	115	9.8	76	12.7
2		DUBSHFA	935	1.250	1221	0.750	0.3390	1	115	9.8	76	12.7

FAN OPTIONS

FAN UNIT NO.	TAG	OPTION (Qty. - Descr.)
1		1 - Grease Box
2		1 - Grease Box

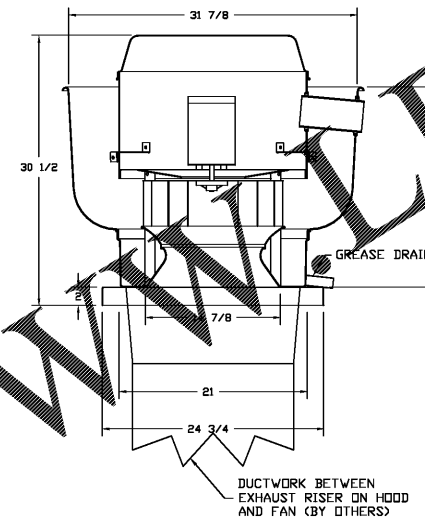
FAN ACCESSORIES

FAN UNIT NO.	TAG	EXHAUST			SUPPLY			
		GREASE CUP	GRAVITY DAMPER	WALL MOUNT	SIDE DISCHARGE	GRAVITY DAMPER	METORIZED DAMPER	WALL MOUNT
1		YES						
2		YES						

CURB ASSEMBLIES

NO.	ON FAN	WEIGHT	ITEM	SIZE
1	# 1	36 LBS	Curb	23.000"W x 23.000"L x 20.000"H Vented Hinged
2	# 2	36 LBS	Curb	23.000"W x 23.000"L x 20.000"H Vented Hinged

FANS #1, #2 - DUBSHFA EXHAUST FAN



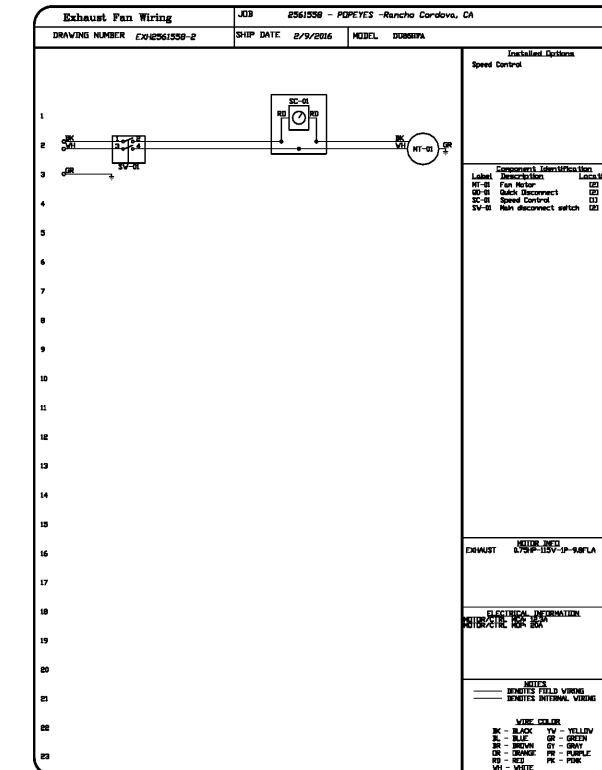
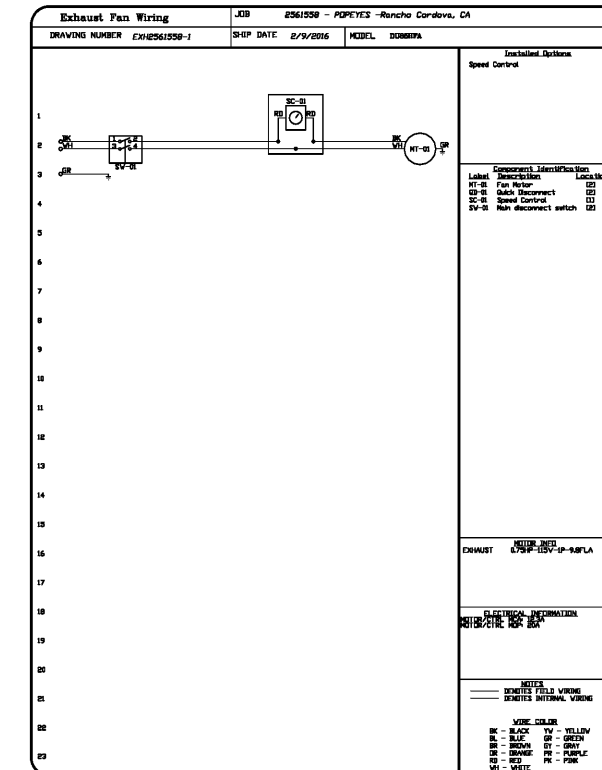
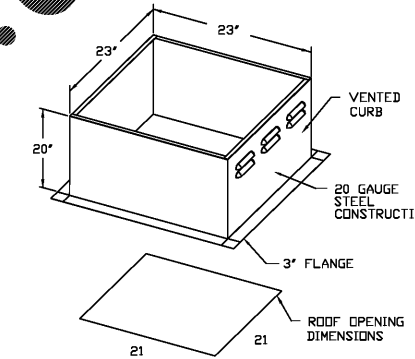
FEATURES:

- ROOF MOUNTED FANS
- RESTAURANT MODEL
- 230V AND 208V
- VARIABLE SPEED CONTROL
- INTERNAL WIRING
- WEAR PROOF DISCONNECT
- THERMAL OVERLOAD PROTECTION (SINGLE PHASE)
- HIGH TEMPERATURE OPERATION 300°F (149°C)
- GREASE CLASSIFICATION TESTING
- NORMAL TEMPERATURE TEST
- EXHAUST FAN MUST OPERATE CONTINUOUSLY WHILE EXHAUSTING AIR AT 300°F (149°C) UNTIL ALL FAN PARTS HAVE REACHED THERMAL EQUILIBRIUM, AND WITHOUT ANY DETERIORATING EFFECTS TO THE FAN WHICH WOULD CAUSE UNSAFE OPERATION.
- ABNORMAL FLARE-UP TEST
- EXHAUST FAN MUST OPERATE CONTINUOUSLY WHILE EXHAUSTING BURNING GREASE VAPORS AT 600°F (316°C) FOR A PERIOD OF 15 MINUTES WITHOUT THE FAN BECOMING DAMAGED TO ANY EXTENT THAT COULD CAUSE AN UNSAFE CONDITION.

OPTIONS

GREASE BOX

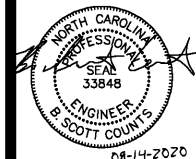
PER SECTION 506.3.13 OF THE NC MECHANICAL CODE:
 -EXHAUST OUTLETS SHALL TERMINATE NOT LESS THAN 40 IN. ABOVE THE ROOF SURFACE.
 -EXHAUST OUTLETS SHALL BE LOCATED NOT LESS THAN 10 FT. HORIZONTALLY FROM PARTS OF THE SAME CONTIGUOUS BUILDING OR ADJACENT BUILDING UNLESS AIR FROM THE OUTLET DISCHARGES AWAY FROM SUCH LOCATIONS.
 -EXHAUST OUTLETS SHALL BE LOCATED NOT LESS THAN 10 FT. HORIZONTALLY FROM OR NOT LESS THAN 3 FEET ABOVE ANY OPENINGS INTO ANY BUILDING.



ARCHITECTURE ENGINEERING, P.C. SHALL RETAIN ALL COMMON LAW, STATUTORY AND OTHER RESERVED RIGHTS, INCLUDING THE COPYRIGHT THEREIN. SHALL RETAIN ALL COMMON LAW, STATUTORY AND OTHER RESERVED RIGHTS, INCLUDING THE COPYRIGHT THEREIN.



POPEYES
 LOUISIANA KITCHEN
 921 CONCORD PARKWAY SOUTH
 CONCORD, NC, 28027



FOR CONSTRUCTION

If this document is sealed and signed in a digital or electronic form and is received from someone other than the sealing professional identified in the document, you must contact the sealing professional in writing to validate authenticity of the document. The sealing professional disclaims the seal and signature and shall not be liable for any liability associated with it where the authenticity of any digital or electronic seal or signature has not been validated in this manner.

ISSUANCE
 PERMIT SUBMITTAL 08/14/2020

REVISIONS
 NO. DATE DESCRIPTION

FILE NUMBER 86560010
 PROJECT MANAGER BSC
 PROFESSIONAL BSC
 DRAWN BY JSC
 CHECKED BY BSC

CAPTIVE AIRE DETAILS
M7

progressive
 PROGRESSIVE ARCHITECTURE ENGINEERING, P.C.
 330 South Tryon St Suite 500 | Charlotte, NC 28202 | 704.731.8800 | www.progressiveae.com