

ELECTRICAL CONTRACTOR NOTES:

- RUN ONE (1) CONDUCTOR 18 GAUGE THERMOSTAT CABLE FROM THE ROOFTOP AIR CONDITIONING UNIT TO THE UNOCCUPIED/OCCUPIED PANEL.
- RUN ONE (1) CONDUCTOR 18 GAUGE THERMOSTAT CABLE FROM THE UNOCCUPIED/OCCUPIED PANEL TO THE THERMOSTAT LOCATION.
- RUN ONE (1) CONDUCTOR 18 GAUGE THERMOSTAT CABLE FROM THE ROOFTOP AIR CONDITIONING UNIT TO THE NIGHT SETBACK THERMOSTAT LOCATION, IF NOT CONTROLLED WITH P-314-2700 1 STAT. REFER TO SHEET M-1.
- TERMINATION OF ALL 24 VOLT AIR CONDITIONING CONTROL WIRING SHALL BE DONE BY THE MECHANICAL CONTRACTOR.
- ELECTRICAL CONTRACTOR SHALL RUN LINE VOLTAGE FROM THE CURRENT SENSOR LOCATED IN THE BROILER HOOD EXHAUST FAN TO THE CONTACTOR PANEL LOCATED BY THE SWITCHGEAR.

"MORNING ARRIVAL"

STEP 1

TURN THE KITCHEN UNOCCUPIED-OCCUPIED SWITCH TO THE UNOCCUPIED POSITION. THE KITCHEN AIR CONDITIONING SYSTEM WILL GO FROM NIGHT SETBACK MODE TO THE THERMOSTAT SET POINT.

NOTE: THE AIR CONDITIONING FAN WILL START AND RUN CONTINUOUSLY. EXHAUST FAN WILL NOT RUN UNTIL THIS SWITCH IS IN THE OCCUPIED POSITION.

STEP 2

TURN ON THE EXHAUST FAN SWITCH TO THE ON POSITION THIS WILL ALLOW YOU TO TURN ON THE FRYERS.

"RESTAURANT OPEN FOR BUSINESS"

STEP 1

TURN THE DINING UNOCCUPIED-OCCUPIED SWITCH TO THE OCCUPIED POSITION. THE DINING AIR CONDITIONING SYSTEM WILL GO FROM NIGHT SETBACK MODE TO THE THERMOSTAT SET POINT.

STEP 2

TURN THE SIGN AND PARKING LOT LIGHTING SWITCHES TO THE AUTO POSITION. THIS WILL ENGAGE THE LIGHTING PHOTOCELLS SO THAT THE LIGHTS WILL AUTOMATICALLY COME ON AFTER DARK. TURN THE SWITCH TO THE ON POSITION TO OVERRIDE THE PHOTOCELLS AT ANY TIME THE LIGHTING MUST REMAIN ON.

"RESTAURANT CLOSE FOR BUSINESS"

STEP 1

TURN THE DINING UNOCCUPIED-OCCUPIED SWITCH TO THE UNOCCUPIED POSITION. THE DINING AIR CONDITIONING SYSTEM WILL GO FROM THE THERMOSTAT SET POINT TO THE NIGHT SET BACK MODE.

STEP 2

TURN THE SIGN AND PARKING LOT LIGHTING SWITCHES TO THE OFF POSITION. THIS WILL DISENGAGE THE LIGHTING PHOTOCELLS.

STEP 3

TURN THE EXHAUST FAN SWITCH TO THE OFF POSITION. THE UNDER HOOD COOKING EQUIPMENT WILL TURN OFF AND THE EXHAUST FAN WILL CONTINUE TO RUN FOR 15 MINUTES FOR A COOL DOWN CYCLE, AND THEN SHUT OFF AUTOMATICALLY.

NOTE: TO PREVENT ACCIDENTAL ANSUL DISCHARGE, ONE OF THE HOODS EXHAUST FANS WILL RUN 15 MINUTES AFTER THE EXHAUST FAN SWITCH IS TURNED TO THE OFF POSITION.

"EMPLOYEES LEAVING THE BUILDING"

STEP 1

WHEN READY TO EXIT THE BUILDING PUSH THE SECURITY DEPARTURES SWITCH. THE PARKING LOT LIGHTS WILL COME BACK ON FOR 15 MINUTES THEN SHUT OFF AUTOMATICALLY.

"MANAGER/LAST PERSON LEAVING THE BUILDING"

STEP 1

TURN THE KITCHEN UNOCCUPIED-OCCUPIED SWITCH TO THE UNOCCUPIED POSITION. THE KITCHEN AIR CONDITIONING SYSTEM WILL GO FROM THE THERMOSTAT SET POINT TO THE NIGHT SET BACK MODE.

STEP 2

WHEN READY TO EXIT THE BUILDING PUSH THE SECURITY DEPARTURE SWITCH. THE PARKING LOT LIGHTS WILL COME BACK ON FOR 15 MINUTES THEN SHUT OFF AUTOMATICALLY.

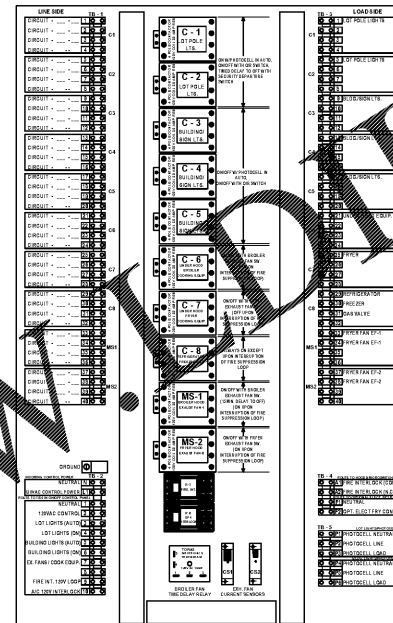
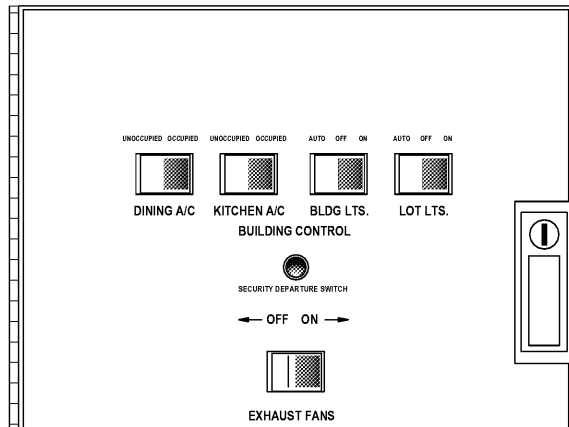
"HOOD VENTILATION SYSTEM NOTE"

WHEN THE HOOD EXHAUST FAN CURRENT SENSOR DETECTS A DROP IN AMPERAGE (SUCH AS A BELT BREAKING) IT WILL CHANGE THE LINE VOLTAGE TO THE NIGHT SETBACK MODE. THE FAN SHOULD BE CHECKED AND REPAIRED BEFORE TURNING THE SWITCH TO THE ON POSITION.

"PARKING LOT LIGHTING NOTE"

WHEN THE PARKING LOT LIGHTS ARE TURNED OFF THEY WILL COOL DOWN FOR ABOUT 15 MINUTES BEFORE THEY WILL COME BACK ON.

NOTE: Current sensors are factory wired but must be adjusted for proper operation. With the hood exhaust fans running, spin the potentiometer dial counter-clockwise until the status "OFF" green LED lights and cooking equipment contactors de-energize. Then turn dial back clockwise one full turn. If the current sensors are improperly adjusted, cooking equipment may not shut off should a hood exhaust fan fail. If the cooking equipment fails to operate while the hood switches are on and the exhaust fans are running, spin the appropriate setpoint dial clockwise until the status "ON" red LED lights.



POPEYES SEQUENCE OF OPERATION

MANUAL CONTROL SYSTEM

THE AC UNITS UNOCCUPIED-OCCUPIED SWITCH IS USED TO TURN THE STORES AIR CONDITIONING ON DURING THE MORNING AND OFF DURING THE EVENING. WHEN AN AC UNIT UNOCCUPIED-OCCUPIED SWITCH IS TURNED TO THE UNOCCUPIED POSITION, THE AIR CONDITIONING SYSTEM WILL GO FROM NIGHT MODE TO SYSTEM. THE AIR CONDITIONING FANS WILL START AND RUN CONTINUOUSLY. THE OUTDOOR DAMPERS WILL OPEN TO A RESET POSITION. ALL DAMPERS WILL NOT OPEN DURING NIGHT SETBACK MODE (OPTIONAL). THE AIR CONDITIONING WILL BEGIN TO COOL DOWN TO THE OCCUPIED TEMPERATURE SETPOINT. THE COOKING EQUIPMENT AND EXHAUST FANS CAN NOW BE TURNED ON WHEN NEEDED. WHEN AN OCCUPIED-OCCUPIED SWITCH IS TURNED TO THE OFF POSITION, THE EXHAUST FAN, SUPPLY FANS, AND EVAPORATOR BLOWERS WILL SHUT DOWN. THE HOOD VENTILATION OPERATION SHALL REVERT TO SYSTEM NIGHT SETBACK MODE. THE COOKING EQUIPMENT SHALL BE DISABLED. SIGNAGE LIGHTING & LOT LIGHTING SHALL BE DISABLED IF SWITCHES ARE IN THE OFF POSITION. PARKING LOT POLE LIGHTS & SECURITY LIGHTS SHALL REMAIN ON FOR 15 MIN AFTER THE SECURITY DEPARTURE SWITCH IS ACTIVATED. WHEN THE HOOD EXHAUST FAN CURRENT SENSOR DETECTS A DROP IN AMPERAGE, IT WILL DISABLE THE LINE VOLTAGE TO THE COOKING EQUIPMENT UNDER THE HOOD.

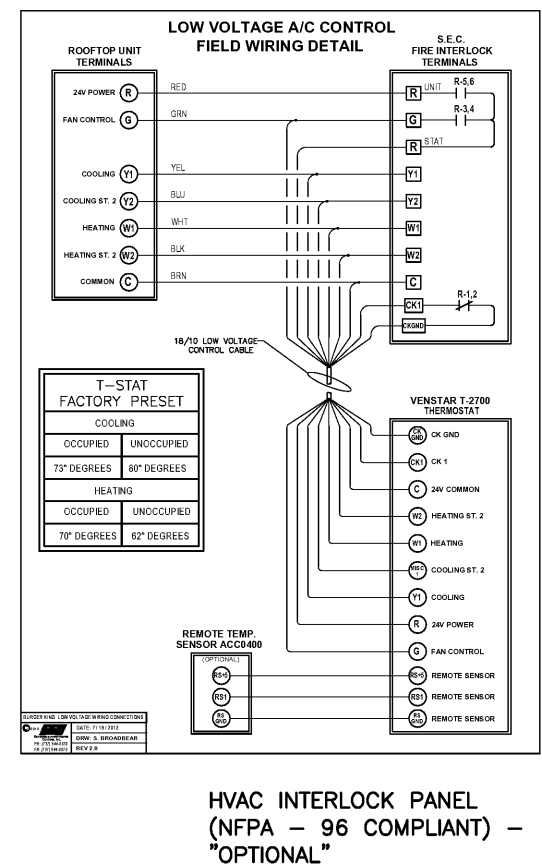
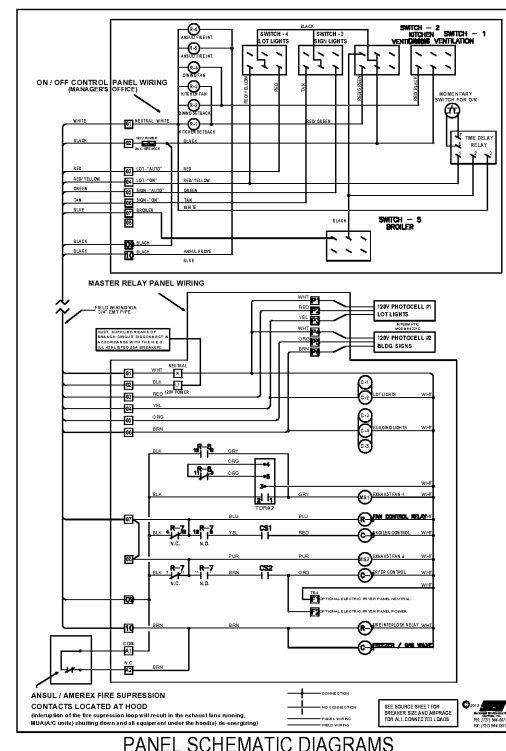
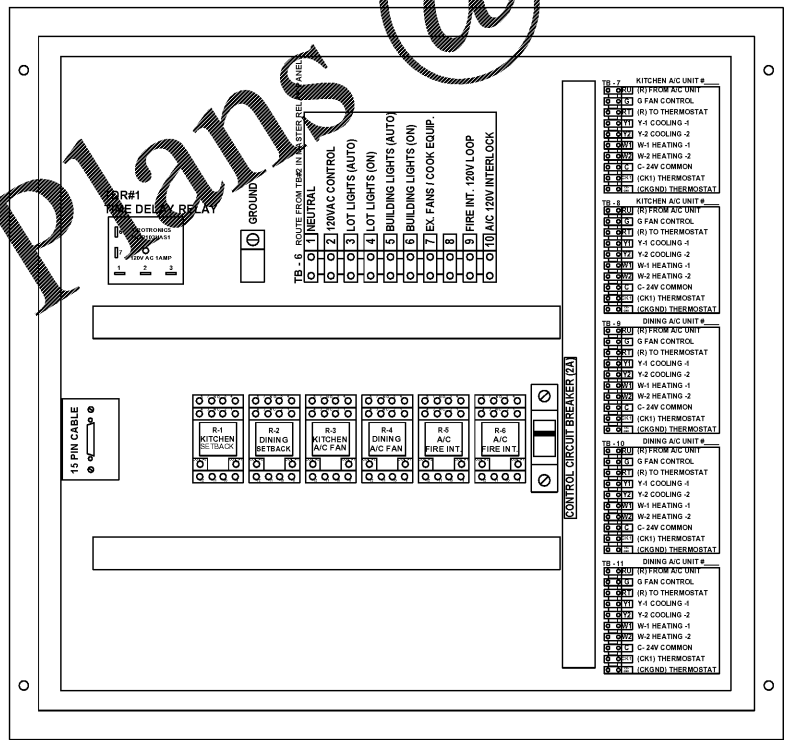
HOOD VENTILATION SYSTEM

IF THE KITCHEN AC SWITCH IS IN THE OCCUPIED POSITION, THE HOOD VENTILATION SYSTEM CAN BE STARTED. UNDER HOOD EQUIPMENT SHALL BE STARTED BY MOVING THE EXHAUST FANS ON/OFF SWITCH TO THE ON POSITION. IF THE EXHAUST FAN SWITCH IS IN THE ON POSITION, THE MAKE-UP AIR UNIT (IF APPLICABLE) SHALL START AUTOMATICALLY. ACTIVATION OF THE HOOD FIRE SUPPRESSION SYSTEM SHALL DE-ENERGIZE THE MAKE-UP AIR UNIT, ALL AC UNITS, AND THE CONTROLLED COOKING EQUIPMENT. THE HOOD EXHAUST SYSTEM SHALL CONTINUE TO OPERATE TO DRAIN OUT SMOKE. THE FIRE SUPPRESSION SYSTEM SHALL BE MANUALLY RESET.

EXTERIOR LIGHTING CONTROL

ALL OF THE EXTERIOR LIGHTING SHALL BE CONTROLLED, WITH THE EXCEPTION OF THE SECURITY LIGHTS WHICH SHALL BE OPERATED BY ITS OWN PHOTOCELL, SECURITY LIGHTING IS OPTIONAL. THE SIGNAGE SELECTOR SWITCH (3-POS.) CONTROLS THE PRIME SIGN, ALL MARQUEE SIGNS, AND BUILDING ACCENT LIGHTING ON POSITION. LIGHTING SHALL BE ON PERMANENTLY. OFF POSITION. LIGHTING SHALL BE OFF PERMANENTLY. AUTO POSITION. LIGHTING SHALL BE CONTROLLED BY THE PHOTO CELL. THE LOT LIGHTS THREE POSITION SWITCH WORKS THE SAME AS THE SIGNAGE SWITCH.

NOTE: UNOCCUPIED-OCCUPIED MASTER RELAY PANEL SHALL BE COMPLETE WHEN SHIPPED TO THE JOB SITE. NO INTERNAL WIRING SHALL BE REQUIRED. MAKE ALL EXTERNAL WIRING CONNECTIONS AS REQUIRED.



Original Plans @

WWW.ONLINE.COM



POPEYES

LEBLON FRANCHISING HOLDINGS, LLC.
POPEYE'S
 LOUISIANA KITCHEN
 921 CONCORD PARKWAY SOUTH
 CONCORD, NC, 28027



FOR CONSTRUCTION

If this document is sealed and signed in a digital or electronic format and is received from someone other than the sealing professional identified in the document, you must contact the sealing professional in writing to validate the authenticity of the document. The sealing professional disclaims the seal and signature and shall not be liable for any liability associated with it where the authenticity of any digital or electronic seal or signature has not been validated in this manner.

ISSUANCE
 PERMIT SUBMITTAL 08/14/2020

REVISIONS
 NO. DATE DESCRIPTION

FILE NUMBER 86560010
 PROJECT MANAGER BSC
 PROFESSIONAL BSC
 DRAWN BY JSC
 CHECKED BY BSC

INTERLOCK PANEL DETAILS

M5