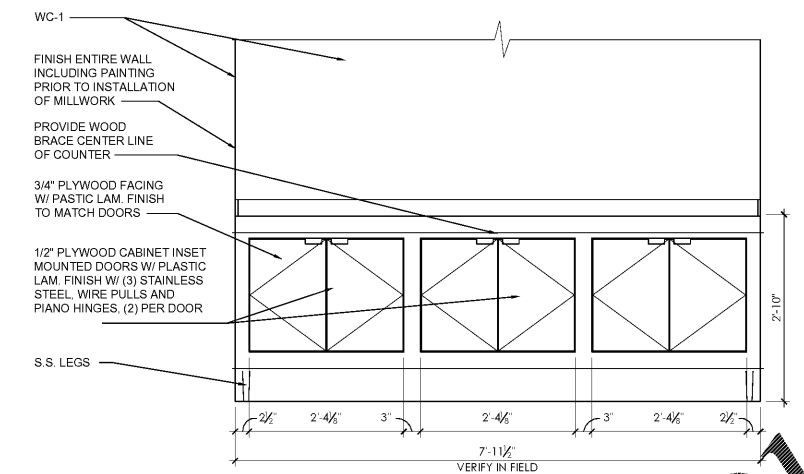
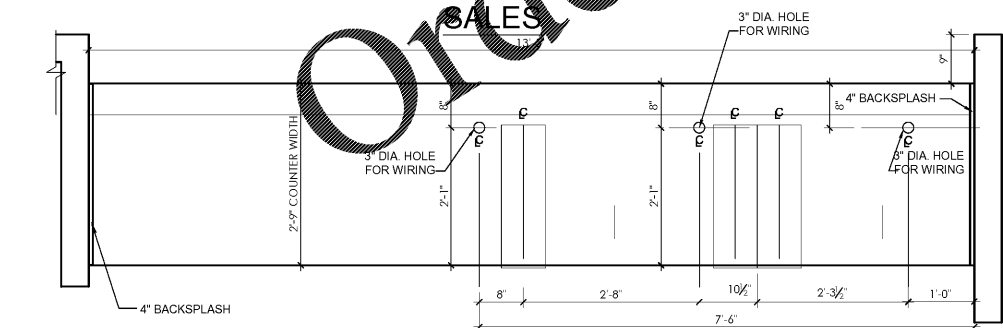


1 SECTION @ FRONT COUNTER
A14 3/4"=1'-0"

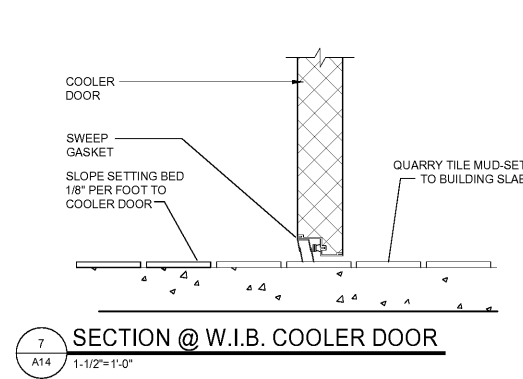


2 SELF-SERVE COUNTER ELEVATION
A14 3/4"=1'-0"

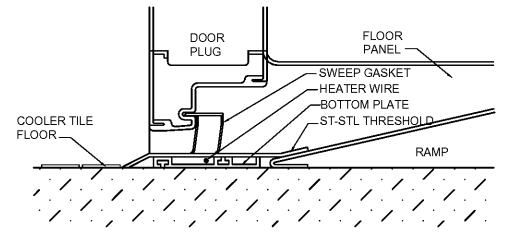
*SUPPLIED BY KITCHEN SUPPLIER
*SEE K3 DRAWING FOR BEVERAGE COUNTER AND ALTERNATE FREESTYLE CONFIGURATION



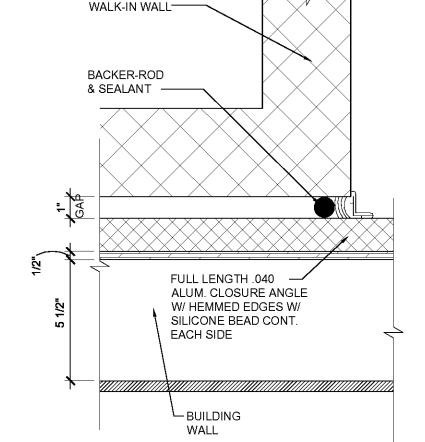
4 FRONT COUNTER CUT-OUTS
A14 3/4"=1'-0"



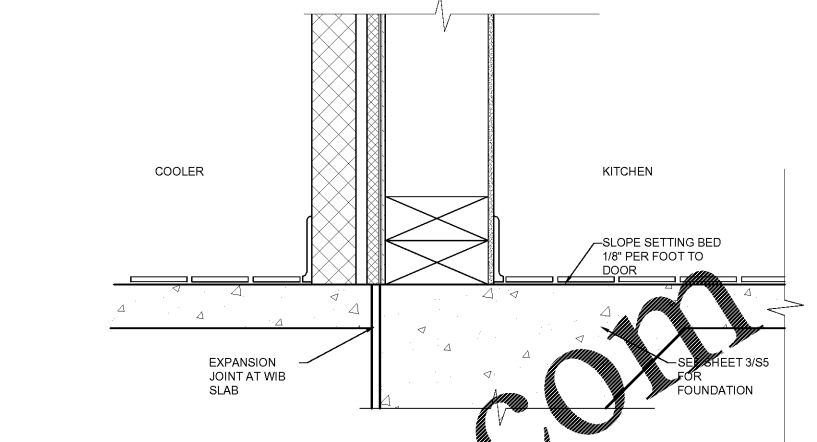
7 SECTION @ W.I.B. COOLER DOOR
A14 1-1/2"=1'-0"



9 SECTION @ W.I.B. FREEZER DOOR
A14 1"=1'-0"



8 FLASHING DETAIL @ W.I.B.
A14 3"=1'-0"

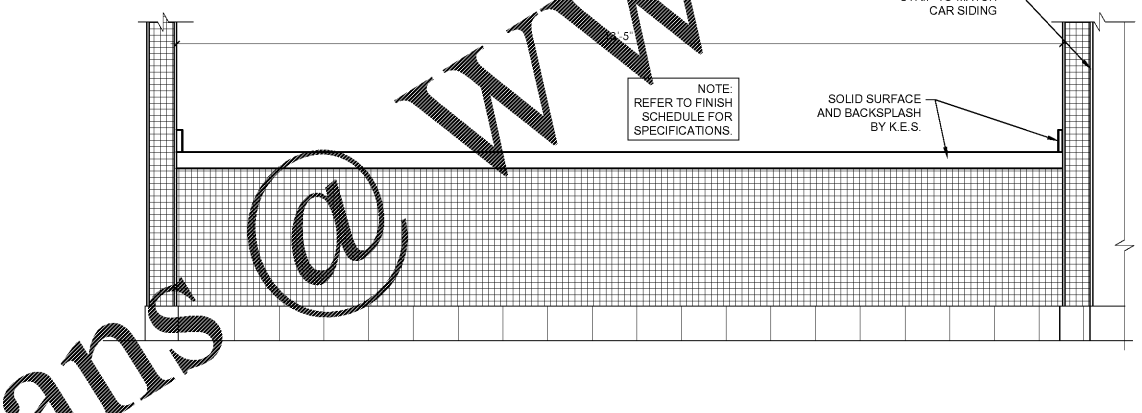


10 SECTION @ W.I.B. WALL
A14 1-1/2"=1'-0"

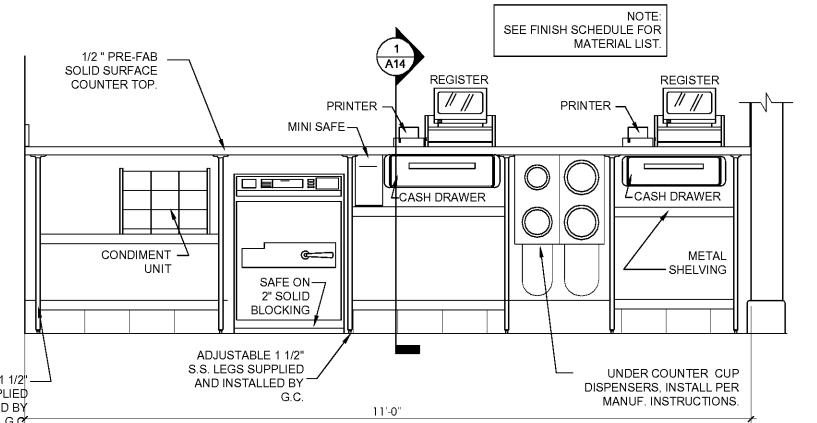
WALK IN BOX NOTES

- NOTE:
SEE SHEET S-1 FOR FOUNDATION DETAILS AND ADDITIONAL NOTES. G.C. TO COMPLY WITH ALL W.I.B. MANUFACTURER RECOMMENDATIONS FOR PREPARATION AND INSTALLATION OF W.I.B. SLAB.
- COOLER REFRIGERATION SHALL BE SIZED TO MAINTAIN 34 DEG. F. FREEZER REFRIGERATION SHALL BE SIZED TO MAINTAIN -10 DEG. F. WALK-IN COOLER SHALL BE PROVIDED WITHOUT FLOOR. WALK-IN FREEZER SHALL BE PROVIDED WITH 4" INSULATED FLOOR AND INTERIOR RAMP AT DOOR.
- THE WALK-IN MANUFACTURER WILL PROVIDE:
1) THE WALK-IN COOLER & FREEZER
2) REFRIGERATION EQUIP. SIZED TO MEET POPEYES REQUIREMENTS. FACTORY ASSEMBLED AND WITH LOW AMBIENT CONTROLS, INCLUDING ALL WIRING, REFRIGERATION PIPING, W/ REMOTE UNITS MOUNTED ON S.S. RAILS LOCATED ON THE ROOF, AND READY FOR FINAL CONNECTION TO ALL NECESSARY UTILITIES.
3) DELIVERY OF THE BOXES
4) CONTRACTOR TO INSTALL WALK-IN BOX AND REFRIG.

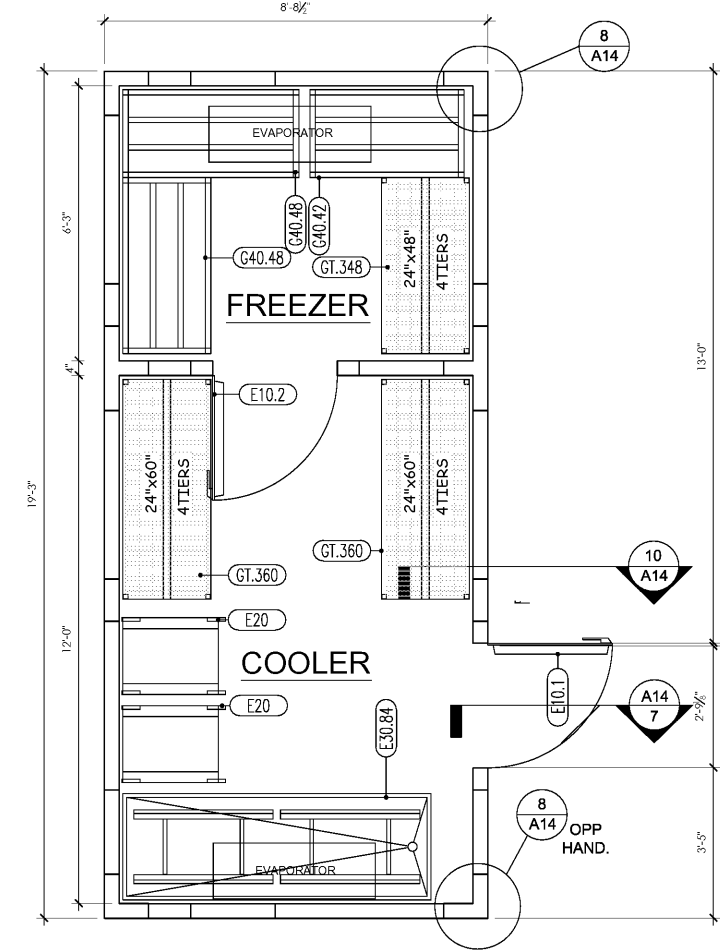
IT SHALL BE THE RESPONSIBILITY OF THE G.C. TO CONTACT WALK-IN BOX PROVIDER AND OBTAIN A COPY OF THE SHOP DRAWINGS FOR THIS PROJECT PRIOR TO ROUTING OF UTILITIES. FAILURE TO OBTAIN SHOP DRAWINGS PRIOR TO ROUTING WILL NOT RESULT IN EXTRA CHARGES TO THE OWNER FOR RELOCATION OF UTILITIES.



3 FRONT COUNTER ELEVATION
A14 3/4"=1'-0"



5 FRONT COUNTER REAR ELEVATION
A14 3/4"=1'-0"



6 WALK IN FLOOR PLAN
A14 1/2"=1'-0"

Order Plans @ WWW.WJDILine.com

ARCHITECTURE ENGINEERING, P.C. SHALL RETAIN ALL COMMON LAW, STATUTORY AND OTHER RESERVED RIGHTS, INCLUDING THE COPYRIGHT THEREIN. PROGRESSIVE ARCHITECTURE ENGINEERING, P.C. SHALL RETAIN ALL COMMON LAW, STATUTORY AND OTHER RESERVED RIGHTS, INCLUDING THE COPYRIGHT THEREIN.

progressive | ae
PROGRESSIVE ARCHITECTURE ENGINEERING, P.C.
330 South Tryon St. Suite 500 | Charlotte, NC 28202 | 704.731.8800 | www.progressiveae.com

LOUISIANA KITCHEN

POPEYES

LEBLON FRANCHISING HOLDINGS, L.L.C. POPEYE'S LOUISIANA KITCHEN
921 CONCORD PARKWAY SOUTH, CONCORD, NC, 28027

PROGRESSIVE ARCHITECTURE ENGINEERING, P.C.
51348
CHARLOTTE, NC

J. P. VAN DOHERY
REGISTERED ARCHITECT
NORTH CAROLINA
06/14/2020

FOR CONSTRUCTION

ISSUANCE PERMIT SUBMITTAL 08/14/2020

NO.	DATE	DESCRIPTION

FILE NUMBER: 86560010
PROJECT MANAGER: DRG
PROFESSIONAL: JRD
DRAWN BY: DRG
CHECKED BY: DS

COOLER & COUNTER SECTIONS & DETAILS

A14