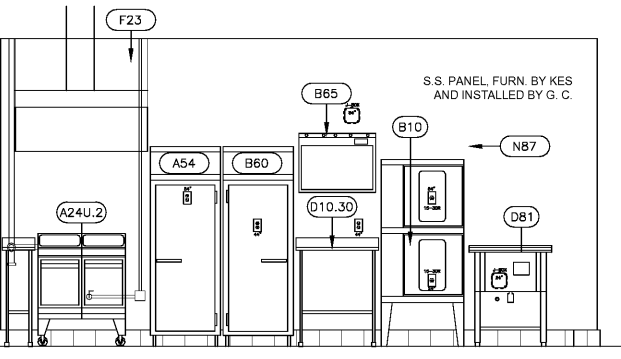


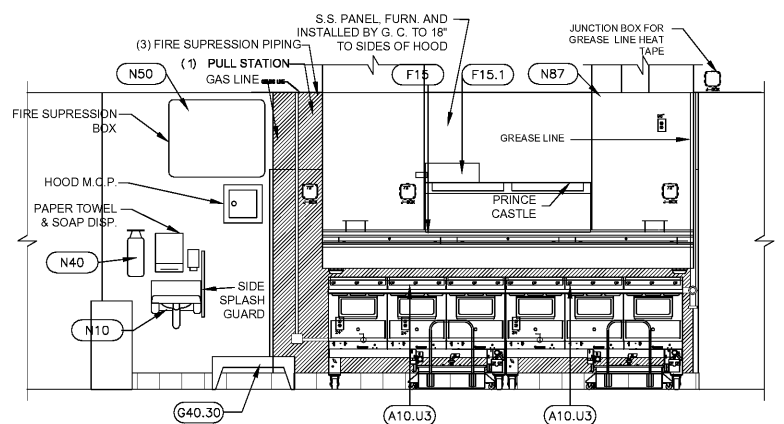
1 KITCHEN ELEVATION  
A13 3/8"=1'-0"

2 KITCHEN ELEVATION  
A13 3/8"=1'-0"

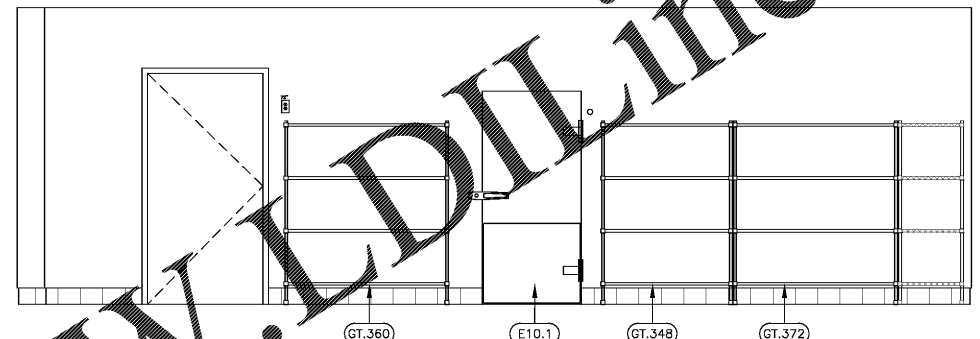
3 KITCHEN ELEVATION  
A13 3/8"=1'-0"



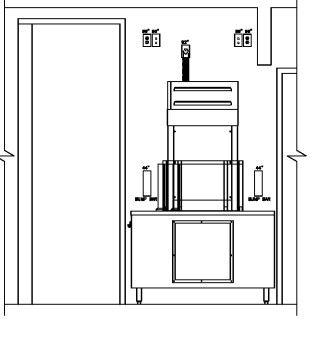
4 KITCHEN ELEVATION  
A13 3/8"=1'-0"



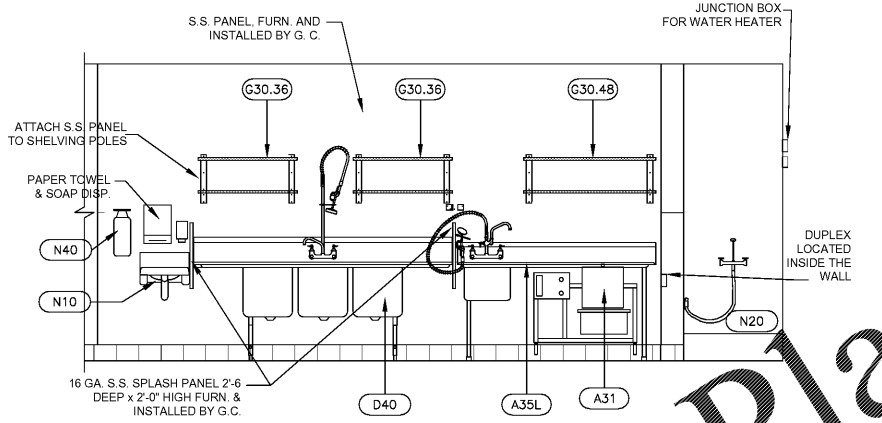
5 KITCHEN ELEVATION  
A13 3/8"=1'-0"



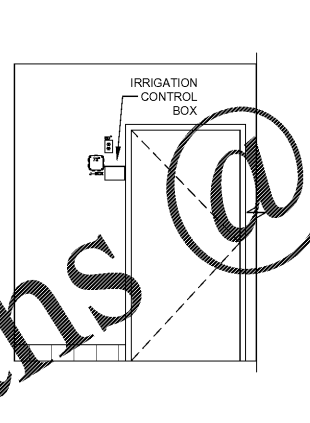
6 KITCHEN ELEVATION  
A13 3/8"=1'-0"



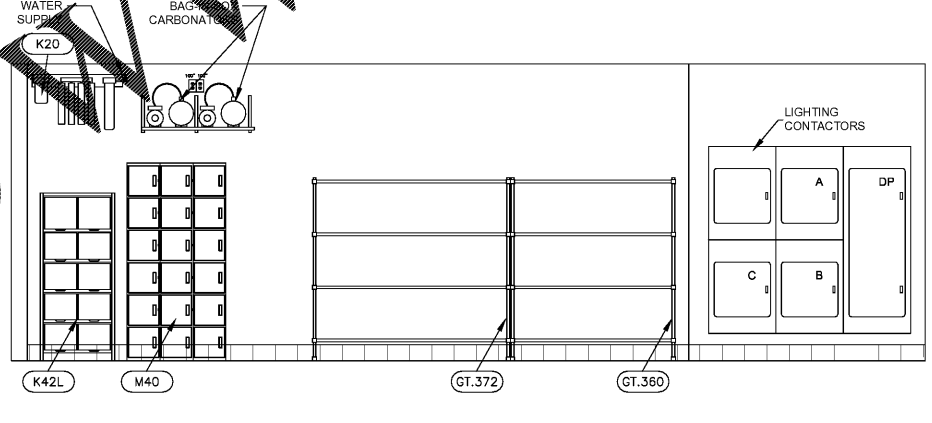
16 INTERIOR ELEVATION  
A13 3/8"=1'-0"



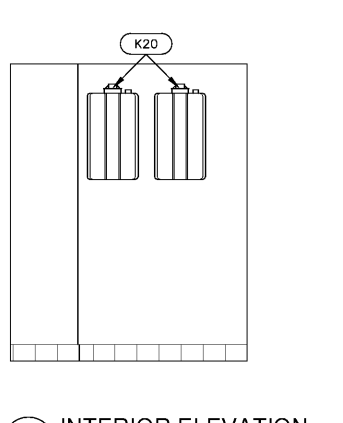
7 KITCHEN ELEVATION  
A13 3/8"=1'-0"



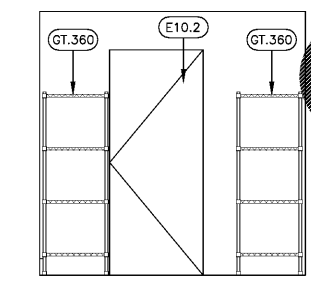
8 REAR DOOR  
A13 3/8"=1'-0"



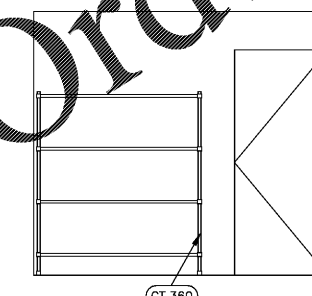
9 INTERIOR STORAGE ELEVATION  
A13 3/8"=1'-0"



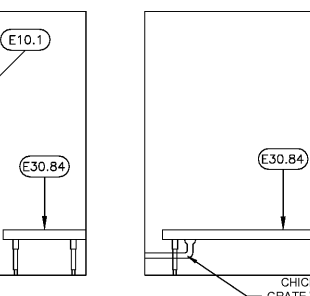
16 INTERIOR ELEVATION  
A13 3/8"=1'-0"



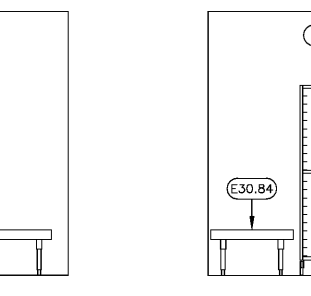
10 INTERIOR COOLER ELEVATION  
A13 3/8"=1'-0"



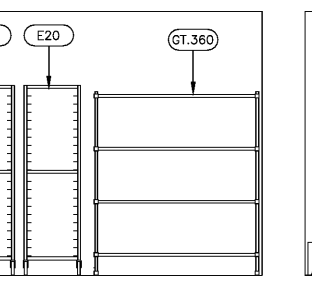
11 INTERIOR COOLER ELEVATION  
A13 3/8"=1'-0"



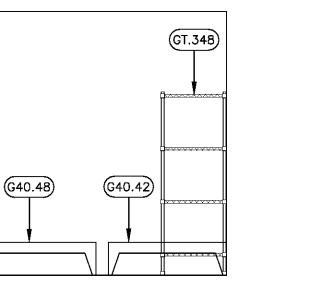
12 INTERIOR COOLER ELEVATION  
A13 3/8"=1'-0"



13 INTERIOR COOLER ELEVATION  
A13 3/8"=1'-0"



14 INTERIOR FREEZER ELEVATION  
A13 3/8"=1'-0"



15 INTERIOR ELEVATION  
A13 3/8"=1'-0"

**LEGEND**

- DUPLEX RECEPTACLE
- SPECIAL PURPOSE RECEPTACLE
- TELEPHONE OUTLET / DATA OUTLET
- TELEPHONE ONLY OUTLET
- DATA ONLY OUTLET
- JUNCTION BOX
- WATER CONNECTION

**NOTES:**

- DIMENSIONS ARE TAKEN TO THE CENTER LINE OF THE JUNCTION BOXES. (VERT. & HORIZ.)
- PAPER TOWER DISPENSER BY: SAN JAMAR #T1490 TBK FURNISHED AND INSTALLED BY G.C.
- SOAP DISPENSER FURNISHED BY OWNER INSTALLED BY G.C.

**progressive | ae**  
PROGRESSIVE ARCHITECTURE ENGINEERING, P.C.  
330 South Tryon St. Suite 500 | Charlotte, NC 28202 | 704.731.8880 | www.progressiveae.com



**POPEYE'S**  
LEBLON FRANCHISING HOLDINGS, L.L.C.  
**POPEYE'S**  
LOUISIANA KITCHEN  
921 CONCORD PARKWAY SOUTH,  
CONCORD, NC, 28027



**FOR CONSTRUCTION**

If this document is sealed and signed in a digital or electronic format and is received from someone other than the sealing professional identified in the document, you must contact the sealing professional in writing to validate the authority of the document. The sealing professional disclaims the seal and signature and shall not be liable for any liability associated with it where the authority of any digital or electronic seal or signature has not been validated in this manner.

**ISSUANCE**  
PERMIT SUBMITTAL 08/14/2020

**REVISIONS**  
NO. DATE DESCRIPTION

FILE NUMBER 86560010  
PROJECT MANAGER DRG  
PROFESSIONAL JRD  
DRAWN BY DRG  
CHECKED BY DS

**KITCHEN ELEVATIONS**

**A13**

Order Plans @

ARCHITECTURE ENGINEERING, P.C. SHALL RETAIN ALL COMMON LAW, STATUTORY AND OTHER RESERVED RIGHTS, INCLUDING THE COPYRIGHT THEREIN. PROGRESSIVE ARCHITECTURE ENGINEERING, P.C. SHALL RETAIN ALL COMMON LAW, STATUTORY AND OTHER RESERVED RIGHTS, INCLUDING THE COPYRIGHT THEREIN.