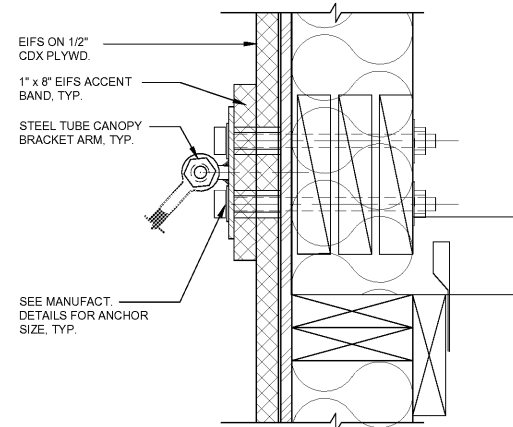
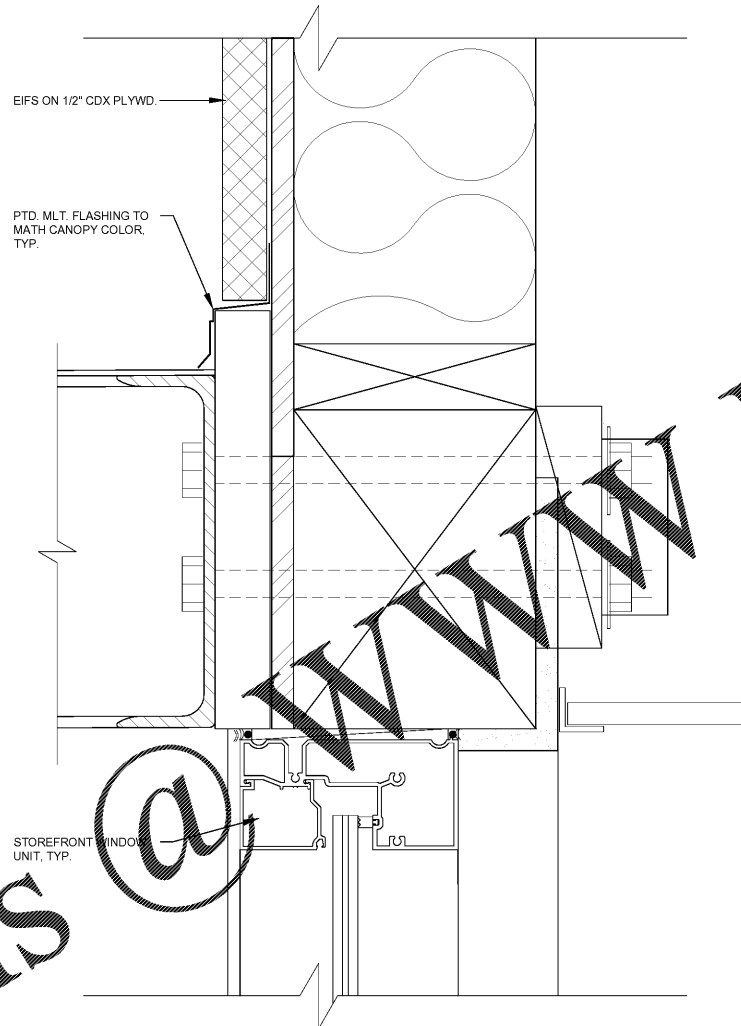


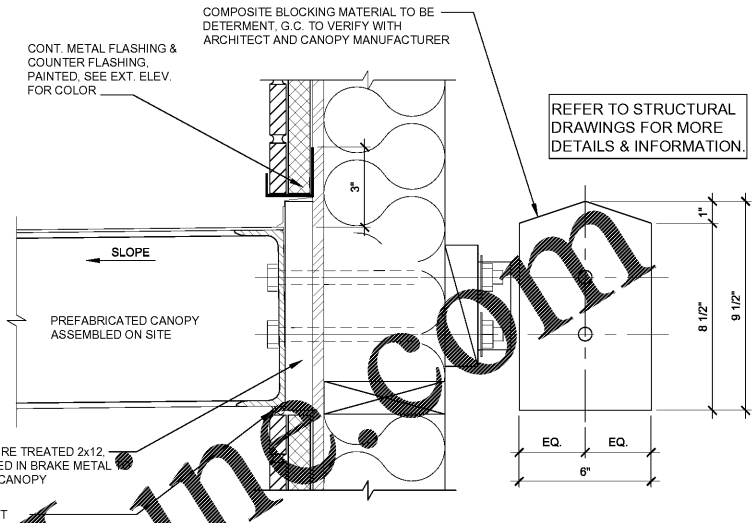
1 DETAIL AT PREMANUF. CANOPY
A11 3'-1'-0"



2 UPPER BRACKET MOUNTING DETAIL
A11 3'-1'-0"

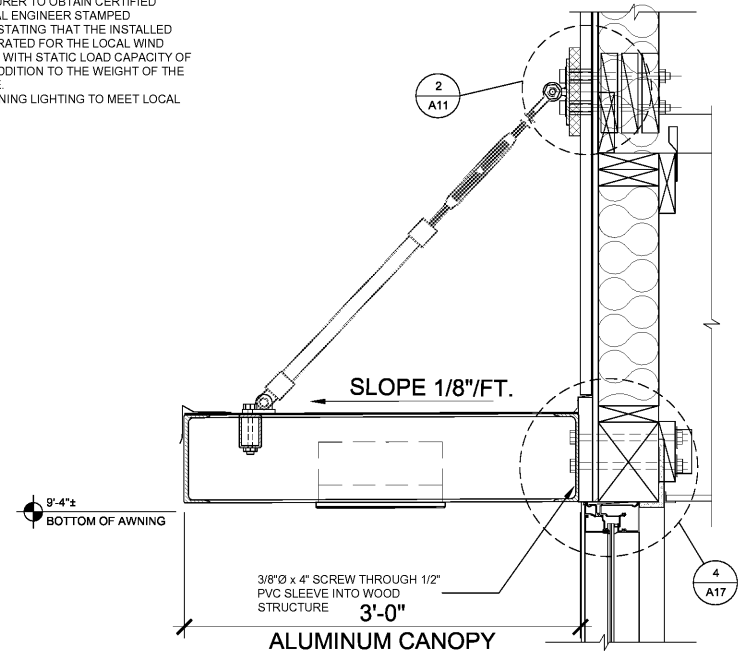


3 FLASHING DETAIL
A11 6'-1'-0"

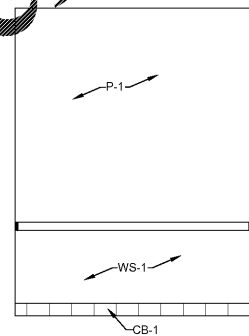


4 DETAIL AT DRIVE-THRU WINDOW CANOPY
A11 1'-0"

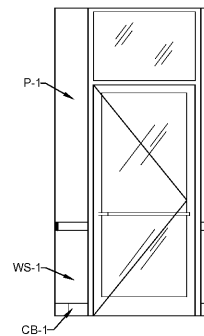
- NOTES:
- MANUFACTURER TO OBTAIN CERTIFIED STRUCTURAL ENGINEER STAMPED DRAWINGS STATING THAT THE INSTALLED CANOPY IS RATED FOR THE LOCAL WIND LOAD ZONE, WITH STATIC LOAD CAPACITY OF 20 PSF IN ADDITION TO THE WEIGHT OF THE STRUCTURE.
 - INSTALL AWNING LIGHTING TO MEET LOCAL CODES.



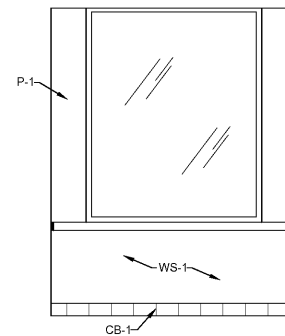
5 DETAIL @ CANOPY
A11 1'-1/2'-1'-0"



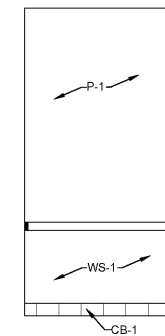
6 WALL ELEVATION @ MAIN ENTRANCE
A11 3/8'-1'-0"



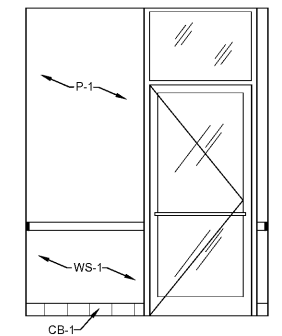
7 ELEVATION ENTRANCE AREA @ DRIVE-THRU SIDE
A11 3/8'-1'-0"



8 ELEVATION ENTRANCE AREA @ DRIVE-THRU SIDE
A11 3/8'-1'-0"



9 ELEVATION ENTRANCE AREA @ DRIVE-THRU SIDE
A11 3/8'-1'-0"



10 ELEVATION ENTRANCE AREA @ DRIVE-THRU SIDE
A11 3/8'-1'-0"

Order Plans @

ARCHITECTURE ENGINEERING, P.C. SHALL RETAIN ALL COMMON LAW, STATUTORY AND OTHER RESERVED RIGHTS, INCLUDING THE COPYRIGHT THEREIN. IT IS THE POLICY OF ARCHITECTURE ENGINEERING, P.C. TO PROTECT AND ENFORCE ITS RIGHTS IN ALL FORMS OF INTELLECTUAL PROPERTY, INCLUDING BUT NOT LIMITED TO PATENTS, TRADEMARKS, AND PROPRIETARY INFORMATION. ARCHITECTURE ENGINEERING, P.C. SHALL RETAIN ALL COMMON LAW, STATUTORY AND OTHER RESERVED RIGHTS, INCLUDING THE COPYRIGHT THEREIN.

progressive | ae

PROGRESSIVE ARCHITECTURE ENGINEERING, P.C.
330 South Tryon St, Suite 500 | Charlotte, NC 28202 | 704.731.8800 | www.progressiveae.com



POPEYE'S

LEBLON FRANCHISING HOLDINGS, L.L.C.
POPEYE'S
LOUISIANA KITCHEN
921 CONCORD PARKWAY SOUTH
CONCORD, NC, 28027



FOR CONSTRUCTION

If this document is sealed and signed in a digital or electronic format and is received from someone other than the sealing professional identified in the document, you must contact the sealing professional in writing to validate the authority of the document. The sealing professional disclaims the seal and signature and shall not be liable for any liability associated with it where the authority of any digital or electronic seal or signature has not been validated in this manner.

ISSUANCE PERMIT SUBMITTAL 08/14/2020

REVISIONS NO. DATE DESCRIPTION

FILE NUMBER 86560010
PROJECT MANAGER DRG
PROFESSIONAL JRD
DRAWN BY DRG
CHECKED BY DS

EXTERIOR DETAILS & DINING ROOM ELEVATIONS

A11