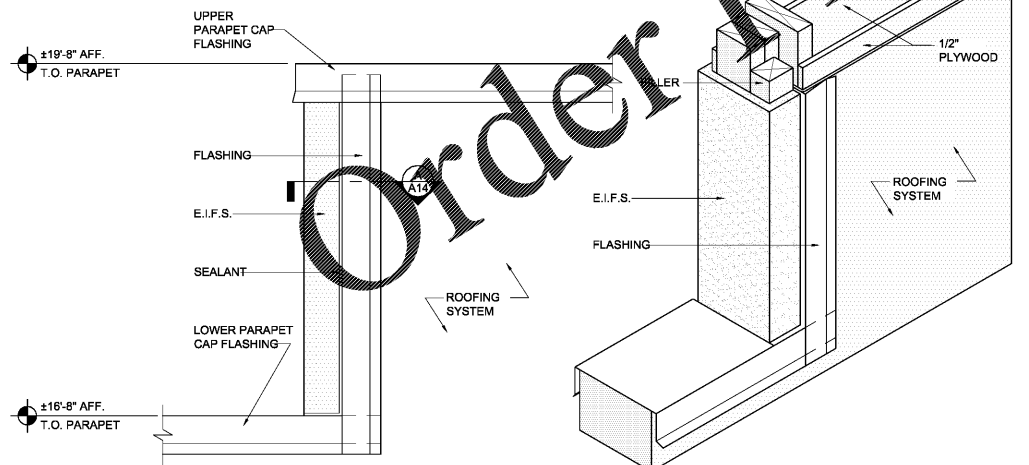
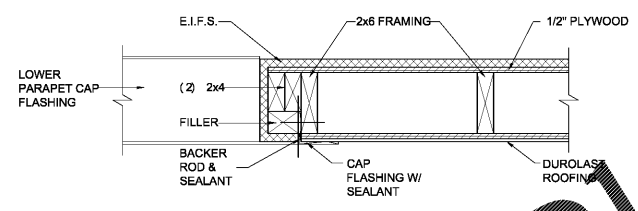
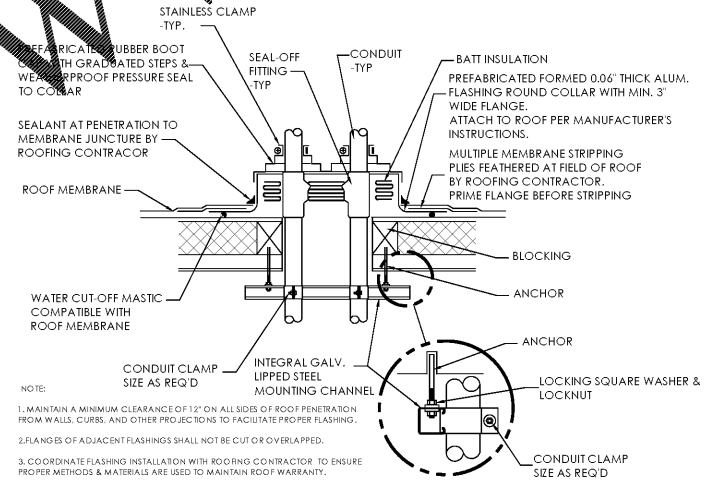


1 ROOF PLAN
A4 1/4"=1'-0"

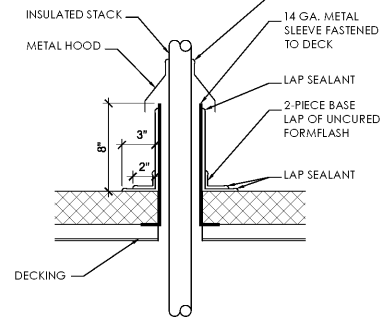


4 TYPICAL FRAMING DETAIL AT END OF PARAPET
A4 1-1/2"=1'-0"

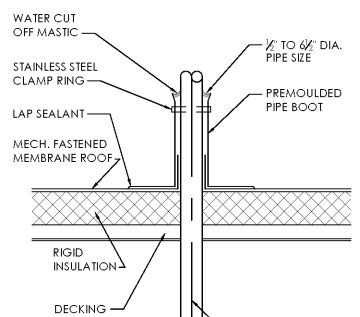
NOTE:
ROOFING SYSTEM SHALL BE WHITE SINGLE PLY ROOF MEMBRANE AS MANUFACTURED BY:
1) DURLAST
ROOFING TO BE APPLIED OVER 1" INSULATION BOARD IN ACCORDANCE WITH MANUFACTURER'S SPECIFICATIONS.



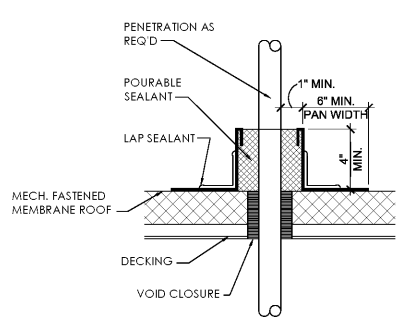
3 CONDUIT ROOF PENETRATION
A4 1 1/2"=1'-0"



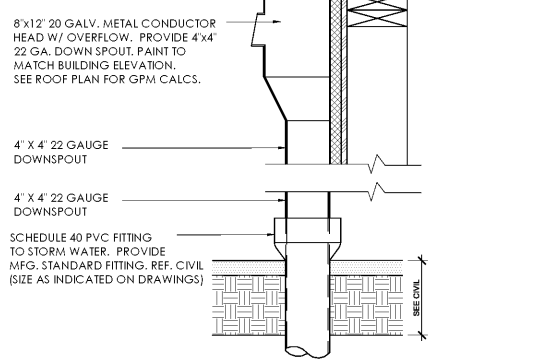
5 PIPING OR VENT FLASHING
A4 1-1/2"=1'-0"



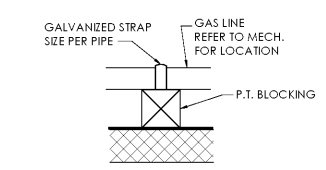
6 HOT GAS VENT PIPE DETAIL
A4 1-1/2"=1'-0"



7 PITCH POCKET DETAIL
A4 1-1/2"=1'-0"



9 SCUPPER & DOWNSPOUT DETAIL
A4 1 1/2"=1'-0"



8 GAS PIPING DETAIL
A4 1-1/2"=1'-0"

ARCHITECTURE ENGINEERING, P.C. SHALL RETAIN ALL COMMON LAW, STATUTORY AND OTHER RESERVED RIGHTS, INCLUDING THE COPYRIGHT THEREIN. IT SHALL RETAIN ALL COMMON LAW, STATUTORY AND OTHER RESERVED RIGHTS, INCLUDING THE COPYRIGHT THEREIN.

Order Plans @

WWW.DLINE.COM

progressive|ae
PROGRESSIVE ARCHITECTURE ENGINEERING, P.C.
330 South Tryon St. Suite 500 | Charlotte, NC 28202 | 704.731.8800 | www.progressiveae.com

LOUISIANA PROFESSIONAL ENGINEER
51348

POPEYE'S
LEBLON FRANCHISING HOLDINGS, L.L.C.
POPEYE'S
LOUISIANA KITCHEN
921 CONCORD PARKWAY SOUTH,
CONCORD, NC, 28027

FOR CONSTRUCTION

If this document is sealed and signed in a digital or electronic format and is received from someone other than the sealing professional identified in the document, you must contact the sealing professional in writing to validate the authority of the document. The sealing professional disclaims the seal and signature and shall not be liable for any liability associated with it where the authority of any digital or electronic seal or signature has not been validated in this manner.

ISSUANCE PERMIT SUBMITTAL 08/14/2020

NO.	DATE	DESCRIPTION

FILE NUMBER	86560010
PROJECT MANAGER	DRG
PROFESSIONAL	JRD
DRAWN BY	DRG
CHECKED BY	DS

ROOF PLAN & DETAILS
A4