

SYMBOL LEGEND:

GRID1	GRID SPECIFICATION
ACOU1	TILE SPECIFICATION
9'-4"	CEILING HEIGHT AFF
▽	BALCONY LIGHT
E-1	MANSARD WALL MOUNT (UNDERSIDE OF AWNING)
E	SIGN / ACCENT LIGHT
H	RECESSED BALCONY (CALLED BY SIGN SUPPLIER)
D	WALL LIGHT
□	TERROR SPEAKER
S	EMERGENCY LIGHT / EXIT SIGN
⊕	EXTERIOR EMERGENCY LIGHTING
⊙	INTERIOR SPEAKER
⊗	CRABPOT PENDANT LIGHT
⊕	CYLINDRICAL IPENDANT LIGHT
⊕	MULTI-COLOR PENDANT LIGHT
⊕	RECESSED DOWNLIGHT
⊙	RECESSED SPOTLIGHT
□	2 X 4 COMMERCIAL LED TROFFER MOUNT NO LOWER THAN 6"
□	1 X 4 FLUORESCENT FIXTURE-WALK IN COOLER/FREEZER
□	MECH. - RETURN AIR
□	MECH. - DIFFUSED SUPPLY
□	MECH. - SUPPLY
□	MECH. - REGISTER

1. PLEASE CONTACT DAVID JACKSON AT HERMITAGE LIGHTING FOR INFORMATION ON THE APPROVED LIGHTING PACKAGE, AND PRICING TEL. (800) 284-3383
 2. NO SUBSTITUTION ALLOWED FOR SPECIFIED LIGHT FIXTURES.
 3. ONLY APPROVED VENDORS ARE ALLOWED TO BE USED FOR PURCHASING POPEYES LOUISIANA KITCHEN BRAND PRODUCTS.

1 REFLECTED CEILING PLAN
 A3 1/4"=1'-0"

NOTE:
 • CEILING GRID#2 TO BE INSTALLED CENTERED ABOVE DINING ROOM SPACE.

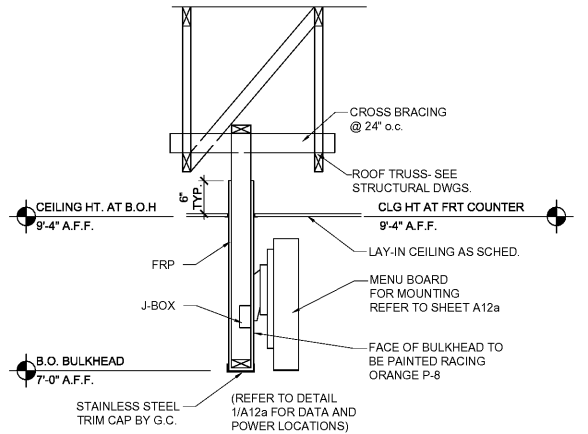
MATERIALS:

- GRID1 15/16" DBL WEBB HOT DIPPED GALV. STEEL TEE, ALUMINUM CAP #ZXA BY U.S.G.-COLOR: WHITE
 - ACOU1 U.S.G. SHEETROCK BRAND LAY-IN CEILING TILE "CLIMAPLUS" #3270, WHITE VINYL, 24"x48"x1/2"
 - GRID2 DX26 15/16" EXPOSED GRID SYSTEM, ALUMINUM CAP #ZXA BY U.S.G. -COLOR: WHITE
 - ACOU2 U.S.G. "RADAR CLIMAPLUS" # 2220, STL. EDGES, 24"x24"x1/2" WHITE
 - ACOU2 U.S.G. "RADAR CLIMAPLUS" # 2420, STL. EDGES, 24"x15"x5/8", (Optional) WHITE
 - GPBD1 1/2" WMR GYPSUM BOARD SURFACE, WHITE, JOINTS FILL AND SMOOTHED, PAINTED BEIGE, PAINT TO MATCH FINISHING
- MANUFACTURERS AND COLORS SHALL BE AS SPECIFIED. SUBSTITUTIONS WILL NOT BE ACCEPTED. PAINT TO BE APPLIED IN ACCORDANCE WITH MANUFACTURERS TECHNICAL DATA SHEETS.

NOTE:
 REFER TO FINISH SCHEDULE FOR OPTIONAL DINING AREA CEILING FINISH AND COLOR

CONSTRUCTION KEY NOTES

- CONTRACTOR SHALL PROVIDE AND INSTALL STAINLESS STEEL CEILING PANELS (20 GAUGE) AT HOOD AREA. INSTALLATION SHALL EXTEND A MINIMUM 18" BEYOND THE EDGE OF THE HOOD, UNLESS SPECIFIED OTHERWISE.
- INSTALL A STAINLESS STEEL CAP ALONG THE BOTTOM EDGE OF THE BULKHEAD TO A HEIGHT O.D. 3" UP THE SIDES.
- PAINT THE UNDERSIDE OF THE FUR-DOWN AT THE FRONT COUNTER P-8 AS SPECIFIED ON THE INTERIOR FINISH SCHEDULE.
- GC SHALL COORDINATE THE INSTALL OF THE MENU BOARD WITH SICOM AT THE LOCATION SHOWN. COORDINATE WITH THE POPEYES CONSTRUCTION MANAGER AND SICOM FOR INSTALLATION TIMELINES AND REQUIREMENTS.
- THE LIGHTING FIXTURES BELOW THE CANOPY SHALL BE PREINSTALLED BY THE CANOPY MANUFACTURER. CONTACT THE MANUFACTURER TO VERIFY ELECTRICAL REQUIREMENTS.
- THE "E" FIXTURE LIGHTS ARE CENTERED ABOVE THE GLAZING AT THE CENTER LINE. THE GC SHALL ENSURE THAT THE AWNING INSTALLERS ADJUST THE AWNING STRINGS TO AVOID THE FIXTURES.
- CONTRACTOR SHALL INSTALL THE PENDANT LIGHTS AT THE SELF SERVE DRINK STATION AFTER ALL THE EQUIPMENT HAS BEEN INSTALLED AND SHOWN TO BE OPERATIONAL.



2 SECTION @ MENUBOARD
 A3 3/4"=1'-0"

SPECIFICATIONS:

DIVISION 9: FINISHES
SECTION 9C: SUSPENDED CEILING
 GENERAL PROVISIONS
 1. SCOPE: FURNISH AND INSTALL ACOUSTICAL TILE PANELS WITH MANUFACTURER'S SUSPENSION SYSTEM.
 PERFORMANCE
 1. INSTALLATION: GRID SHALL BE INSTALLED AS SHOWN AND IN STRICT ACCORDANCE WITH MANUFACTURER'S INSTRUCTIONS. LEVEL ACCURATELY AND HANG FROM #9 GAUGE ANNEALED WIRE NOT OVER 4" ON CENTERS. PROVIDE HOLD-DOWN CLIPS. COOPERATE IN FITTING AROUND AIR CONDITIONING AND VENTILATION OUTLETS. TRY TO AVOID FITTING RECESSED LIGHT FIXTURES WITHIN 3" OF EDGE OF TILE.

GENERAL NOTES

- CEILING GRID SHALL BE SUPPORTED FROM STRUCTURAL MEMBERS ONLY. GRID SHALL NOT BE SUPPORTED FROM OTHER TRADES WORK.
- COORDINATE GRID INSTALLATION WITH LOCATION OF MECHANICAL EQUIPMENT AS INDICATED ON SHEET M-1 AND E-1.
- HANGER WIRES FOR GRID SHALL BE INSTALLED AT NOT MORE THAN 48" O.C. AND AT EACH CORNER OF LAY-IN LIGHT FIXTURES. SEE ELECTRICAL PLANS FOR FIXTURE LOCATIONS.
- CEILING GRID SHOULD BE CENTERED AT DINING ROOM.

Order Plans @ WWW.ArchLine.com



POPEYES

LEBLON FRANCHISING HOLDINGS, L.L.C.
POPEYE'S LOUISIANA KITCHEN
 921 CONCORD PARKWAY SOUTH, CONCORD, NC, 28027



FOR CONSTRUCTION

If this document is sealed and signed in a digital or electronic format and is received from someone other than the sealing professional identified in the document, you must contact the sealing professional in writing to validate the authority of the document. The sealing professional disclaims the seal and signature and shall not be liable for any liability associated with it where the authority of any digital or electronic seal or signature has not been validated in this manner.

ISSUANCE
 PERMIT SUBMITTAL 08/14/2020

REVISIONS

NO.	DATE	DESCRIPTION
△		

FILE NUMBER 86560010
 PROJECT MANAGER DRG
 PROFESSIONAL JRD
 DRAWN BY DRG
 CHECKED BY DS

REFLECTED CEILING PLAN

A3