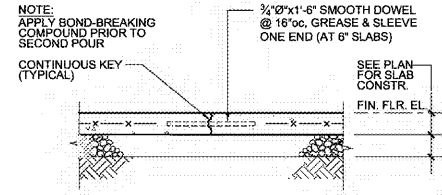
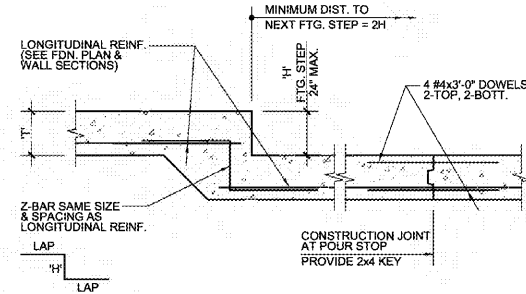


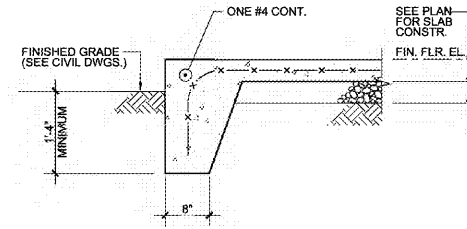
1 SAWCUT CONTRACTION JOINT
S4 N.T.S.



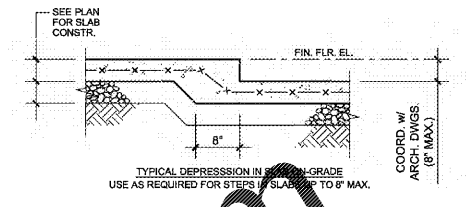
2 KEYED CONSTRUCTION JOINT
S4 N.T.S.



3 SECTION - FOOTING STEP & CONSTRUCTION JOINT
S4 N.T.S. IF NEEDED

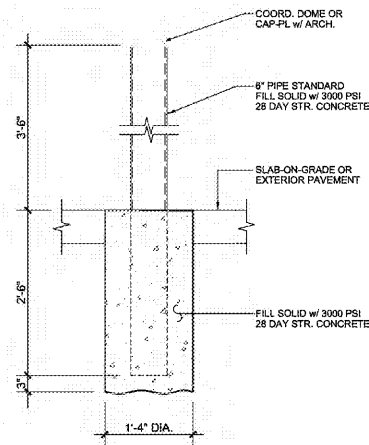


4 SECTION AT TURNED DOWN SLAB
S4 3/4\"/>

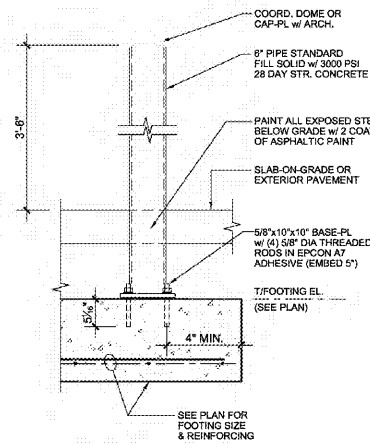


5 SECTION - TYP. DEPRESSED SLAB
S4 N.T.S.

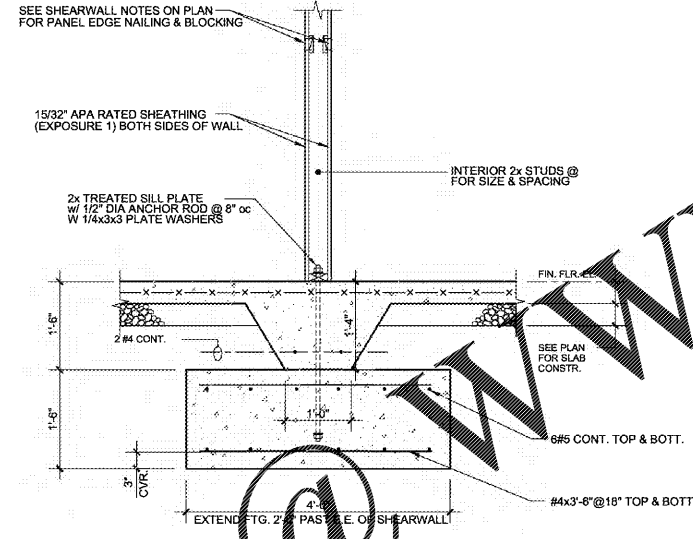
COORD. W/ARCH/ & CIVIL FOR QUANTITY AND LOCATION REQUIRED



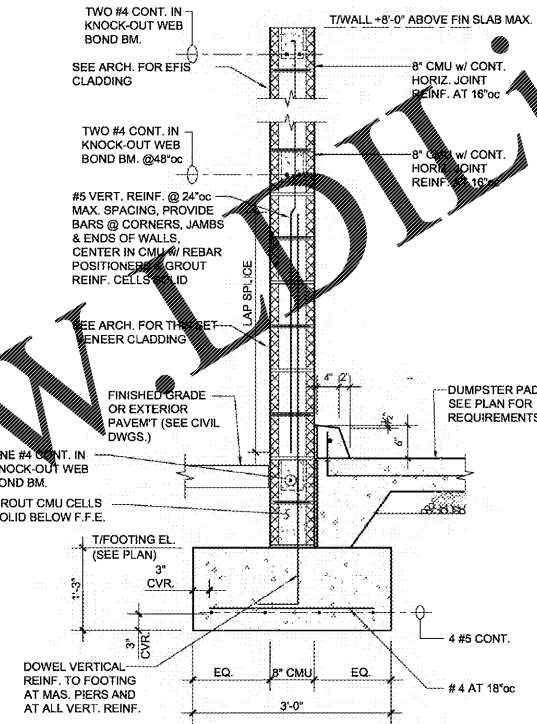
6 TYPICAL PIPE BOLLARD DETAILS
S4 N.T.S.



BOLLARD AT FOOTING



SECTION - INTERIOR SHEARWALL AT FLOOR
S4 N.T.S.



8 SECTION AT EXTERIOR SCREENWALL
S4 3/4\"/>

Order Plans @

www.pdfline.com



LEBLON FRANCHISING HOLDINGS, LLC. POPEYE'S LOUISIANA KITCHEN 921 CONCORD PARKWAY SOUTH, CONCORD, NC, 28027

ARP ENGINEERING CONSULTING ENGINEERS
202 EAST FRANKLIN STREET, SUITE A
CONCORD, NC 28027
CONTACT: aarp@arpeng.com
NC COA 0284



8/14/20

If this document is sealed and signed in a digital or electronic format and is received from someone other than the sealing professional identified in the document, you must contact the sealing professional in writing to validate authenticity of the document. The sealing professional disclaims the seal and signature and shall not be liable for any liability associated with it where the authenticity of any digital or electronic seal or signature has not been validated in this manner.

2020 ARP ENGINEERING, INC.
All Rights Reserved. Unsanctioned Reproduction Prohibited.

ISSUANCE
PERMIT SUBMITTAL 08/14/2020

REVISIONS
NO. DATE DESCRIPTION

AEI PROJECT No. 20091
FILE NUMBER
PROJECT MANAGER DS
PROFESSIONAL EOR LDA
DRAWN BY CADD
CHECKED BY LDA

SECTIONS AND DETAILS
S4