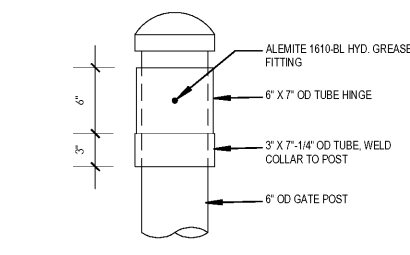
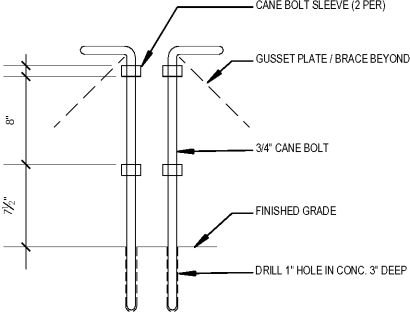


5  
G2 1/2"=1'-0"

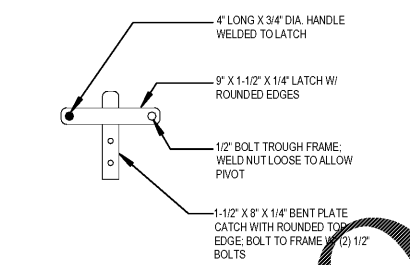


6  
G2 1 1/2"=1'-0"

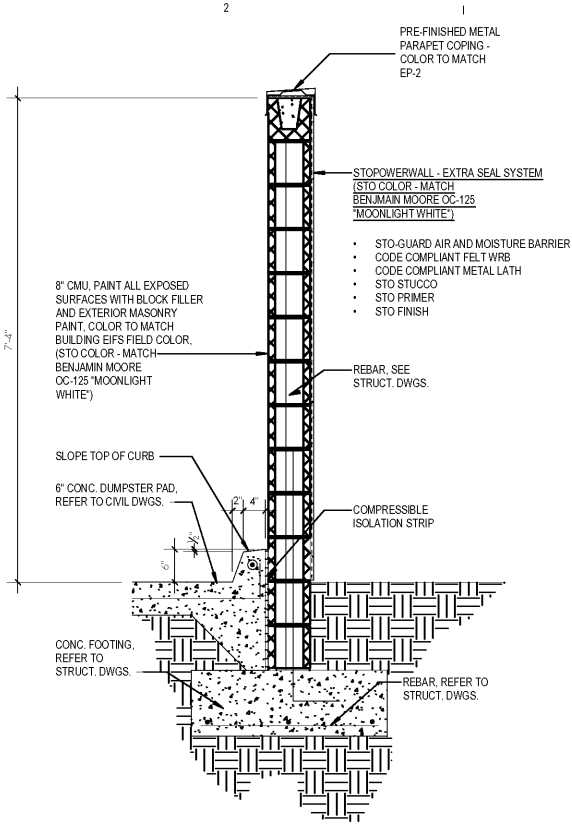
**NOTE:**  
PROVIDE TWO TABS, ONE TO PREVENT THE CANE BOLT FROM DRAGGING WHILE THE GATES ARE BEING OPENED AND ANOTHER TO PREVENT THE CANE BOLT FROM BEING PULLED OUT AND STOLEN. ONE TAB MAY BE ABLE TO PERFORM BOTH FUNCTIONS.



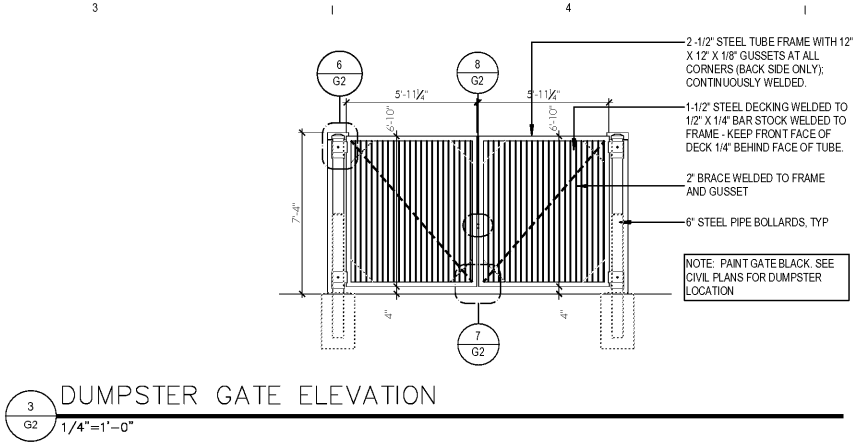
7  
G2 1 1/2"=1'-0"



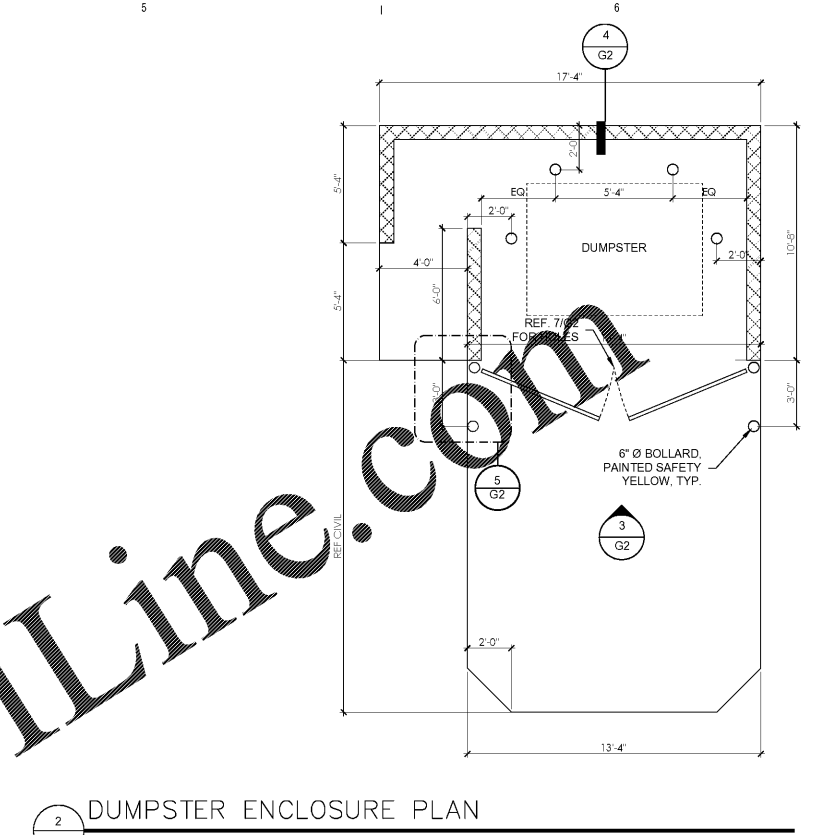
8  
G2 1 1/2"=1'-0"



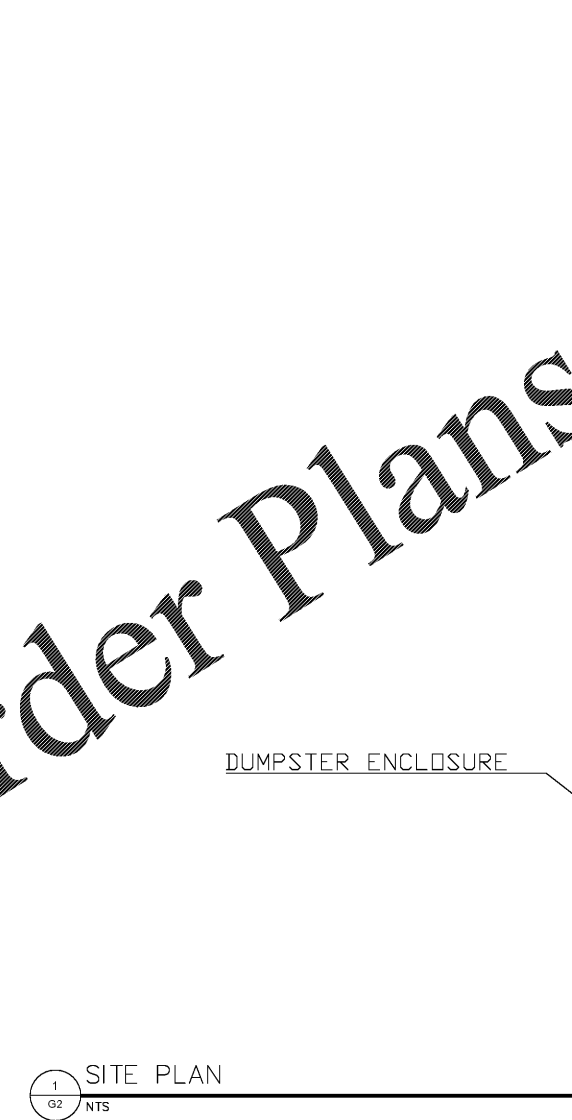
4  
G2 3/4"=1'-0"



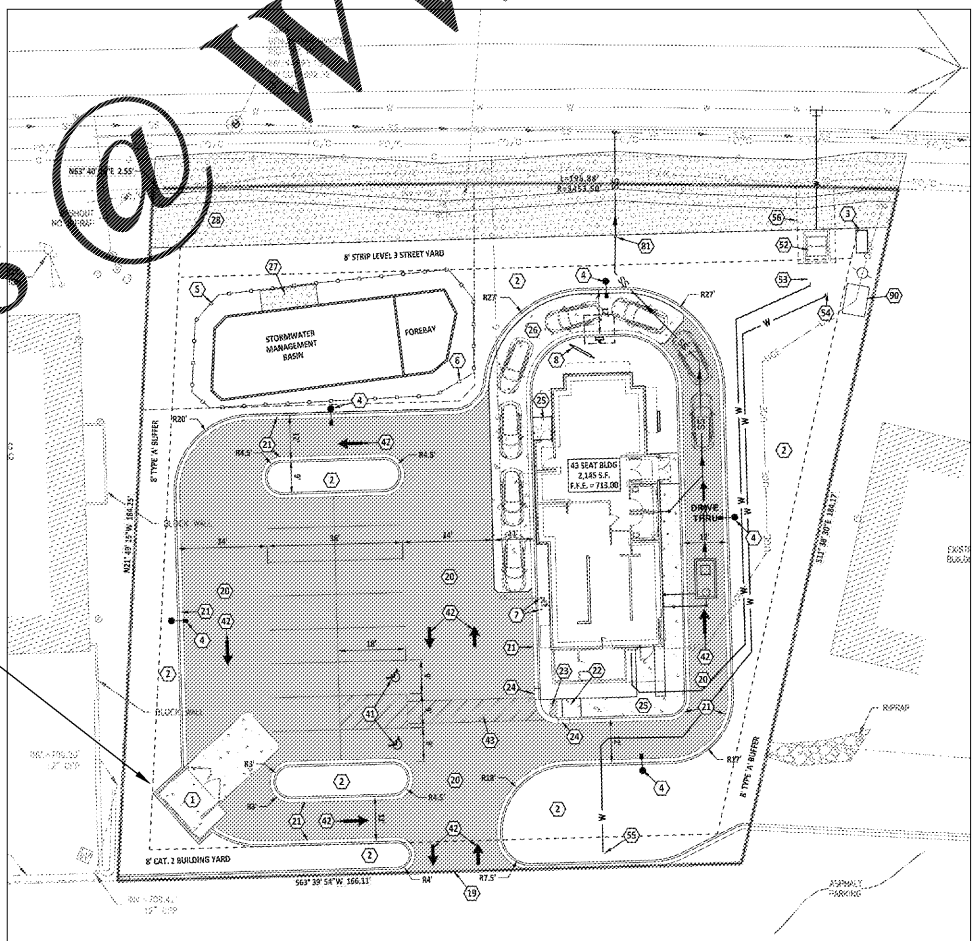
3  
G2 1/4"=1'-0"



2  
G2 1/4"=1'-0"



1  
G2 NTS



**NOTE:**  
ARCHITECTURAL SITE PLAN SHOWN FOR GENERAL REFERENCE ONLY. CIVIL PLANS HAVE BEEN SUBMITTED SEPARATELY AHEAD OF BUILDING PERMIT SUBMISSION.

ARCHITECTURE ENGINEERING, P.C. SHALL RETAIN ALL COMMON LAW, STATUTORY AND OTHER RESERVED RIGHTS, INCLUDING THE COPYRIGHT THEREIN. PROGRESSIVE ARCHITECTURE ENGINEERING, P.C. SHALL RETAIN ALL COMMON LAW, STATUTORY AND OTHER RESERVED RIGHTS, INCLUDING THE COPYRIGHT THEREIN.

Order Plans @

WWW.LDILine.com

**progressive | ae**

PROGRESSIVE ARCHITECTURE ENGINEERING, P.C.  
330 South Tryon Street, Suite 500 | Charlotte, NC 28202 | 704.731.8800 | www.progressiveae.com

**FOR CONSTRUCTION**

If this document is sealed and signed in a digital or electronic format and is received from someone other than the sealing professional identified in the document, you must contact the sealing professional in writing to validate the authenticity of the document. The sealing professional disclaims the seal and signature and shall not be liable for any liability associated with it where the authenticity of any digital or electronic seal or signature has not been validated in this manner.

**ISSUANCE**  
PERMIT SUBMITTAL 08/14/2020

NO.	DATE	DESCRIPTION
1		

FILE NUMBER 86560010  
PROJECT MANAGER DRG  
PROFESSIONAL JRD  
DRAWN BY DRG  
CHECKED BY DS

**SITE DETAILS**

G2