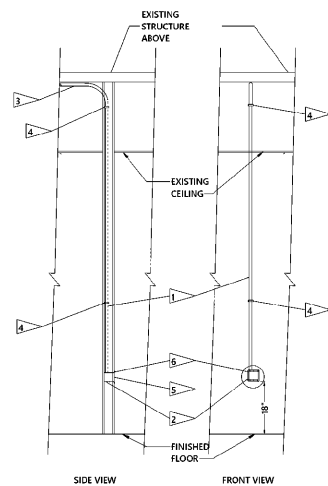
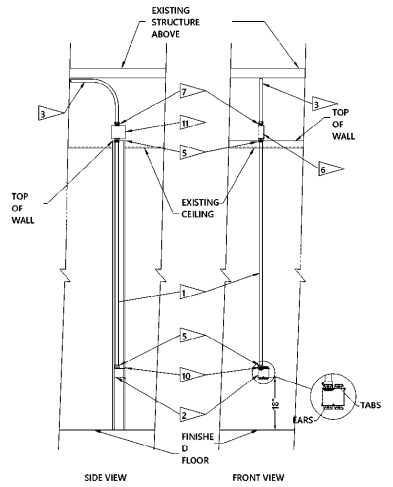


ISSUE DATE	08/24/2020	
PHASE	Bid Set	
#	DATE	REVISION



2 FLUSH MOUNTED OUTLET - NEW CONSTRUCTION
NOT TO SCALE

- KEYNOTES:**
- 1" EMT CONDUIT INSIDE GYPSUM BOARD AND METAL STUD WALLS.
 - RACO 4" SQUARE BOX 2-1/8" DEEP WITH 1" K.O.'S. STEEL BOX MUST BE MOUNTED LEVEL AND PERPENDICULAR TO WALL. AS THE FACEPLATE MOUNTING "CANNOT" BE ADJUSTED TO COMPENSATE, PROVIDE PULL STRING FROM OUTLET TO WIREWAY. SECURE AT BOTH ENDS.
 - 1" EMT CONDUIT TO NEW WIREWAY LOCATED IN HALLWAY CEILING SPACE. ROUTE ABOVE EXISTING ACOUSTIC CEILING TILE OR TIGHT TO FIXED TILE CEILING AND SUPPORT AS REQUIRED.
 - RACO #2084 ONE HOLE EMT STRAP AS REQUIRED (TYPICAL).
 - RACO 779 SQUARE CORNERED TILE WALL COVER (PLASTER RING) FOR 4" SQUARE BOX DOUBLE DEVICE CAPACITY, RAISED 3/4" STEEL. MOUNT ONTO FRONT OF OUTLET BOX.
 - THE FRONT SURFACE OF THE BOX IS TO SET BACK NO MORE THAN 1/8" FROM THE SURFACE OF THE GYPSUM BOARD. THE GAP BETWEEN THE GYPSUM BOARD AND THE BOX IS NOT TO EXCEED 1/8".
- GENERAL NOTES:**
1. CEILING HEIGHT MAY VARY FROM ROOM TO ROOM.
 2. USE COMPRESSION COUPLINGS AND CONNECTORS FOR EMT CONDUIT.
 3. ALL BOXES AND PLASTER RINGS TO BE MOUNTED SUCH THAT SCREW HOLES ARE AT TOP AND BOTTOM OF BOX IN ORDER FOR FACEPLATES TO BE MOUNTED VERTICALLY.
 4. NO MORE THAN TWO (2) 90 DEGREE TURNS SHALL EXIST BETWEEN BOXES OR BETWEEN JUNCTION BOXES AND END OF CONDUIT. NO "LB" TYPE JOINTS WILL BE ALLOWED.



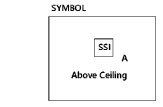
3 FLUSH MOUNTED OUTLET - RETROFIT
NOT TO SCALE

- KEYNOTES:**
- 1" FLEX CONDUIT INSIDE GYPSUM BOARD AND METAL STUD WALLS.
 - STEEL CITY #CV-3/4", 2nd 1-1/2" DEEP OUTLET BOX W/ 3/4" K.O. (TWO BOXES TO BE GANGED TOGETHER, AND 3/4" K.O. TO BE DRILLED OUT TO A 1" K.O. IN BACK HOLE ON TOP OF BOX. BOX MUST BE MOUNTED LEVEL AS THE FACEPLATE MOUNTING "CANNOT" BE ADJUSTED TO COMPENSATE. PROVIDE PULL STRING FROM OUTLET TO WIREWAY. SECURE AT BOTH ENDS.
 - ALLOWED 1" EMT CONDUIT TO NEW WIREWAY LOCATED IN HALLWAY CEILING SPACE. ROUTE ABOVE EXISTING ACOUSTIC CEILING TILE OR TIGHT TO FIXED TILE CEILING AND SUPPORT AS REQUIRED.
 - RACO #2084 ONE HOLE EMT STRAP AS REQUIRED (TYPICAL).
 - MADISON ML-42-3 1" STRAIGHT SQUEEZE TYPE BOX CONNECTOR FOR 1" FLEX CONDUIT.
 - 1" RIGID CONDUIT COUPLING (2" LONG).
 - RACO #2984 1" EMT COMPRESSION TYPE CONNECTOR.
 - CUT HOLE IN GYPSUM BOARD ABOVE CEILING AS REQUIRED FOR CONDUIT/FLEX INSTALLATION. FIRESTOP FIRE-RATED CONSTRUCTION IN ACCORDANCE WITH THE UL-LISTED THROUGH PENETRATION FIRESTOP DETAILS SHOWN ON THE DRAWINGS. FIRESTOP NON-FIRE-RATED CONSTRUCTION IN ACCORDANCE WITH THE N.C. STATE BUILDING CODE. SEE UL PENETRATION DETAILS, FIRESTOPPING DETAIL SHEET.
 - FLEX CONDUIT MUST BE ATTACHED TO WALL WITH CONDUIT STRAP WHEN FLEX ENTERS THE WALL.
 - THE FRONT SURFACE OF THE BOX IS TO SET BACK NO MORE THAN 1/8" FROM THE SURFACE OF THE WALL. THE GAP IN THE WALL AROUND THE BOX IS NOT TO EXCEED 1/8".
 - RACO #258 J-BOX W/ RACO #812 BLANK COVER PLATE. ANCHOR BOX SECURELY TO TOP OF WALL.
- GENERAL NOTES:**
1. CEILING HEIGHT MAY VARY FROM ROOM TO ROOM.
 2. USE COMPRESSION COUPLINGS AND CONNECTORS FOR EMT CONDUIT.
 3. ALL BOXES TO BE MOUNTED SUCH THAT SCREW HOLES OR INSTALL KITS ARE AT TOP AND BOTTOM OF BOX IN ORDER FOR INSTALL KITS TO BE MOUNTED VERTICALLY. THIS MAY REQUIRE DRILLING A NEW HOLE IN OUTLET BOX FOR CONDUIT PENETRATION.
 4. NO MORE THAN TWO (2) 90 DEGREE TURNS SHALL EXIST BETWEEN BOXES OR BETWEEN JUNCTION BOXES AND END OF CONDUIT. NO "LB" TYPE JOINTS WILL BE ALLOWED.
 - FOR FLUSH MOUNTED OUTLETS - ADJUST "EARS" OF BOTH BOXES SO THAT BOX SETS BACK FROM SURFACE OF WALL. WHEN CUTTING GYP. BOARD FOR BOX NOTCH FOR BOX AND NOTCH FOR TABS SO THAT BOX WILL SET BACK FROM SURFACE OF WALL. MAINTAIN NEC 370-21 REQUIREMENT.
 - PROVIDE PULL STRINGS BETWEEN PULLING POINTS. SECURE AT BOTH ENDS.

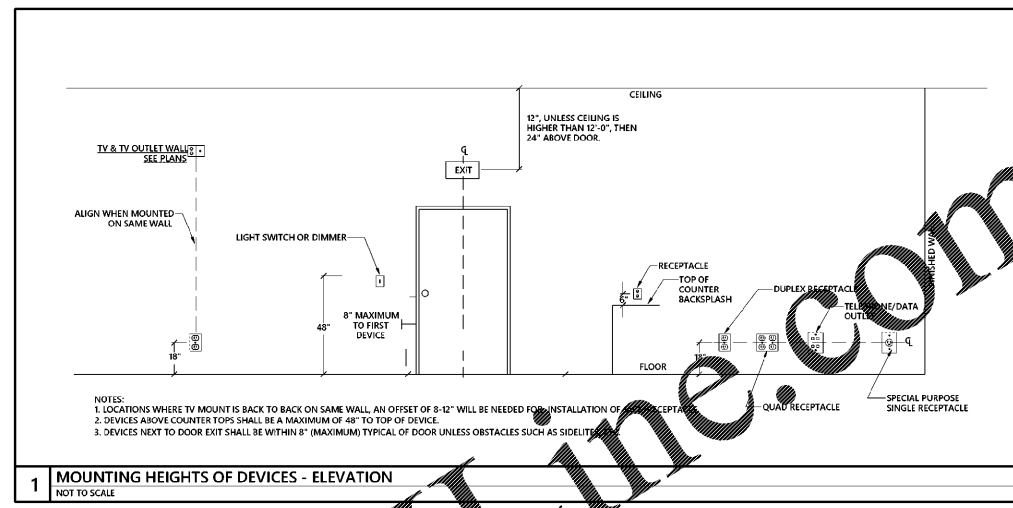
5 SURFACE MOUNTED TELEDATA OUTLET
NOT TO SCALE

- KEYNOTES:**
- 1 RACO #258 J-BOX W/ RACO #832 BLANK COVER PLATE.
 - 1" EMT CONDUIT TO NEW WIREWAY LOCATED IN HALLWAY CEILING SPACE. ROUTE ABOVE EXISTING ACOUSTIC CEILING TILE OR TIGHT TO FIXED TILE CEILING AND SUPPORT AS REQUIRED.
 - RACO #2084 ONE HOLE EMT STRAP AS REQUIRED (TYPICAL).
 - WIREMOLD V-2444-2 TWO GANG SURFACE MOUNTED OUTLET BOX. PROVIDE PULL STRING FROM OUTLET TO WIREWAY. SECURE AT BOTH ENDS.
 - 1" EMT CONDUIT SURFACE MOUNTED. RUN CONDUIT TIGHT TO WALL WITH BOX OFFSETS AT JUNCTION BOXES AND OUTLET BOX.
 - RACO #2904 1" EMT COMPRESSION TYPE CONNECTOR.
- GENERAL NOTES:**
1. CEILING HEIGHT MAY VARY FROM ROOM TO ROOM.
 2. USE COMPRESSION COUPLINGS AND CONNECTORS FOR EMT CONDUIT.
 3. ALL BOXES TO BE MOUNTED SUCH THAT SCREW HOLES FOR INSTALL KITS ARE AT TOP AND BOTTOM OF BOX IN ORDER FOR INSTALL KITS TO BE MOUNTED VERTICALLY. THIS MAY REQUIRE DRILLING A NEW HOLE IN OUTLET BOX FOR CONDUIT PENETRATION.
 4. NO MORE THAN TWO (2) 90 DEGREE TURNS SHALL EXIST BETWEEN BOXES OR BETWEEN JUNCTION BOXES AND END OF CONDUIT. NO "LB" TYPE JOINTS WILL BE ALLOWED.
 5. FIRESTOP FIRE-RATED CONSTRUCTION IN ACCORDANCE WITH THE UL-LISTED THROUGH PENETRATION FIRESTOP DETAILS SHOWN ON THE DRAWINGS. FIRESTOP NON-FIRE-RATED CONSTRUCTION IN ACCORDANCE WITH THE N.C. STATE BUILDING CODE. SEE UL PENETRATION DETAILS, FIRESTOPPING DETAIL SHEET.
 6. PROVIDE PULL STRINGS BETWEEN PULLING POINTS. SECURE AT BOTH ENDS.

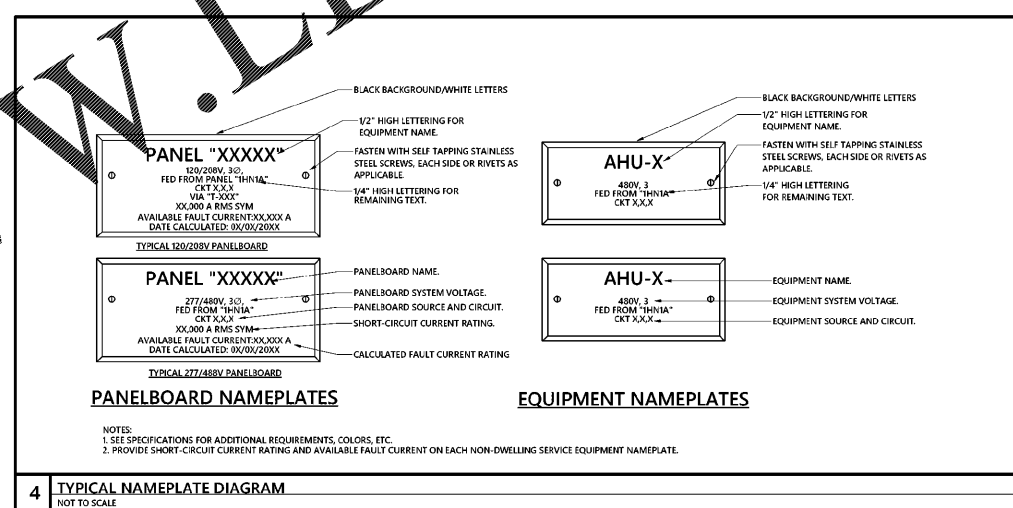
5 SURFACE MOUNTED TELEDATA OUTLET
NOT TO SCALE



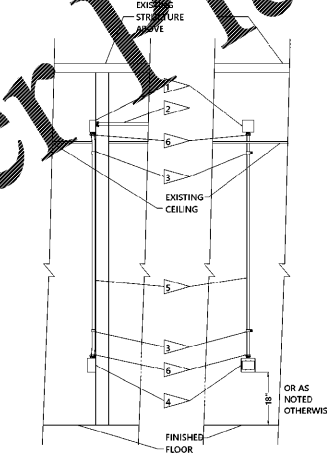
6 SECURITY INTERFACE OUTLET - SSI A
NOT TO SCALE



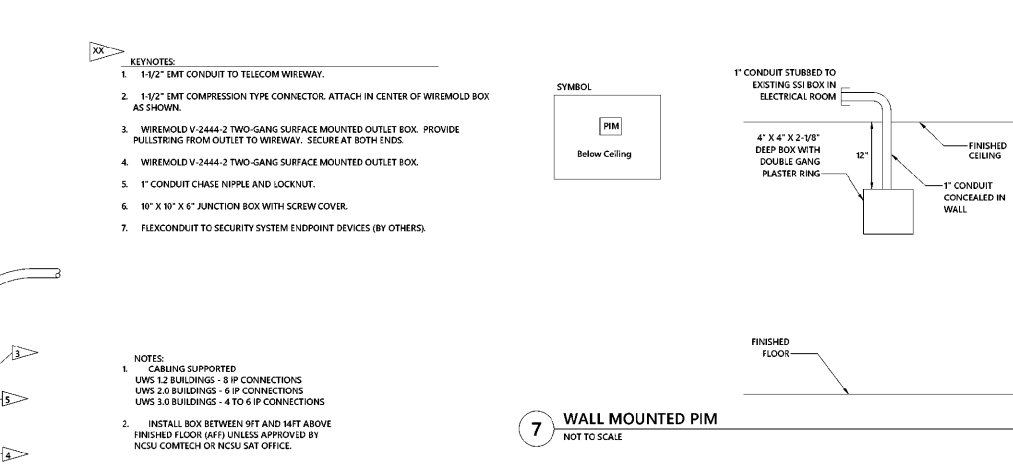
1 MOUNTING HEIGHTS OF DEVICES - ELEVATION
NOT TO SCALE



4 TYPICAL NAMEPLATE DIAGRAM
NOT TO SCALE



5 SURFACE MOUNTED TELEDATA OUTLET
NOT TO SCALE



7 WALL MOUNTED PIM
NOT TO SCALE

Order Plans

WWW.LDILINE.COM