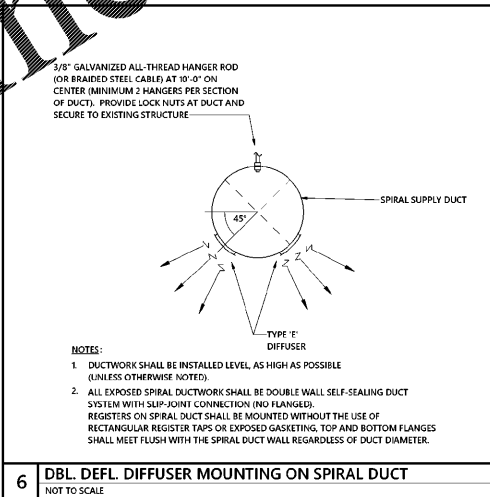
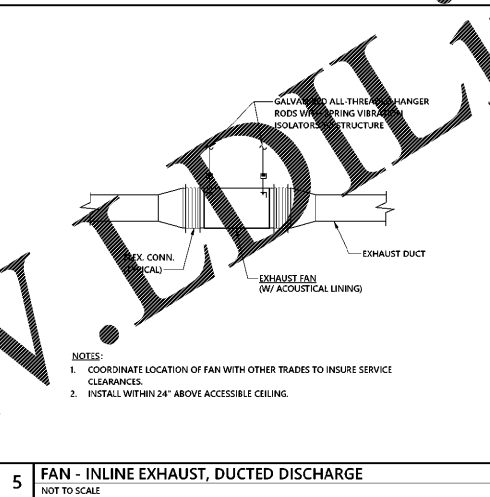
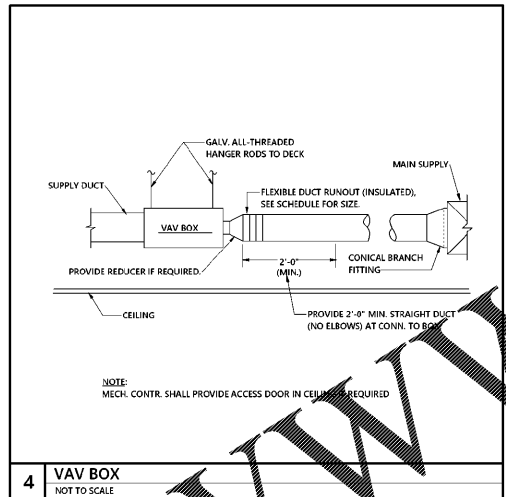
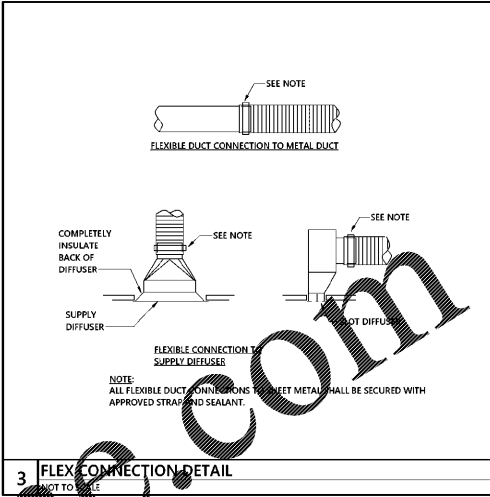
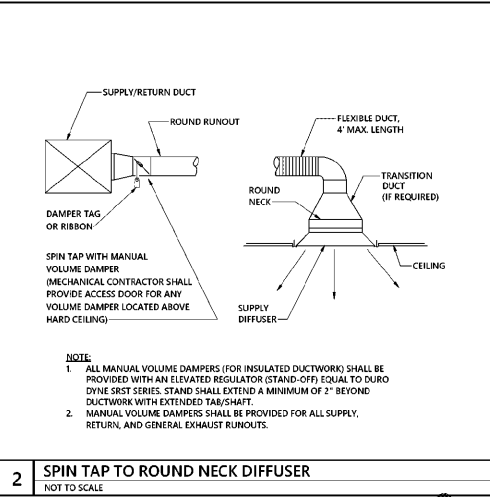
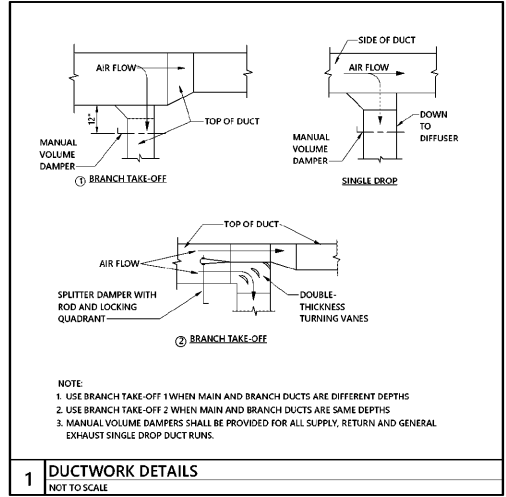




ISSUE DATE	08/24/2020	
PHASE	Bid Set	
#	DATE	REVISION

DUCTWORK
DETAILS

M5.01



Order Plans @ www.eddilling.com