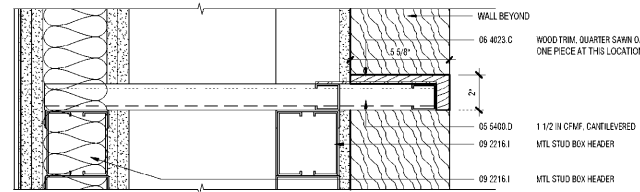
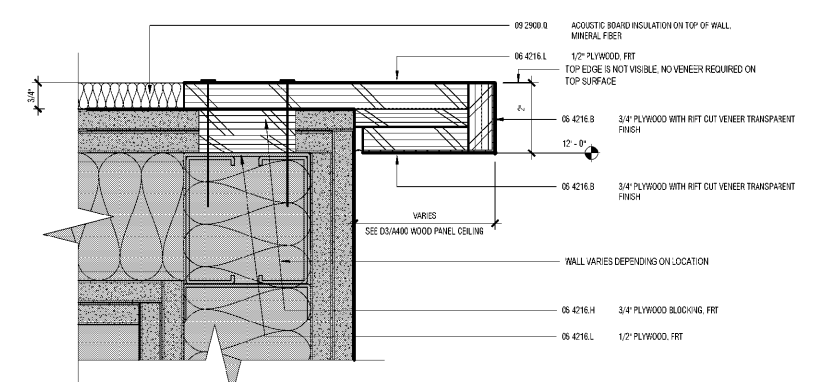


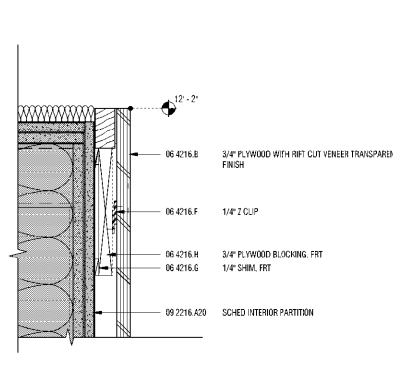
These drawings are the property of Watson Tate Savory, Inc. and may not be used in whole or in part without written consent of the architect and any other parties. It is subject to legal action.  
 BIM 360://NCSU Jordan Hall/1911 NCSU Jordan Hall - A19.rvt  
 6/21/2024 4:43:05 PM



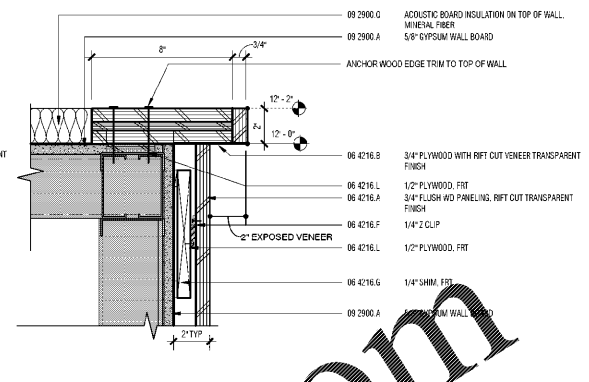
**E1 SECTION DETAIL - WD SHELF**  
3" = 1'-0"



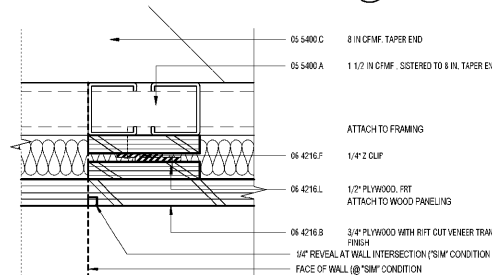
**E3 SECTION DETAIL AT WOOD EDGE/CEILING**  
6" = 1'-0"



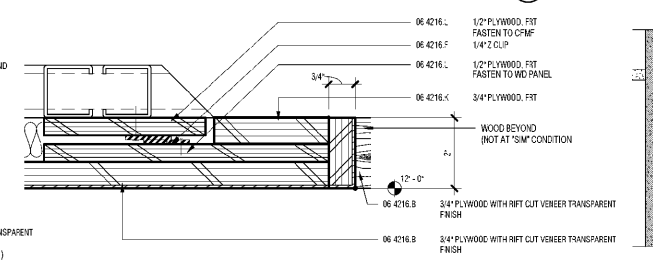
**E4 SECTION DETAIL - WD PANELING**  
3" = 1'-0"



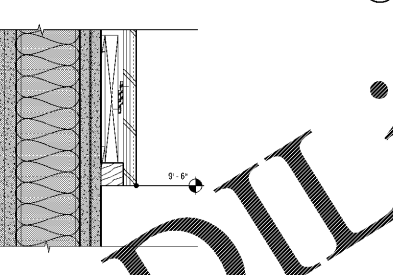
**E6 SECTION DETAIL - WALL PANELING HEAD**  
3" = 1'-0"



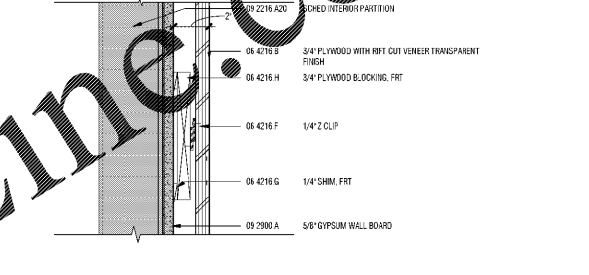
**D2 SECTION DETAIL - WD CLG SUPPORT**  
6" = 1'-0"



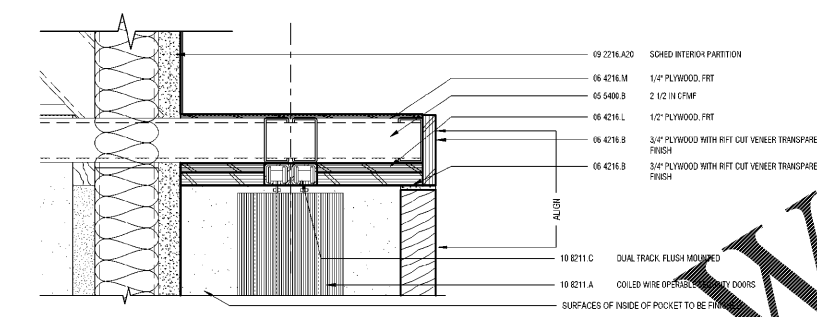
**D3 SECTION DETAIL - WD EDGE**  
6" = 1'-0"



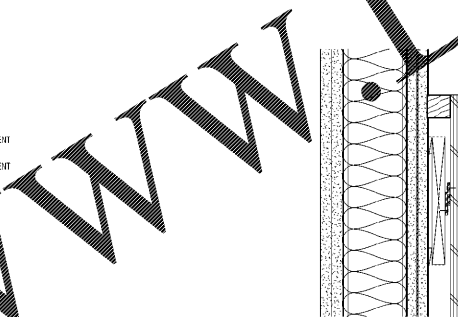
**Detail 4**  
3" = 1'-0"



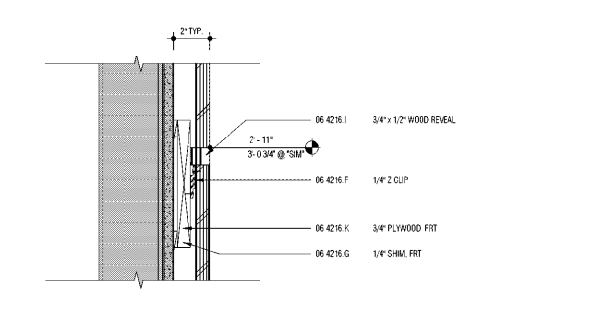
**D6 SECTION DETAIL - WD PANELING**  
3" = 1'-0"



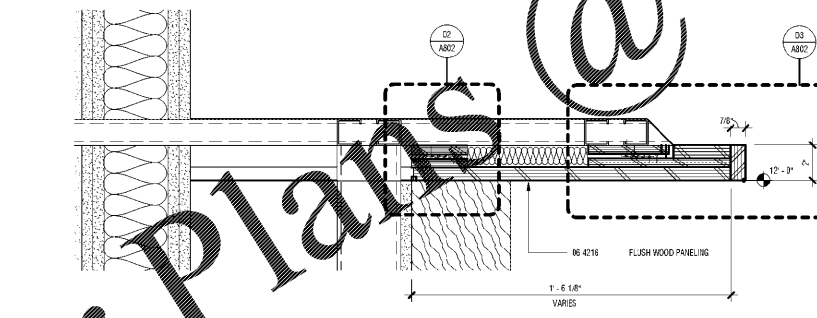
**D2 SECTION DETAIL - CAFE SECURITY SCREEN POCKET/TRACK HEAD**  
3" = 1'-0"



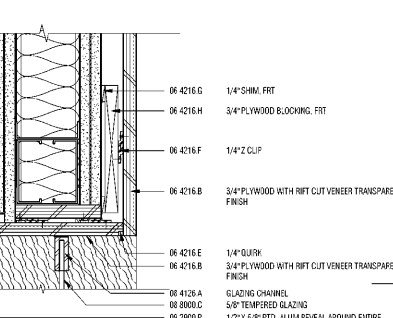
**Detail 5**  
3" = 1'-0"



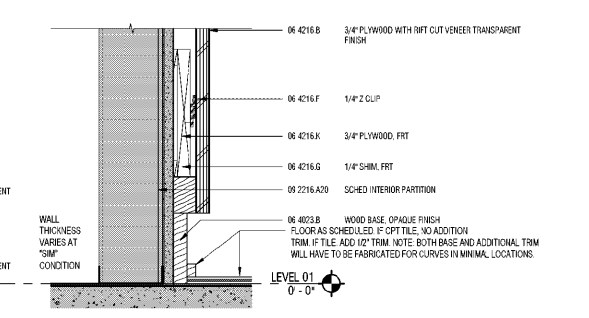
**D6 SECTION DETAIL - WD PANELING**  
3" = 1'-0"



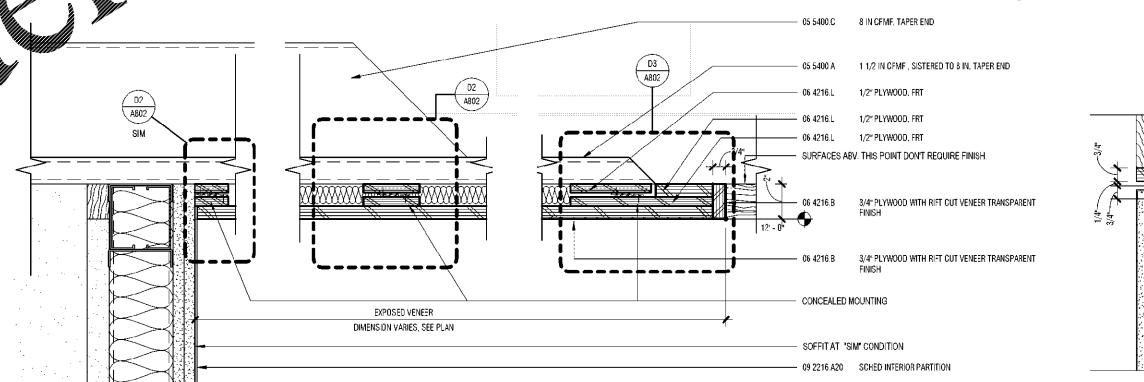
**D2 SECTION DETAIL LOBBY CLG**  
3" = 1'-0"



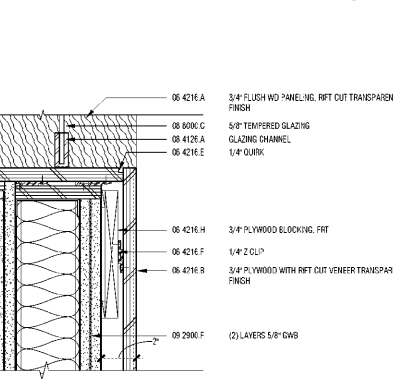
**D1 SECTION DETAIL - WD PANELING**  
3" = 1'-0"



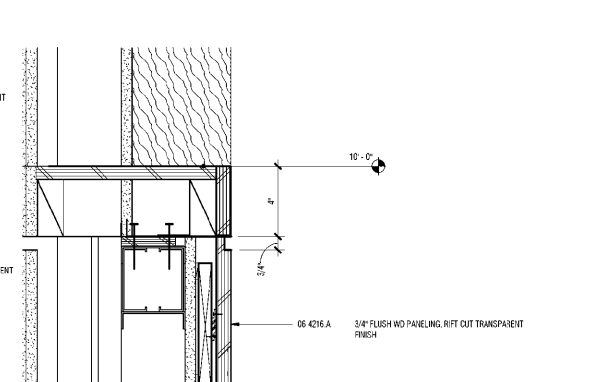
**D6 SECTION DETAIL - WD PANELING**  
3" = 1'-0"



**D2 SECTION DETAIL - WOOD CEILING**  
3" = 1'-0"



**D1 SECTION DETAIL - WD PANELING**  
3" = 1'-0"



**1 SECTION DETAIL AT LOBBY1 - Callout 1**  
3" = 1'-0"

Order Plans @ www.LDILine.com

**ARCHITECTURE**  
**INTERIORS**  
**PLANNING**

**WTS**  
 WATSON TATE SAVORY

**NC STATE**  
 UNIVERSITY

LIBRARY RENOVATION - JORDAN HALL  
 N.C. STATE UNIVERSITY  
 RALEIGH, NC

WATSON TATE SAVORY INC.  
 9484  
 WATSON TATE SAVORY INC.  
 52701  
 CHARLOTTE, NC

ISSUE DATE: 08/24/2020  
 PHASE: BID SET

#	DATE	REVISION

**MILLWORK**  
**DETAILS**

19-20653  
 STATE PROJECT NO.  
 NCSU #2015Z0018  
 A/E PROJECT NO.  
 058  
 NCSU FACILITIES NO. SHEET

**A802**