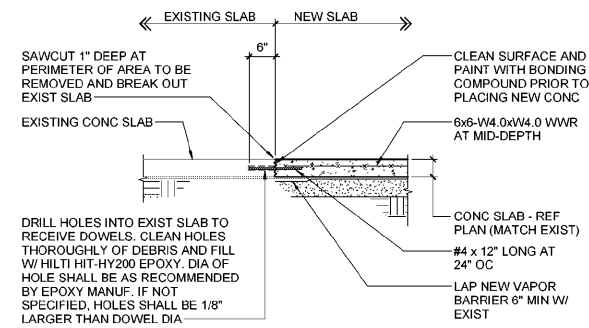
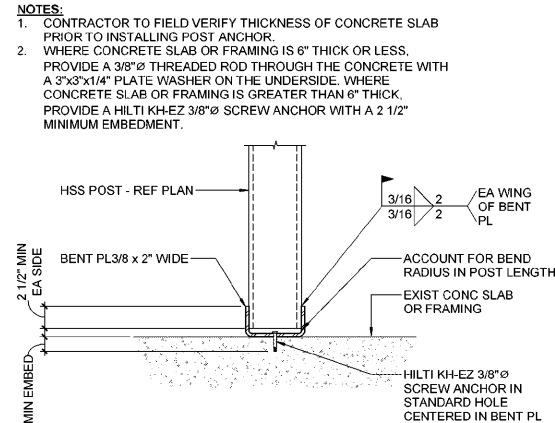


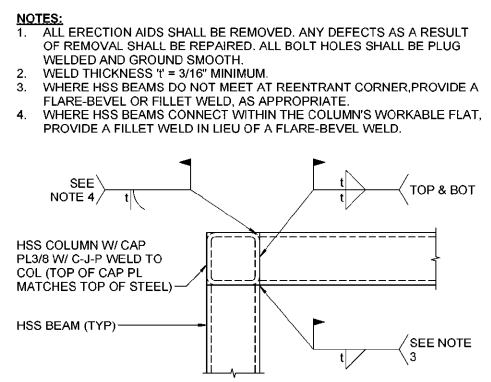
These drawings are the property of Watson Tate Savory, Inc. and may not be used in whole or in part without written consent of the architect and any engineer. It is subject to legal action.



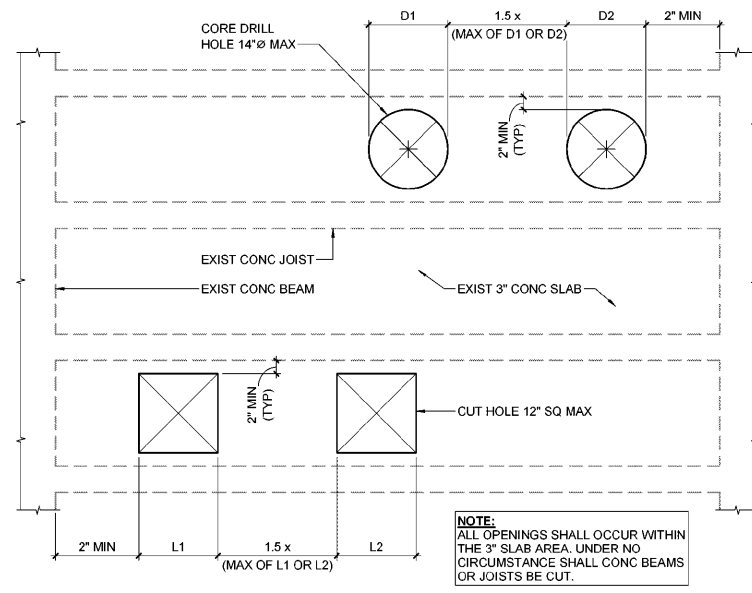
TYPICAL SLAB-ON-GRADE REMOVAL AND REPLACEMENT DETAIL
NTS



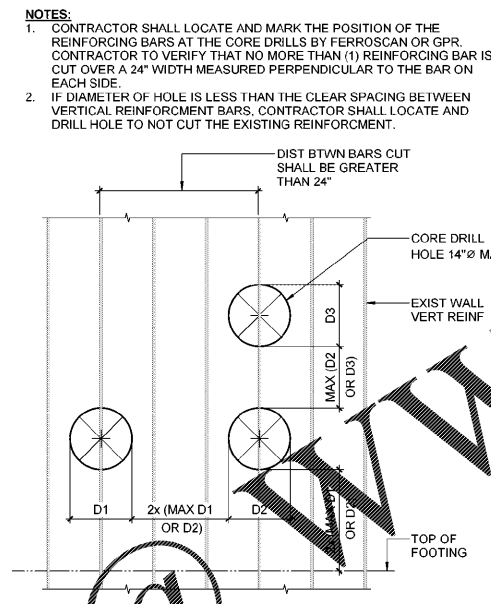
TYPICAL POST ANCHORAGE DETAIL
NTS



TYPICAL HSS BEAM TO HSS COLUMN CONNECTION DETAIL
NTS



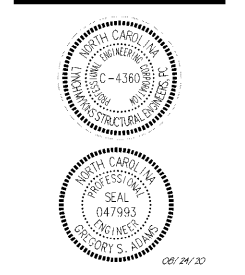
TYPICAL OPENINGS IN ELEVATED CONCRETE SLAB DETAIL
NTS



TYPICAL OPENINGS IN CONCRETE WALL DETAIL
NTS

Order Plans @

WWW.LDILine.com



ISSUE DATE:	08/24/2020	
PHASE:	BID SET	
#	DATE	REVISION

8/10/2020 11:53:56 AM C:\02 - Revit Local Files\STC_MCSU Jordan Hall_R19_0820.rvt