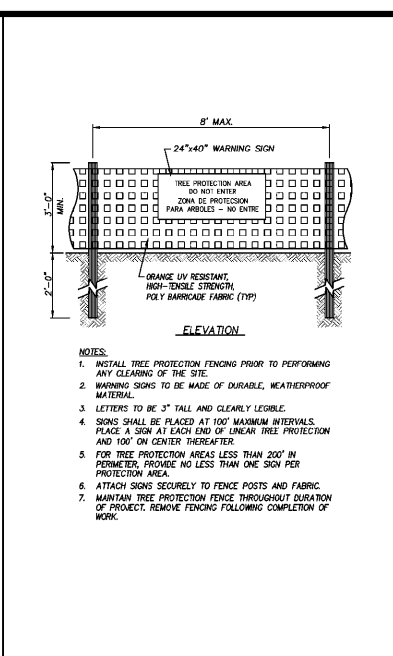


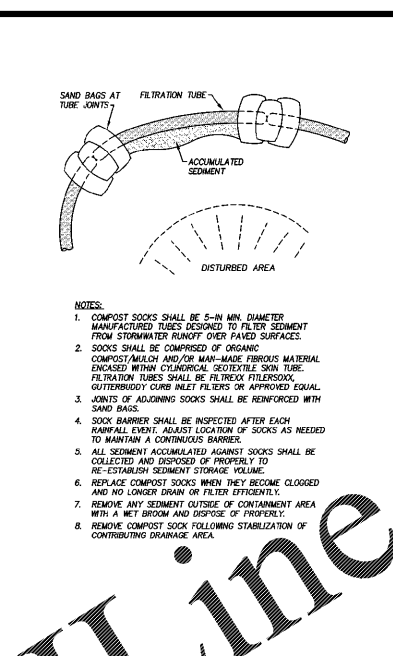
These drawings are the property of Watson Tate Savory, Inc. and may not be used in whole or in part without written consent of the architect and any management, is subject to legal action.

U
D
C
B
A
1
2
3
4
5
6

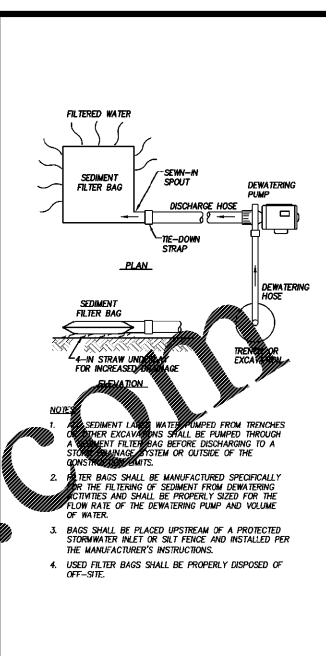
Order Plans @ WWW.IDIline.com



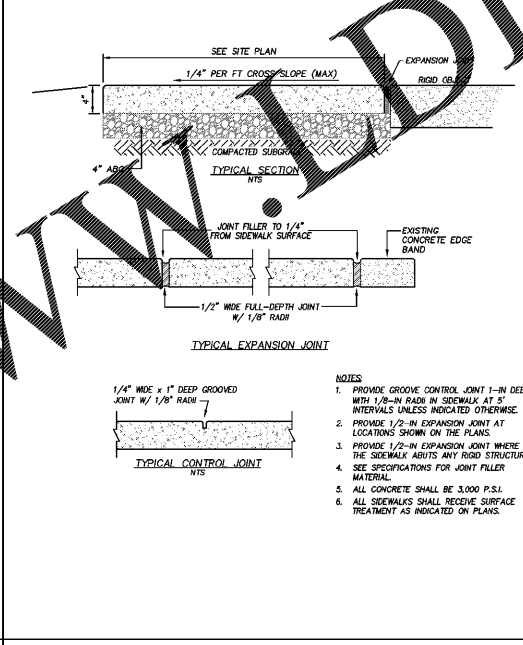
TREE PROTECTION FENCE N.T.S.



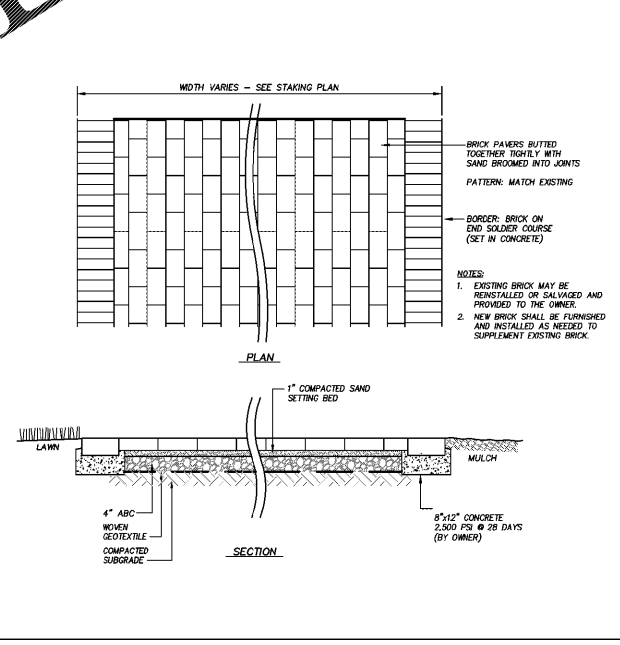
TEMPORARY COMPOST SOCK N.T.S.



DEWATERING SEDIMENT FILTER BAG N.T.S.



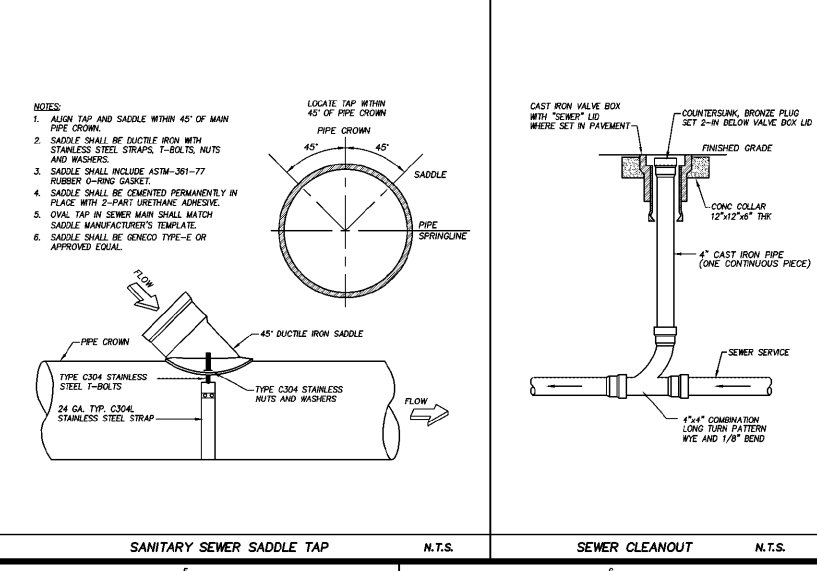
CONCRETE SIDEWALK AND PAVEMENT N.T.S.



BRICK PAVEMENT N.T.S.

SEEDING AND PLANTING PREPARATION NOTES											
<p>SURFACE STABILIZATION REQUIREMENTS</p> <ol style="list-style-type: none"> PERMANENT OR TEMPORARY GROUND COVER SHALL BE PROVIDED BY THE CONTRACTOR OVER ALL DISTURBED AREAS OF THE SITE AS SOON AS POSSIBLE, HOWEVER, NO LATER 14 DAYS AFTER CONSTRUCTION ACTIVITIES HAVE PERMANENTLY OR TEMPORARILY CEASED DURING ANY PHASE OF WORK. TEMPORARY OR PERMANENT GROUND COVER SHALL BE PROVIDED ON ALL SLOPES WITHIN 14 DAYS AFTER CONSTRUCTION ACTIVITIES PERMANENTLY OR TEMPORARILY CEASED. USE EROSION MATING OR OTHER APPROVED CHANNEL LINING MATERIAL TO COVER THE BOTTOM OF CHANNELS. APPLY 4000 LB/ACRE GRAM STRAW OVER SEEDED AREAS AND ANCHOR STRAW CRUMPS, ASPHALT TACKING OR OTHER APPROVED METHOD. MULCH AND ANCHORING MATERIALS MUST NOT BE ALLOWED TO WASH DOWN SLOPES AND CLOG DRAINAGE DEVICES. <p>LIME & FERTILIZATION SCHEDULE</p> <p>APPLY LIME AND FERTILIZER ACCORDING TO SOIL TESTS, OR APPLY A MINIMUM 3,000 LB/ACRE GROUND AGRICULTURAL LIMESTONE AND A MINIMUM 500 LB/ACRE 10-10-10 FERTILIZER, AS NEEDED TO ESTABLISH REQUIRED COVERAGE.</p> <p>MAINTENANCE REQUIREMENTS</p> <p>CONTRACTOR SHALL BE RESPONSIBLE FOR TEMPORARY SEEDING MAINTENANCE (PER SPECIFICATIONS) UNTIL FINAL ACCEPTANCE OR OWNER'S INSTALLATION OF PERMANENT SEEDING.</p>											
<p>SEEDBED PREPARATION</p> <ol style="list-style-type: none"> CHISEL ALL CUT GRADED OR COMPACTED AREAS TO A MINIMUM DEPTH OF 8". DISC ALL AREAS TO RESEED GRASS TO A MINIMUM OF 8 INCHES, MIX AND AMEND WITH 3 INCHES OF WELL SIEVED TOPSOIL. ON-SITE TOPSOIL MAY BE USED IN PLACE OF IMPORTED TOPSOIL, IF WELL-SCREENED AND DRY PRIOR TO APPLICATION. REMOVE ALL LOOSE ROCK ROOTS AND OTHER OBSTRUCTIONS LEAVING SURFACE REASONABLY SMOOTH AND UNIFORM. APPLY AGRICULTURAL LIME, FERTILIZER, AND PHOSPHATE UNIFORMY AS PER SPECIFICATIONS AND MIX WELL WITH SOIL. CONTINUE TILLAGE UNTIL A WELL-PULVERIZED, FIRM, REASONABLY UNIFORM SEEDBED IS PREPARED TO A 6 INCHES DEPTH. SEED AT RATE SPECIFIED OR AS NEEDED TO ADHERE AND MAINTAIN A THICK HEALTHY GROUND COVERAGE. MULCH IMMEDIATELY AFTER SEEDING AND ANCHOR MULCH. BEGIN THOROUGH WATERING OF GRASSSED AREAS IMMEDIATELY UPON INSTALLATION. DO NOT ALLOW GRASSSED AREAS TO BECOME EXCESSIVELY DRY. INSPECT ALL SEEDED AREAS AND MAKE NECESSARY REPAIRS OR RESEEDINGS AS NEEDED. <p>TEMPORARY SEEDING SCHEDULE</p> <table border="1"> <thead> <tr> <th>DATE</th> <th>TYPE</th> <th>PLANTING RATE</th> </tr> </thead> <tbody> <tr> <td>AUG 15 - APR 15</td> <td>3-WAY TALL FESCUE BLEND AND WINTER RYE (GRASS)</td> <td>70 LBS./ACRE</td> </tr> <tr> <td>APR 15 - AUG 15</td> <td>3-WAY TALL FESCUE BLEND AND GERMAN MILLET *** OR SUDANGRASS (SMALL-STEMMED VAR.) ***</td> <td>120 LBS./ACRE 25 LBS./ACRE 30 LBS./ACRE</td> </tr> </tbody> </table> <p>*** TEMPORARILY - RESEED ACCORDING TO OPTIMUM SEASON FOR DESIRED PERMANENT VEGETATION. DO NOT ALLOW TEMPORARY COVER TO GROW OVER 12" IN HEIGHT BEFORE MOWING, OTHERWISE FESCUE MAY BE SHADED OUT.</p> <p>*** CONSULT CONSERVATION ENGINEER OR SOIL CONSERVATION SERVICE FOR ADDITIONAL INFORMATION CONCERNING OTHER ALTERNATIVES FOR VEGETATION OF DISTURBED AREAS. THE ABOVE VEGETATION RATES ARE THOSE WHICH DO WELL UNDER LOCAL CONDITIONS. OTHER SEEDING RATE COMBINATIONS ARE POSSIBLE.</p> <p>TOPSOIL</p> <ol style="list-style-type: none"> TOPSOIL IS TO BE PROVIDED AND INSTALLED BY THE CONTRACTOR PRIOR TO THE SITE BEING TURNED OVER TO NCSU FOR PLANTING. ALL AREAS THAT ARE DISTURBED AND ARE TO BE REPLANTED BY NCSU SHALL RECEIVE TOPSOIL AS INDICATED BELOW. TOPSOIL SHALL BE PREMIKED AND PRESCREENED PRIOR TO PLACING. TOPSOIL SHALL BE 3 PARTS SANDY-LOAM WITH A pH OF 5.5-6.5 RANGE AND 1 PART COMPOSTED FINE BARK ORGANIC MATERIAL. A MINIMUM OF 3" TOPSOIL SHALL BE APPLIED IN DISTURBED AREAS TO BE PLANTED, SEEDED, SOULDED OR MULCHED (WITHOUT PLANTS) BY THE OWNER. 			DATE	TYPE	PLANTING RATE	AUG 15 - APR 15	3-WAY TALL FESCUE BLEND AND WINTER RYE (GRASS)	70 LBS./ACRE	APR 15 - AUG 15	3-WAY TALL FESCUE BLEND AND GERMAN MILLET *** OR SUDANGRASS (SMALL-STEMMED VAR.) ***	120 LBS./ACRE 25 LBS./ACRE 30 LBS./ACRE
DATE	TYPE	PLANTING RATE									
AUG 15 - APR 15	3-WAY TALL FESCUE BLEND AND WINTER RYE (GRASS)	70 LBS./ACRE									
APR 15 - AUG 15	3-WAY TALL FESCUE BLEND AND GERMAN MILLET *** OR SUDANGRASS (SMALL-STEMMED VAR.) ***	120 LBS./ACRE 25 LBS./ACRE 30 LBS./ACRE									

SEEDING AND PLANTING PREPARATION NOTES N.T.S.



SANITARY SEWER SADDLE TAP N.T.S.

ARCHITECTURE
INTERIORS
PLANNING

WTS
WATSON TATE SAVORY

NC STATE UNIVERSITY

CLH DESIGN

CLH Design, PA
500 Gregory Forest Dr.
Suite 1207 Forest Dr.
Cary, NC 27511
Phone: 919.319.8718
Fax: 919.319.7618
Lic. 0-106, PE 6-1988

LIBRARY RENOVATION - JORDAN HALL
N.C. STATE UNIVERSITY
RALEIGH, NC



ISSUE DATE: 08.24.2020
PHASE: Bid Set

#	DATE	REVISION

SITE DETAILS

19-20653
STATE PROJECT NO.
NCSU #201920018
AVE PROJECT NO.
058
NCSU FACILITIES NO. SHEET

C201