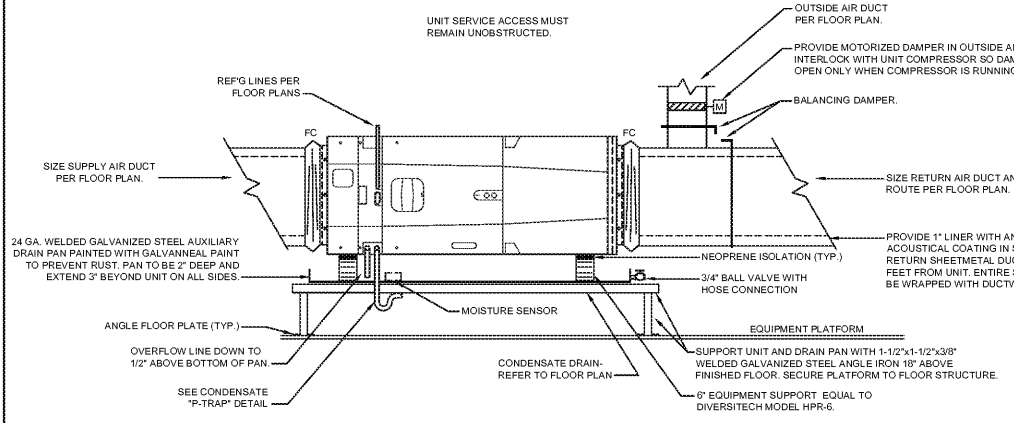
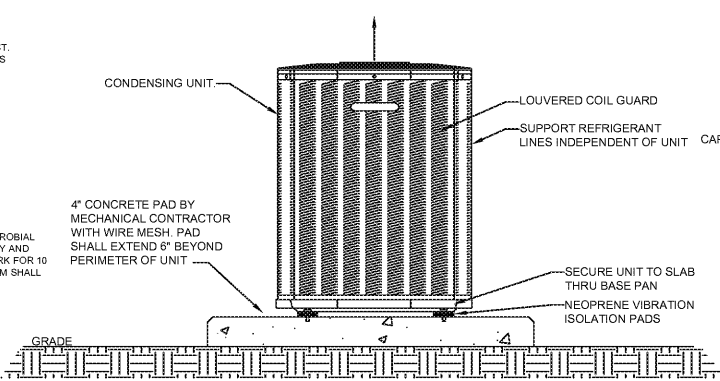


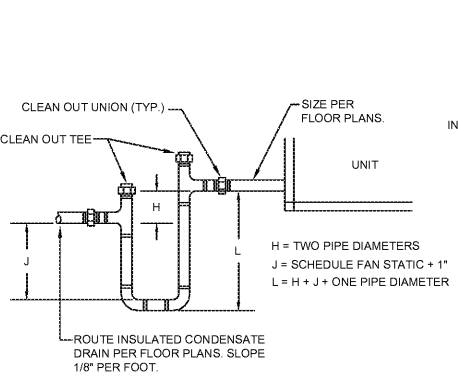
THIS DRAWING AND THE DESIGN SHOWN THEREON ARE THE PROPERTY OF JEFF LEWIS, AIA. THE REPRODUCTION, COPYING OR OTHER USE OF THIS DRAWING WITHOUT WRITTEN CONSENT OF JEFF LEWIS AIA IS PROHIBITED AND INFRINGEMENTS WILL BE SUBJECT TO LEGAL ACTION.



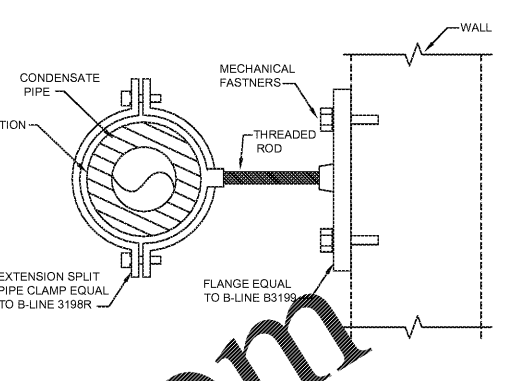
**HORIZONTAL AIR HANDLER DETAIL - WITH STAND**  
NO SCALE



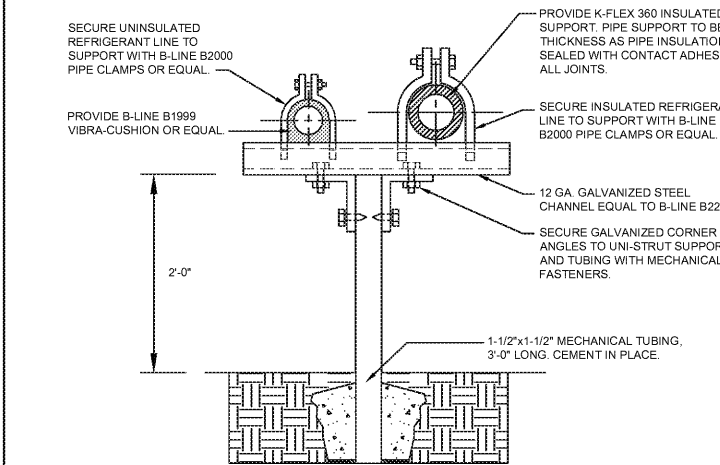
**CONDENSING UNIT SUPPORT DETAIL**  
NO SCALE



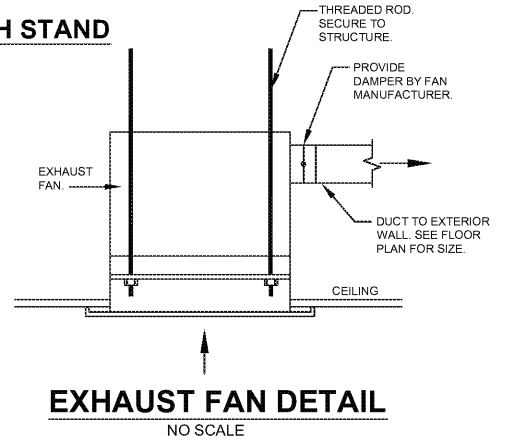
**CONDENSATE "P-TRAP" DETAIL**  
NO SCALE



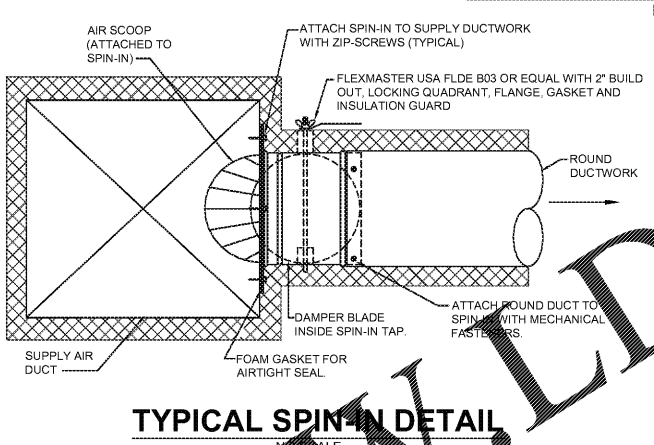
**PIPE SUPPORT STAND OFF DETAIL (WALL)**  
NO SCALE



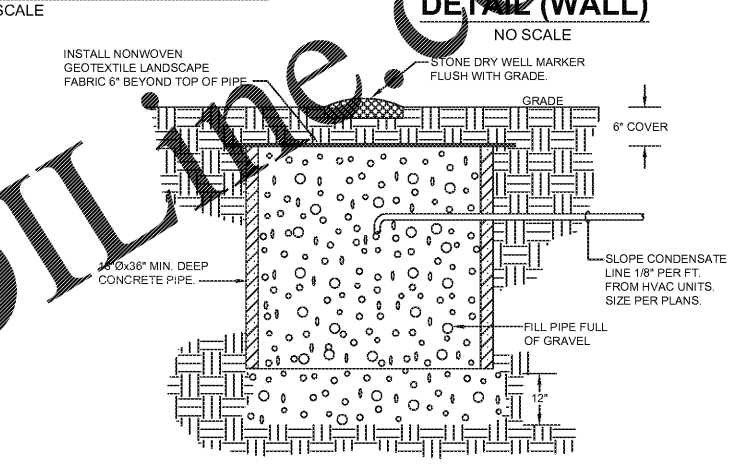
**REFRIGERANT PIPE SUPPORT DETAIL**  
NO SCALE



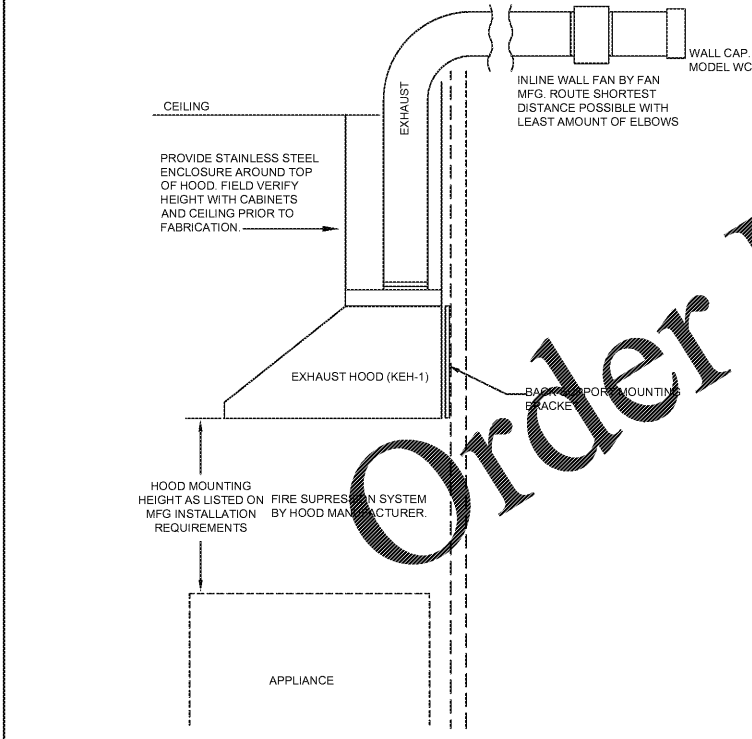
**EXHAUST FAN DETAIL**  
NO SCALE



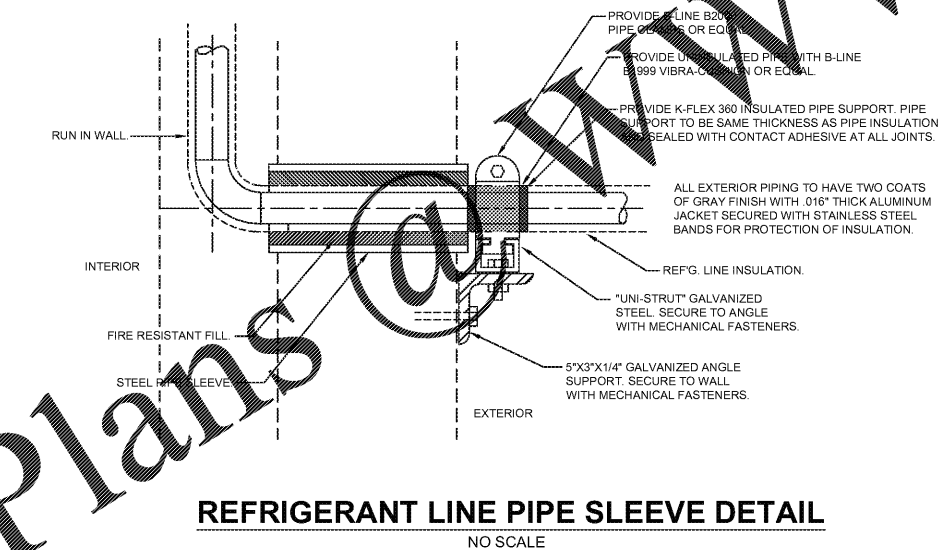
**TYPICAL SPIN-IN DETAIL**  
NO SCALE



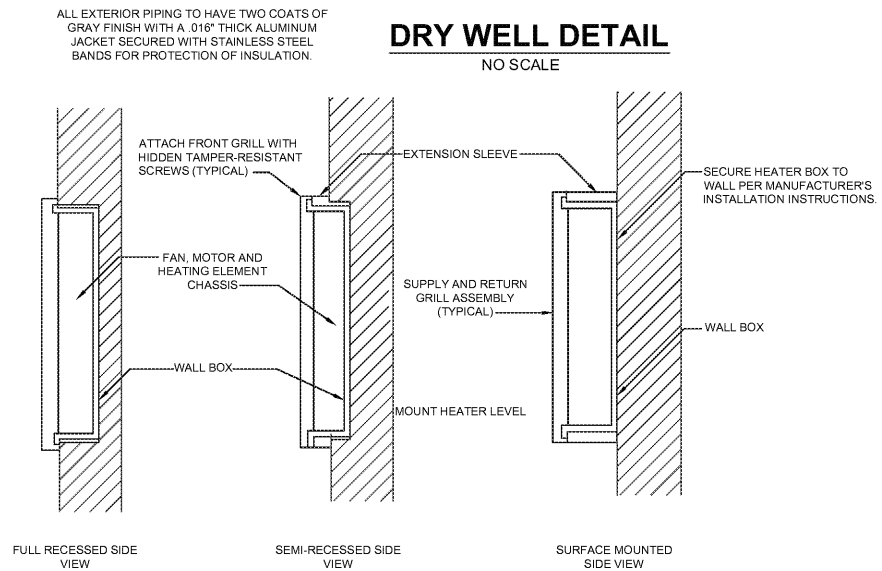
**DRY WELL DETAIL**  
NO SCALE



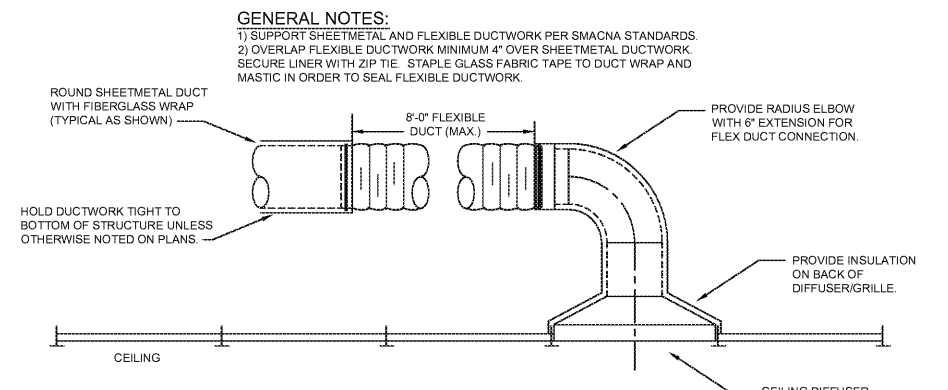
**BREAKROOM EXHAUST HOOD DETAIL**  
NO SCALE



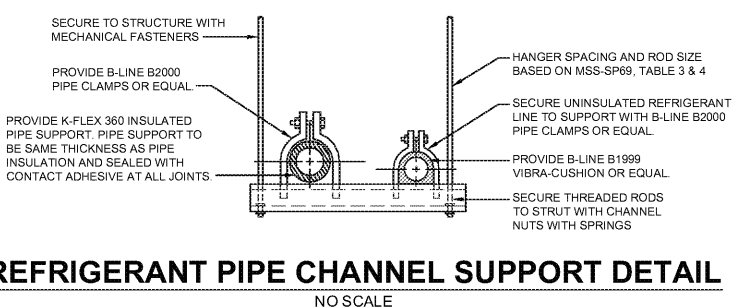
**REFRIGERANT LINE PIPE SLEEVE DETAIL**  
NO SCALE



**ELECTRIC WALL HEATER DETAIL**  
NO SCALE

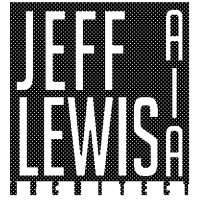


**TYPICAL ROUND DUCT RUNOUT DETAIL**  
NO SCALE



**REFRIGERANT PIPE CHANNEL SUPPORT DETAIL**  
NO SCALE

**GENERAL NOTES:**  
1) SUPPORT SHEETMETAL AND FLEXIBLE DUCTWORK PER SMACNA STANDARDS.  
2) OVERLAP FLEXIBLE DUCTWORK MINIMUM 4" OVER SHEETMETAL DUCTWORK. SECURE LINER WITH ZIP TIE. STAPLE GLASS FABRIC TAPE TO DUCT WRAP AND MASTIC IN ORDER TO SEAL FLEXIBLE DUCTWORK.



561 JACOBS MILL POND ROAD  
ELGIN, SOUTH CAROLINA 29045  
803.960.5026 / jlewis@jefflewis.com



LUGOFF FACILITY EXPANSION  
SANDHILLS MEDICAL FOUNDATION  
28 BALDWIN AVENUE  
LUGOFF, SOUTH CAROLINA 29078

REV.	DATE	DESCRIPTION

JOB #: 16-009-1 07.15.2019

**MECA**  
Mechanical Engineering  
Consulting Associates, Inc.

Columbia Office  
P.O. Box 50644  
Columbia, South Carolina  
Phone: (803) 765-9421

Designed: JAS  
Approved: PPC  
Job No: 116241L  
Plot Date: 08/21/2019

**M201**

MECHANICAL DETAILS